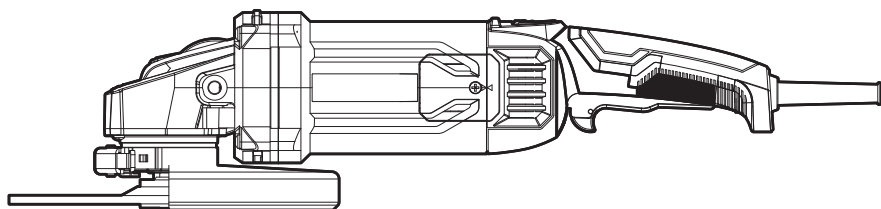


# **WORX**

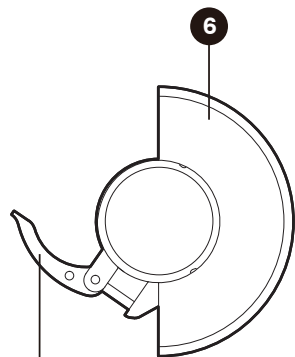
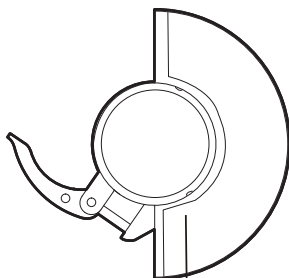
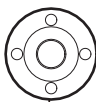
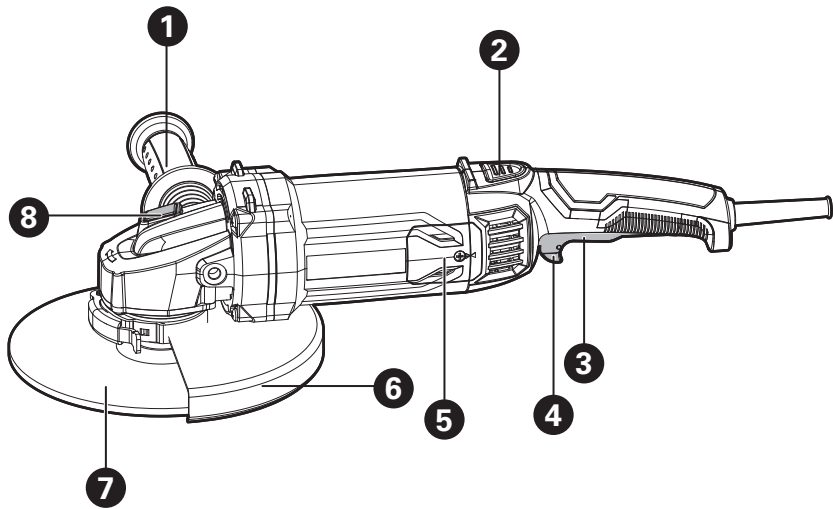


<b>Angle Grinder</b>	<b>EN</b>	<b>P07</b>
<b>Winkelschleifer</b>	<b>D</b>	<b>P14</b>
<b>Meuleuse d'angle</b>	<b>F</b>	<b>P22</b>
<b>Smerigliatrice angolare</b>	<b>I</b>	<b>P29</b>
<b>Amoladora angular</b>	<b>ES</b>	<b>P37</b>
<b>Rebarbadora angular</b>	<b>PT</b>	<b>P44</b>
<b>Haakse slijpmachine</b>	<b>NL</b>	<b>P52</b>
<b>Vinkelsliber</b>	<b>DK</b>	<b>P59</b>
<b>Vinkelslipestol</b>	<b>NOR</b>	<b>P66</b>
<b>Vinkelslip</b>	<b>SV</b>	<b>P73</b>
<b>Szlifierka kątowa</b>	<b>PL</b>	<b>P80</b>
<b>Τροχιστική μηχανή</b>	<b>GR</b>	<b>P87</b>
<b>Kézi sarokcsiszoló gép</b>	<b>HU</b>	<b>P95</b>
<b>Unghi polizor</b>	<b>RO</b>	<b>P103</b>
<b>Úhlová bruska</b>	<b>CZ</b>	<b>P110</b>
<b>Uhlová brúska</b>	<b>SK</b>	<b>P117</b>
<b>Kotni brusilnik</b>	<b>SL</b>	<b>P124</b>

**WX709 WX709.X**



<b>Original instructions</b>	<b>EN</b>
<b>Originalbetriebsanleitung</b>	<b>D</b>
<b>Notice originale</b>	<b>F</b>
<b>Istruzioni originali</b>	<b>I</b>
<b>Manual original</b>	<b>ES</b>
<b>Manual original</b>	<b>PT</b>
<b>Oorspronkelijke gebruiksaanwijzing</b>	<b>NL</b>
<b>Original brugsanvisning</b>	<b>DK</b>
<b>Opprinnelige Instruksjonene</b>	<b>NOR</b>
<b>Bruksanvisning i original</b>	<b>SV</b>
<b>Instrukcja oryginalna</b>	<b>PL</b>
<b>ΠΡΩΤΟΤΥΠΟ ΟΔΗΓΙΩΝ ΧΡΗΣΗΣ</b>	<b>GR</b>
<b>Eredeti használati utasítás</b>	<b>HU</b>
<b>Instrucțiuni originale</b>	<b>RO</b>
<b>Původní návod k používání</b>	<b>CZ</b>
<b>Pôvodný návod na použitie</b>	<b>SK</b>
<b>Izvirna navodila</b>	<b>SL</b>



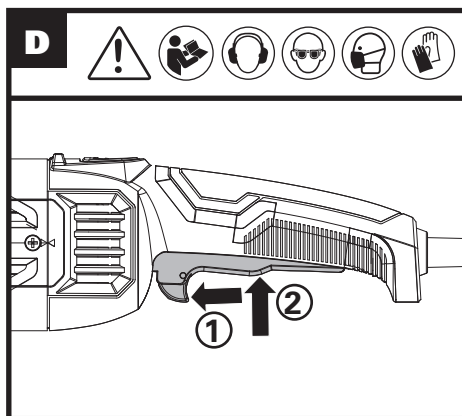
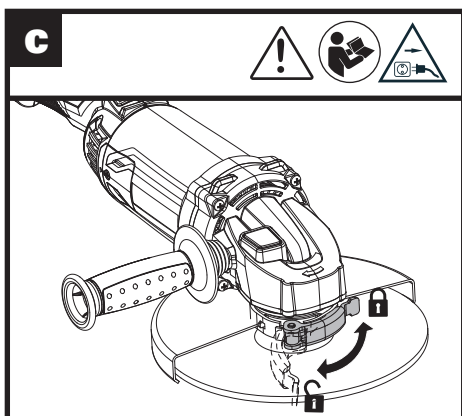
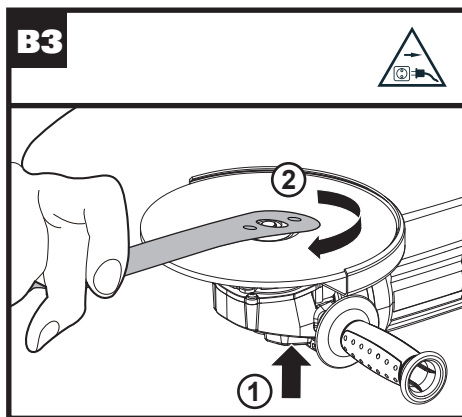
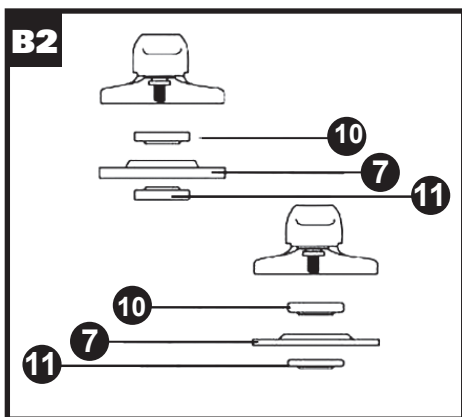
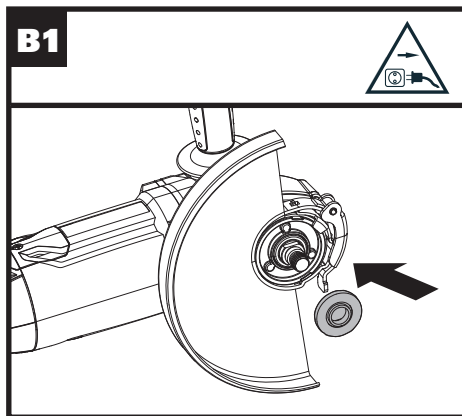
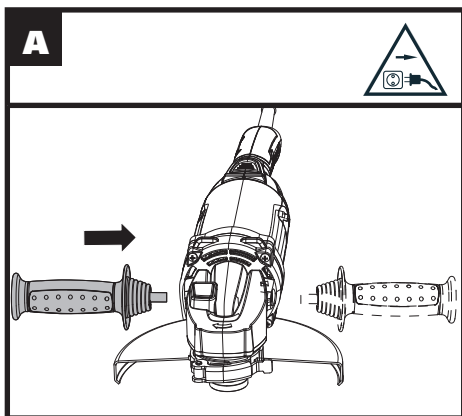
9

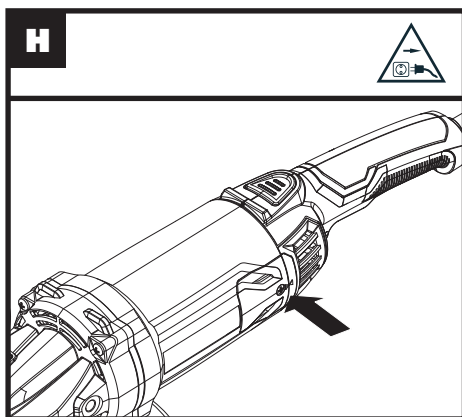
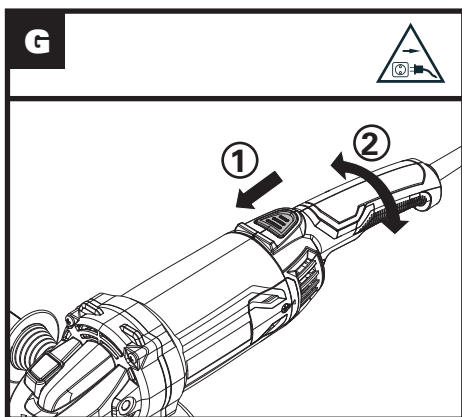
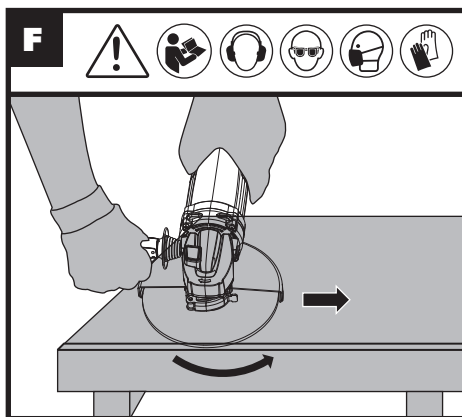
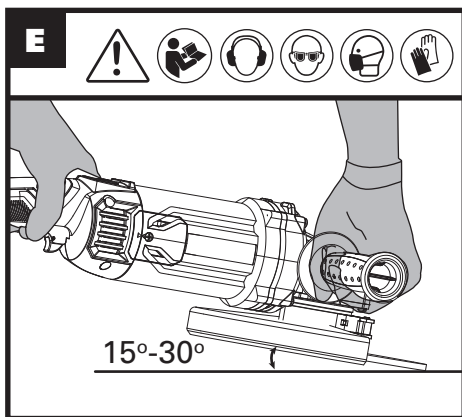
10

11

12

13





# TABLE OF CONTENT

1. SAFETY INSTRUCTIONS
2. COMPONENT LIST
3. TECHNICAL DATA
4. INTENDED USE
5. OPERATING INSTRUCTIONS
6. MAINTENANCE
7. TROUBLESHOOTING
8. ENVIRONMENTAL PROTECTION
9. DECLARATION OF CONFORMITY

## 1. SAFETY INSTRUCTIONS

### GENERAL POWER TOOL

### SAFETY WARNINGS



**WARNING! Read all safety warnings and all instructions.** Failure to follow the warnings and instructions may result in electric shock, fire and/or serious injury.

**Save all warnings and instructions for future reference.**

The term "power tool" in the warnings refers to your mains-operated (corded) power tool or battery-operated (cordless) power tool.

#### 1. WORK AREA SAFETY

- a) Keep work area clean and well lit.** Cluttered or dark areas invite accidents.
- b) Do not operate power tools in explosive atmospheres, such as in the presence of flammable liquids, gases or dust.** Power tools create sparks which may ignite the dust or fumes.
- c) Keep children and bystanders away while operating a power tool.** Distractions can cause you to lose control.

#### 2. ELECTRICAL SAFETY

- a) Power tool plugs must match the outlet. Never modify the plug in any way. Do not use any adapter plugs with earthed (grounded) power tools.** Unmodified plugs and matching outlets will reduce risk of electric shock.
- b) Avoid body contact with earthed or grounded surfaces, such as pipes, radiators, ranges and refrigerators.** There is an increased risk of electric shock if your body is earthed or grounded.
- c) Do not expose power tools to rain or wet conditions.** Water entering a power tool will increase the risk of electric shock.
- d) Do not abuse the cord. Never use the cord for carrying, pulling or unplugging the power tool.**

**Keep cord away from heat, oil, sharp edges or moving parts.** Damaged or entangled cords increase the risk of electric shock.

- e) When operating a power tool outdoors, use an extension cord suitable for outdoor use.** Use of a cord suitable for outdoor use reduces the risk of electric shock.
  - f) If operating a power tool in a damp location is unavoidable, use a residual current device (RCD) protected supply.** Use of an RCD reduces the risk of electric shock.
- #### 3. PERSONAL SAFETY
- a) Stay alert, watch what you are doing and use common sense when operating a power tool. Do not use a power tool while you are tired or under the influence of drugs, alcohol or medication.** A moment of inattention while operating power tools may result in serious personal injury.
  - b) Use personal protective equipment. Always wear eye protection.** Protective equipment such as dust mask, non-skid safety shoes, hard hat, or hearing protection used for appropriate conditions will reduce personal injuries.
  - c) Prevent unintentional starting. Ensure the switch is in the off-position before connecting to power source and/or battery pack, picking up or carrying the tool.** Carrying power tools with your finger on the switch or energising power tools that have the switch on invites accidents.
  - d) Remove any adjusting key or wrench before turning the power tool on.** A wrench or a key left attached to a rotating part of the power tool may result in personal injury.
  - e) Do not overreach. Keep proper footing and balance at all times.** This enables better control of the power tool in unexpected situations.
  - f) Dress properly. Do not wear loose clothing or jewellery. Keep your hair, clothing and gloves away from moving parts.** Loose clothes, jewellery or long hair can be caught in moving parts.
  - g) If devices are provided for the connection of dust extraction and collection facilities, ensure these are connected and properly used.** Use of dust collection can reduce dust-related hazards.
- #### 4. POWER TOOL USE AND CARE
- a) Do not force the power tool. Use the correct power tool for your application.** The correct power tool will do the job better and safer at the rate for which it was designed.
  - b) Do not use the power tool if the switch does not turn it on and off.** Any power tool that cannot be controlled with the switch is dangerous and must be repaired.
  - c) Disconnect the plug from the power source and/or the battery pack from the power tool**

before making any adjustments, changing accessories, or storing power tools. Such preventive safety measures reduce the risk of starting the power tool accidentally.

- d) **Store idle power tools out of the reach of children and do not allow persons unfamiliar with the power tool or these instructions to operate the power tool.** Power tools are dangerous in the hands of untrained users.
- e) **Maintain power tools. Check for misalignment or binding of moving parts, breakage of parts and any other condition that may affect the power tool's operation. If damaged, have the power tool repaired before use.** Many accidents are caused by poorly maintained power tools.
- f) **Keep cutting tools sharp and clean.** Properly maintained cutting tools with sharp cutting edges are less likely to bind and are easier to control.
- g) **Use the power tool, accessories and tool bits etc. in accordance with these instructions, taking into account the working conditions and the work to be performed.** Use of the power tool for operations different from those intended could result in a hazardous situation.

## 5. SERVICE

- a) **Have your power tool serviced by a qualified repair person using only identical replacement parts.** This will ensure that the safety of the power tool is maintained.

# SAFETY INSTRUCTIONS FOR ALL OPERATIONS

## SAFETY WARNINGS COMMON FOR GRINDING OR ABRASIVE CUTTING-OFF OPERATIONS:

- a) **This power tool is intended to function as a grinder, or cut-off tool. Read all safety warnings, instructions, illustrations and specifications provided with this power tool.** Failure to follow all instructions listed below may result in electric shock, fire and/or serious injury.
- b) **Operations such as sanding, wire brushing, polishing are not recommended to be performed with this power tool.** Operations for which the power tool was not designed may create a hazard and cause personal injury.
- c) **Do not use accessories which are not specifically designed and recommended by the tool manufacturer.** Just because the accessory can be attached to your power tool, it does not assure safe operation.
- d) **The rated speed of the accessory must be at least equal to the maximum speed marked on the power tool.** Accessories running faster than their rated speed can break and fly apart.
- e) **The outside diameter and the thickness of**

**your accessory must be within the capacity rating of your power tool.** Incorrectly sized accessories cannot be adequately guarded or controlled.

- f) **Threaded mounting of accessories must match the grinder spindle thread. For accessories mounted by flanges, the arbour hole of the accessory must fit the locating diameter of the flange.** Accessories that do not match the mounting hardware of the power tool will run out of balance, vibrate excessively and may cause loss of control.
- g) **Do not use a damaged accessory. Before each use inspect the accessory such as abrasive wheels for chips and cracks, backing pad for cracks, tear or excess wear. If power tool or accessory is dropped, inspect for damage or install an undamaged accessory. After inspecting and installing an accessory, position yourself and bystanders away from the plane of the rotating accessory and run the power tool at maximum no-load speed for one minute.** Damaged accessories will normally break apart during this test time.
- h) **Wear personal protective equipment. Depending on application, use face shield, safety goggles or safety glasses. As appropriate, wear dust mask, hearing protectors, gloves and workshop apron capable of stopping small abrasive or workpiece fragments.** The eye protection must be capable of stopping flying debris generated by various operations. The dust mask or respirator must be capable of filtering particles generated by your operation. Prolonged exposure to high intensity noise may cause hearing loss.
- i) **Keep bystanders a safe distance away from work area. Anyone entering the work area must wear personal protective equipment.** Fragments of workpiece or of a broken accessory may fly away and cause injury beyond immediate area of operation.
- j) **Hold power tool by insulated gripping surfaces only, when performing an operation where the cutting accessory may contact hidden wiring or its own cord.** Cutting accessory contacting a "live" wire may make exposed metal parts of the power tool "live" and could give the operator an electric shock
- k) **Position the cord clear of the spinning accessory.** If you lose control, the cord may be cut or snagged and your hand or arm may be pulled into the spinning accessory.
- l) **Never lay the power tool down until the accessory has come to a complete stop.** The spinning accessory may grab the surface and pull the power tool out of your control.
- m) **Do not run the power tool while carrying it at your side.** Accidental contact with the spinning



accessory could snag your clothing, pulling the accessory into your body.

- n) Regularly clean the power tool's air vents.** The motor's fan will draw the dust inside the housing and excessive accumulation of powdered metal may cause electrical hazards.
- o) Do not operate the power tool near flammable materials.** Sparks could ignite these materials.
- p) Do not use accessories that require liquid coolants.** Using water or other liquid coolants may result in electrocution or shock.
- q) Your hand must hold on the handle when you are working.** Always use the auxiliary handles supplied with the tool. Loss of control can cause personal injury

## FURTHER SAFETY INSTRUCTIONS FOR ALL OPERATIONS

### Kickback and Related Warnings

Kickback is a sudden reaction to a pinched or snagged rotating wheel, backing pad, brush or any other accessory. Pinching or snagging causes rapid stalling of the rotating accessory which in turn causes the uncontrolled power tool to be forced in the direction opposite of the accessory's rotation at the point of the binding.

For example, if an abrasive wheel is snagged or pinched by the workpiece, the edge of the wheel that is entering into the pinch point can dig into the surface of the material causing the wheel to climb out or kick out. The wheel may either jump toward or away from the operator, depending on direction of the wheel's movement at the point of pinching. Abrasive wheels may also break under these conditions.

Kickback is the result of power tool misuse and/or incorrect operating procedures or conditions and can be avoided by taking proper precautions as given below.

- a) Maintain a firm grip on the power tool and position your body and arm to allow you to resist kickback forces. Always use auxiliary handle, if provided, for maximum control over kickback or torque reaction during start-up.** The operator can control torque reactions or kickback forces, if proper precautions are taken.
- b) Never place your hand near the rotating accessory.** Accessory may kickback over your hand.
- c) Do not position your body in the area where power tool will move if kickback occurs.** Kickback will propel the tool in direction opposite to the wheel's movement at the point of snagging.
- d) Use special care when working corners, sharp edges etc. Avoid bouncing and snagging the accessory.** Corners, sharp edges or bouncing have a tendency to snag the rotating accessory

and cause loss of control or kickback.

- e) Do not attach a saw chain woodcarving blade or toothed saw blade.** Such blades create frequent kickback and loss of control.

## ADDITIONAL SAFETY INSTRUCTIONS FOR GRINDING AND CUTTING-OFF OPERATIONS

### Safety Warnings Specific for Grinding and Abrasive Cutting-Off Operations:

- a) Use only wheel types that are recommended for your power tool and the specific guard designed for the selected wheel.** Wheels for which the power tool was not designed cannot be adequately guarded and are unsafe.
- b) The grinding surface of centre depressed wheels must be mounted below the plane of the guard lip.** An improperly mounted wheel that projects through the plane of the guard lip cannot be adequately protected.
- c) The guard must be securely attached to the power tool and positioned for maximum safety, so the least amount of wheel is exposed towards the operator.** The guard helps to protect operator from broken wheel fragments and accidental contact with wheel and sparks that could ignite clothing.
- d) Wheels must be used only for recommended applications. For example: do not grind with the side of cut-off wheel.** Abrasive cut-off wheels are intended for peripheral grinding, side forces applied to these wheels may cause them to shatter.
- e) Always use undamaged wheel flanges that are of correct size and shape for your selected wheel.** Proper wheel flanges support the wheel thus reducing the possibility of wheel breakage. Flanges for cut-off wheels may be different from grinding wheel flanges.
- f) Do not use worn down wheels from larger power tools.** Wheel intended for larger power tool is not suitable for the higher speed of a smaller tool and may burst.

## ADDITIONAL SAFETY INSTRUCTIONS FOR CUTTING-OFF OPERATIONS

### Additional Safety Warnings Specific for Abrasive Cutting-Off Operations:


- a) Do not "jam" the cut-off wheel or apply excessive pressure. Do not attempt to make an excessive depth of cut.** Overstressing the

wheel increases the loading and susceptibility to twisting or binding of the wheel in the cut and the possibility of kickback or wheel breakage.




- b) Do not position your body in line with and behind the rotating wheel.** When the wheel, at the point of operation, is moving away from your body, the possible kickback may propel the spinning wheel and the power tool directly at you.
- c) When wheel is binding or when interrupting a cut for any reason, switch off the power tool and hold the power tool motionless until the wheel comes to a complete stop. Never attempt to remove the cut-off wheel from the cut while the wheel is in motion otherwise kickback may occur.** Investigate and take corrective action to eliminate the cause of wheel binding.
- d) Do not restart the cutting operation in the workpiece. Let the wheel reach full speed and carefully reenter the cut.** The wheel may bind, walk up or kickback if the power tool is restarted in the workpiece.
- e) Support panels or any oversized workpiece to minimize the risk of wheel pinching and kickback.** Large workpieces tend to sag under their own weight. Supports must be placed under the workpiece near the line of cut and near the edge of the workpiece on both sides of the wheel.
- f) Use extra caution when making a "pocket cut" into existing walls or other blind areas.** The protruding wheel may cut gas or water pipes, electrical wiring or objects that can cause kickback.

	Wear ear protection
	Wear eye protection
	Wear dust mask
	Wear protective gloves.
	Make sure the tool is unplugged prior to changing accessories.
	Lock
	Unlock
	Waste electrical products should not be disposed of with household waste. Please recycle where facilities exist. Check with your Local Authority or retailer for recycling advice.

## ADDITIONAL SAFETY RULES FOR ANGLE GRINDER

 **WARNING:** Make sure the handle in the locked position before start the angle grinder. Rotating the handle is permitted only in the switched off condition.

## SYMBOLS

	To reduce the risk of injury, user must read instruction manual
	Double insulation
	Warning

## 2. COMPONENT LIST


1. AUXILIARY HANDLE
2. ROTARY BUTTON
3. ON/OFF SWITCH
4. LOCK-OFF BUTTON
5. BRUSH COVER
6. WHEEL GUARD FOR GRINDING
7. DISC \*
8. SPINDLE LOCK BUTTON
9. SPANNER
10. INNER FLANGE
11. OUTER FLANGE
12. WHEEL GUARD FOR CUTTING

### 13. GUARD CLAMPING LEVER

**\* Not all the accessories illustrated or described are included in standard delivery.**

## 3. TECHNICAL DATA

Type **WX709 WX709.X (700-749 -designation of machinery, representative of Angle Grinder)**

	<b>WX709 WX709.X*</b>
Voltage	230-240 V~50 Hz
Power input	2350 W
No load speed	6500 /min
Disc Size	230 mm
Disc bore	22.2 mm
Spindle thread	M14
Diameter of grinding wheels	230 mm
Max. Thickness of grinding wheels	6 mm
Protection class	 /II
Machine weight	5.7 kg

\* X=1-999, A-Z, M1-M9 there are only used for different customers, there are no safe relevant changes between these models.

We recommend that you purchase your accessories from the same store that sold you the tool. Refer to the accessory packaging for further details. Store personnel can assist you and offer advice.

## NOISE INFORMATION

A weighted sound pressure  $L_{pA}$ : 96 dB(A)

A weighted sound power  $L_{wA}$ : 107 dB(A)

$K_{pA}$  &  $K_{wA}$  3.0dB(A)

Wear ear protection 

## VIBRATION INFORMATION

Vibration total values (triax vector sum) determined according to EN 60745:

Surface grinding	Vibration emission value: $a_{n,AG} = 8.4 \text{ m/s}^2$
	Uncertainty $K = 1.5 \text{ m/s}^2$

- the declared vibration total value has been measured in accordance with a standard test method and may be used for comparing one tool with another;
- the declared vibration total value may also be used in a preliminary assessment of exposure.



**WARNING:** The vibration emission value during actual use of the power tool can differ from the declared value depending on the ways in which the tool is used dependant on the following examples and other variations on how the tool is used:  
How the tool is used and the materials being cut.  
The tool being in good condition and well maintained  
The use the correct accessory for the tool and ensuring it is sharp and in good condition.  
The tightness of the grip on the handles and if any anti vibration accessories are used.  
And the tool is being used as intended by its design and these instructions.

**This tool may cause hand-arm vibration syndrome if its use is not adequately managed.**



**WARNING!** To be accurate, an estimation of exposure level in the actual conditions of use should also take account of all parts of the operating cycle such as the times when the tool is switched off and when it is running idle but not actually doing the job. This may significantly reduce the exposure level over the total working period.  
Help to minimize your vibration exposure risk. Maintain this tool in accordance with these instructions and keep well lubricated (where appropriate)  
If the tool is to be used regularly then invest in anti vibration accessories.  
Plan your work schedule to spread any high vibration tool use across a number of days.

## 4. INTENDED USE


The machine is intended for cutting, roughing metal and stone materials without using water. For cutting metal, a special protection guard for cutting (accessory) must be used.

## 5. OPERATING INSTRUCTIONS



**NOTE:** Before using the tool, read the instruction book carefully.

### ASSEMBLY AND OPERATION

Action	Figure
<b>ASSEMBLY</b>	
Installing Auxiliary Handle	See Fig. A
Assembling Grinding/Cutting Disc	See Fig. B1, B2, B3
<p>Adjusting wheel guard</p> <p><b>NOTE: For work with grinding or cutting discs, the protection guard must be mounted. Use the correct type of disc for your application. If the power tool is intended to perform cutting off operations, a guard specific for this operation must be fitted.</b></p> <p>The coded projection on the wheel guard ensures that only a guard that fits the machine type can be mounted.</p> <p>Open the clamping lever. Place the wheel guard with coded projection into the coded groove on the spindle of the machine head and rotate to the required position (working position).</p> <p>To fasten the wheel guard, close the clamping lever.</p> <p>The closed side of the wheel guard must always point to the operator.</p> <p><b>NOTE:</b> With the clamping lever open the clamp adjusting screw can be adjusted to ensure the guard is securely clamped after the clamping lever is finally closed.</p>	See Fig. C
<b>OPERATION</b>	
Using On/Off Switch	See Fig. D
Hand Grip Areas	See Fig. E
<p>Rough Grinding</p> <p> <b>WARNING!</b> Never use a cutting disc for roughing.</p>	
Cutting	See Fig. F
Using the rotate handle	See Fig. G
Replacing the brushes	See Fig. H

## WORKING HINTS FOR YOUR ANGLE GRINDER

- Your angle grinder is useful for both cutting through metals, i.e. for removing screw heads, and also for cleaning / preparing surfaces, i.e. before and after welding operations.
- Different types of wheel/cutter will allow the grinder to meet various needs. Typically, wheels/cuttings are available for mild steel, stainless steel, stone and brick. Diamond impregnated discs are available for very hard materials.
- If the grinder is used on soft metals such as aluminum, the wheel will soon clog and will have to be changed.
- At all times, let the grinder do the work, do not force it or apply excessive pressure to the wheel/disc.
- If cutting a slot ensures that the cutter is kept aligned with the slot, twisting the cutter may cause the disc to shatter. If cutting through thin sheet only allow material, excessive penetration can increase the chance of causing damage.
- If cutting stone or brick, it is advisable to use a dust extractor.

## 6. MAINTENANCE

### Remove the plug from the socket before carrying out any adjustment, servicing or maintenance.

There are no user serviceable parts in your power tool. Never use water or chemical cleaners to clean your power tool. Wipe clean with a dry cloth. Always store your power tool in a dry place. Keep the motor ventilation slots clean. Keep all working controls free of dust. Occasionally you may see sparks through the ventilation slots. This is normal and will not damage your power tool.

If the supply cord is damaged, it must be replaced by the manufacturer, its service agent or similarly qualified persons in order to avoid a hazard.

## 7. TROUBLESHOOTING

Although your new angle grinder is really very simple to operate, if you do experience problems, please check the following:

- If your grinder will not operate check the power at the main plug.
- If your grinder wheel wobbles or vibrates, check that outer flange is tight; check that the wheel is correctly located on the flange plate.
- If there is any evidence that the wheel is damaged do not use as the damaged wheel may disintegrate, remove it and replace with a new wheel. Dispose of old wheels sensibly.
- If working on aluminum or a similar soft alloy, the wheel will soon become clogged and will not grind

effectively.

5. If a fault cannot be rectified, return the tool to an authorized dealer or its service agent for repair.

## 8. ENVIRONMENTAL PROTECTION



Waste electrical products should not be disposed of with household waste. Please recycle where facilities exist. Check with your Local Authority or retailer for recycling advice.

## 9. DECLARATION OF CONFORMITY

We,  
Positec Germany GmbH  
Postfach 32 02 16, 50796 Cologne, Germany

On behalf of Positec declare that the product,  
Description **Worx Angle Grinder**  
Type **WX709 WX709.X (700-749 -designation of machinery, representative of Angle Grinder)**  
Function **Peripheral and lateral grinding**

Complies with the following Directives,  
**2006/42/EC**  
**2011/65/EU&(EU)2015/863**  
**2014/30/EU**

Standards conform to:  
**EN 55014-1, EN 55014-2**  
**EN IEC 61000-3-2, EN 61000-3-3**  
**EN 60745-1, EN 60745-2-3**

The person authorized to compile the technical file,  
**Name: Marcel Filz**  
**Address: Positec Germany GmbH**  
**Postfach 32 02 16, 50796 Cologne, Germany**



2021/10/15  
Allen Ding  
Deputy Chief Engineer, Testing & Certification  
Positec Technology (China) Co., Ltd  
18, Dongwang Road, Suzhou Industrial  
Park, Jiangsu 215123, P. R. China

# INHALTSVERZEICHNIS

1. SICHERHEITSHINWEISE
2. KOMPONENTEN
3. TECHNISCHE DATEN
4. BESTIMMUNGSGEMÄSSER GEBRAUCH
5. HINWEISE ZUM BETRIEB
6. WARTUNG
7. PROBLEMLÖSUNG
8. UMWELTSCHUTZ
9. KONFORMITÄTSEKTLÄRUNG

## 1. SICHERHEITSHINWEISE ALLGEMEINE SICHERHEITSHINWEISE FÜR ELEKTROWERKZEUGE

 **WARNUNG! Lesen Sie alle Sicherheitshinweise und Anweisungen.**

Versäumnisse bei der Einhaltung der Sicherheitshinweise und Anweisungen können elektrischen Schlag, Brand und/oder schwere Verletzungen verursachen.

### **Bewahren Sie alle Sicherheitshinweise und Anweisungen für die Zukunft auf.**

Der in den Sicherheitshinweisen verwendete Begriff „Elektrowerkzeug“ bezieht sich auf akkubetriebene Elektrowerkzeuge (ohne Netzkabel).

#### **1. ARBEITSPLATZSICHERHEIT**

- a) Halten Sie Ihren Arbeitsbereich sauber und gut beleuchtet.** Unordnung oder unbeleuchtete Arbeitsbereiche können zu Unfällen führen.
- b) Arbeiten Sie mit dem Elektrowerkzeug nicht in explosionsgefährdeter Umgebung, in der sich brennbare Flüssigkeiten, Gase oder Stäube befinden.** Elektrowerkzeuge erzeugen Funken, die den Staub oder die Dämpfe entzünden können.
- c) Halten Sie Kinder und andere Personen während der Benutzung des Elektrowerkzeugs fern.** Bei Ablenkung können Sie die Kontrolle über das Gerät verlieren.

#### **2. ELEKTRISCHE SICHERHEIT**

- a) Der Anschlussstecker des Elektrowerkzeuges muss in die Steckdose passen. Der Stecker darf in keiner Weise verändert werden. Verwenden Sie keine Adapterstecker gemeinsam mit schutzgeerdeten Elektrowerkzeugen.** Unveränderte Stecker und passende Steckdosen verringern das Risiko eines elektrischen Schlages.

- b) Vermeiden Sie Körperkontakt mit geerdeten Oberflächen wie von Rohren, Heizungen, Herden und Kühlschränken.** Es besteht ein erhöhtes Risiko durch elektrischen Schlag, wenn Ihr Körper geerdet ist.
- c) Halten Sie Elektrowerkzeuge von Regen und Nässe fern.** Das Eindringen von Wasser in ein Elektrowerkzeug erhöht das Risiko eines elektrischen Schlages.
- d) Zweckfremden Sie das Kabel nicht, um das Elektrowerkzeug zu tragen, aufzuhängen oder um den Stecker aus der Steckdose zu ziehen. Halten Sie das Kabel fern von Hitze, Öl, scharfen Kanten oder sich bewegenden Geräteteilen.** Beschädigte oder verwickelte Kabel erhöhen das Risiko eines elektrischen Schlages.
- e) Wenn Sie mit einem Elektrowerkzeug im Freien arbeiten, verwenden Sie nur Verlängerungskabel, die auch für den Außenbereich geeignet sind.** Die Anwendung eines für den Außenbereich geeigneten Verlängerungskabels verringert das Risiko eines elektrischen Schlages.
- f) Wenn der Betrieb des Elektrowerkzeuges in feuchter Umgebung nicht vermeidbar ist, verwenden Sie einen Fehlerstromschutzschalter.** Der Einsatz eines Fehlerstromschutzschalters vermindert das Risiko eines elektrischen Schlages.

#### **3. SICHERHEIT VON PERSONEN**

- a) Seien Sie aufmerksam, achten Sie darauf, was Sie tun, und gehen Sie mit Vernunft an die Arbeit mit einem Elektrowerkzeug. Benutzen Sie kein Elektrowerkzeug, wenn Sie müde sind oder unter dem Einfluss von Drogen, Alkohol oder Medikamenten stehen.** Ein Moment der Unachtsamkeit beim Gebrauch des Elektrowerkzeuges kann zu ernsthaften Verletzungen führen.
- b) Tragen Sie persönliche Schutzausrüstung und immer eine Schutzbrille.** Das Tragen persönlicher Schutzausrüstung, wie Staubmaske, rutschfeste Sicherheitsschuhe, Schutzhelm oder Gehörschutz, je nach Art und Einsatz des Elektrowerkzeuges, verringert das Risiko von Verletzungen.
- c) Vermeiden Sie eine unbeabsichtigte Inbetriebnahme. Vergewissern Sie sich, dass das Elektrowerkzeug ausgeschaltet ist, bevor Sie es an den Akku anschließen, es aufnehmen oder tragen.** Wenn Sie beim Tragen des Elektrowerkzeuges den Finger am Schalter haben oder das Gerät eingeschaltet an die Stromversorgung anschließen, kann dies zu Unfällen führen.
- d) Entfernen Sie Einstellwerkzeuge oder Schraubenschlüssel, bevor Sie das Elektrowerkzeug einschalten.** Ein Werkzeug oder Schlüssel, der sich in einem drehenden

Geräteteil befindet, kann zu Verletzungen führen.

- e) **Vermeiden Sie eine abnormale Körperhaltung. Sorgen Sie für einen sicheren Stand und halten Sie jederzeit das Gleichgewicht.** Dadurch können Sie das Elektrowerkzeug in unerwarteten Situationen besser kontrollieren.
- f) **Tragen Sie geeignete Kleidung. Tragen Sie keine weite Kleidung oder Schmuck. Halten Sie Haare, Kleidung und Handschuhe fern von sich bewegenden Teilen.** Lockere Kleidung, Schmuck oder lange Haare können von sich bewegenden Teilen erfasst werden.
- g) **Wenn Staubabsaug- und -auffangeinrichtungen montiert werden können, vergewissern Sie sich, dass diese angeschlossen sind und richtig verwendet werden.** Verwendung einer Staubabsaugung kann Gefährdungen durch Staub verringern.

#### 4. VERWENDUNG UND BEHANDLUNG DES ELEKTROWERKZEUGES

- a) **Überlasten Sie das Gerät nicht. Verwenden Sie für Ihre Arbeit das dafür bestimmte Elektrowerkzeug.** Mit dem passenden Elektrowerkzeug arbeiten Sie besser und sicherer im angegebenen Leistungsbereich.
- b) **Benutzen Sie kein Elektrowerkzeug, dessen Schalter defekt ist.** Ein Elektrowerkzeug, das sich nicht mehr ein- oder ausschalten lässt, ist gefährlich und muss repariert werden.
- c) **Entfernen Sie den Akku, bevor Sie Geräteeinstellungen vornehmen, Zubehörteile wechseln oder das Gerät weglegen.** Diese Vorsichtsmaßnahme verhindert den unbeabsichtigten Start des Elektrowerkzeuges.
- d) **Bewahren Sie unbenutzte Elektrowerkzeuge außerhalb der Reichweite von Kindern auf. Lassen Sie Personen das Gerät nicht benutzen, die mit diesem nicht vertraut sind oder diese Anweisungen nicht gelesen haben.** Elektrowerkzeuge sind gefährlich, wenn Sie von unerfahrenen Personen benutzt werden.
- e) **Pflegen Sie Elektrowerkzeuge mit Sorgfalt. Kontrollieren Sie, ob bewegliche Teile einwandfrei funktionieren und nicht klemmen, ob Teile gebrochen oder so beschädigt sind, dass die Funktion des Elektrowerkzeuges beeinträchtigt ist. Lassen Sie beschädigte Teile vor dem Einsatz des Gerätes reparieren.** Viele Unfälle haben ihre Ursache in schlecht gewarteten Elektrowerkzeugen.
- f) **Halten Sie Schneidwerkzeuge scharf und sauber. Sorgfältig gepflegte Schneidwerkzeuge mit scharfen Schneidkanten verklemmen sich weniger und sind leichter zu führen.**
- g) **Verwenden Sie Elektrowerkzeug, Zubehör, Einsatzwerkzeuge usw. entsprechend diesen Anweisungen. Berücksichtigen Sie dabei die**

**Arbeitsbedingungen und die auszuführende Tätigkeit.** Der Gebrauch von Elektrowerkzeugen für andere als die vorgesehenen Anwendungen kann zu gefährlichen Situationen führen.

#### 5. SERVICE

- a) **Lassen Sie Ihr Elektrowerkzeug nur von qualifiziertem Fachpersonal und nur mit Original-Ersatzteilen reparieren. Damit wird sichergestellt, dass die Sicherheit des Gerätes erhalten bleibt.**

## SICHERHEITSHINWEISE FÜR ALLE ANWENDUNGEN

### GEMEINSAME WARNHINWEISE ZUM SCHLEIFEN, TRENNSCHLEIFEN.:

- a) **Dieses Elektrowerkzeug ist zu verwenden als Schleifer, Trennschleifmaschine. Beachten Sie alle Warnhinweise, Anweisungen, Darstellungen und Daten, die Sie mit dem Gerät erhalten.** Wenn Sie die folgenden Anweisungen nicht beachten, kann es zu elektrischem Schlag, Feuer und/oder schweren Verletzungen kommen.
- b) **Dieses Elektrowerkzeug ist nicht geeignet zum Sandpapierschleifen, Arbeiten mit Drahtbürsten, Polieren.** Verwendungen, für die das Elektrowerkzeug nicht vorgesehen ist, können Gefährdungen und Verletzungen verursachen.
- c) **Verwenden Sie kein Zubehör, das vom Hersteller nicht speziell für dieses Elektrowerkzeug vorgesehen und empfohlen wurde.** Nur weil Sie das Zubehör an Ihrem Elektrowerkzeug befestigen können, garantiert das keine sichere Verwendung.
- d) **Die zulässige Drehzahl des Einsatzwerkzeugs muss mindestens so hoch sein wie die auf dem Elektrowerkzeug angegebene Höchstdrehzahl.** Zubehör, das sich schneller als zulässig dreht, kann zerstört werden.
- e) **Außendurchmesser und Dicke des Einsatzwerkzeugs müssen den Maßangaben Ihres Elektrowerkzeugs entsprechen.** Falsch bemessene Einsatzwerkzeuge können nicht ausreichend abgeschirmt oder kontrolliert werden.
- f) **Einsatzwerkzeuge mit Gewindeinsatz müssen genau auf das Gewinde der Schleifspindel passen. Bei Einsatzwerkzeugen, die mittels Flansch montiert werden, muss der Lochdurchmesser des Einsatzwerkzeuges zum Aufnahmedurchmesser des Flansches passen.** Einsatzwerkzeuge, die nicht genau am Elektrowerkzeug befestigt werden, drehen sich ungleichmäßig, vibrieren sehr stark und können zum Verlust der Kontrolle führen.
- g) **Verwenden Sie keine beschädigten**

**Einsatzwerkzeuge. Kontrollieren Sie vor jeder Verwendung Einsatzwerkzeuge wie Schleifscheiben auf Absplitterungen und Risse, Schleifteller auf Risse, Verschleiß oder starke Abnutzung. Wenn das Elektrowerkzeug oder das Einsatzwerkzeug herunterfällt, überprüfen Sie, ob es beschädigt ist, oder verwenden Sie ein unbeschädigtes Einsatzwerkzeug. Wenn Sie das Einsatzwerkzeug kontrolliert und eingesetzt haben, halten Sie und in der Nähe befindliche Personen sich außerhalb der Ebene des rotierenden Einsatzwerkzeugs und lassen Sie das Gerät eine Minute lang mit Höchstdrehzahl laufen.** Beschädigte Einsatzwerkzeuge brechen meist in dieser Testzeit.

**h) Tragen Sie persönliche Schutzausrüstung. Verwenden Sie je nach Anwendung Vollgesichtsschutz, Augenschutz oder Schutzbrille. Soweit angemessen, tragen Sie Staubmaske, Gehörschutz, Schutzhandschuhe oder Spezialschürze, die kleine Schleif- und Materialpartikel von Ihnen fernhält. Die Augen sollen vor herumfliegenden Fremdkörpern geschützt werden, die bei verschiedenen Anwendungen entstehen.** Staub- oder Atemschutzmaske müssen den bei der Anwendung entstehenden Staub filtern. Wenn Sie lange lautem Lärm ausgesetzt sind, können Sie einen Hörverlust erleiden.

**i) Achten Sie bei anderen Personen auf sicheren Abstand zu Ihrem Arbeitsbereich. Jeder, der den Arbeitsbereich betritt, muss persönliche Schutzausrüstung tragen.** Bruchstücke des Werkstücks oder gebrochener Einsatzwerkzeuge können wegfiegen und Verletzungen auch außerhalb des direkten Arbeitsbereichs verursachen.

**j) Halten Sie das Gerät nur an den isolierten Griffflächen, wenn Sie Arbeiten ausführen, bei denen das Einsatzwerkzeug verborgene Stromleitungen oder das eigene Netzkabel treffen kann.** Der Kontakt mit einer spannungsführenden Leitung kann auch metallene Gerateteile unter Spannung setzen und zu einem elektrischen Schlag führen.

**k) Halten Sie das Netzkabel von sich drehenden Einsatzwerkzeugen fern.** Wenn Sie die Kontrolle über das Gerät verlieren, kann das Netzkabel durchtrennt oder erfasst werden und Ihre Hand oder Ihr Arm in das sich drehende Einsatzwerkzeug geraten.

**l) Legen Sie das Elektrowerkzeug niemals ab, bevor das Einsatzwerkzeug völlig zum Stillstand gekommen ist.** Das sich drehende Einsatzwerkzeug kann in Kontakt mit der Ablagefläche geraten, wodurch Sie die Kontrolle

über das Elektrowerkzeug verlieren können.

**m) Lassen Sie das Elektrowerkzeug nicht laufen, während Sie es tragen.** Ihre Kleidung kann durch zufälligen Kontakt mit dem sich drehenden Einsatzwerkzeug erfasst werden, und das Einsatzwerkzeug sich in Ihren Körper bohren.

**n) Reinigen Sie regelmäßig die Lüftungsschlitze Ihres Elektrowerkzeugs.** Das Motorgebläse zieht Staub in das Gehäuse, und eine starke Ansammlung von Metallstaub kann elektrische Gefahren verursachen.

**o) Verwenden Sie das Elektrowerkzeug nicht in der Nähe brennbarer Materialien.** Funken können diese Materialien entzünden.

**p) Verwenden Sie keine Einsatzwerkzeuge, die flüssige Kühlmittel erfordern.** Die Verwendung von Wasser oder anderen flüssigen Kühlmitteln kann zu einem elektrischen Schlag führen.

**q) Ihre Hand muss den Griff während der Arbeit festhalten.** Verwenden Sie immer die dem Werkzeug mitgelieferten Hilfsgriffe. Kontrollverlust kann Körperverletzungen verursachen.

## WEITERE SICHERHEITSHINWEISE FÜR ALLE ANWENDUNGEN

### Rückschlag und entsprechende Warnhinweise

Rückschlag ist die plötzliche Reaktion infolge eines hakenden oder blockierten drehenden Einsatzwerkzeugs, wie Schleifscheibe, Schleifteller, Drahtbürste usw. Verhaken oder Blockieren führt zu einem abrupten Stopp des rotierenden Einsatzwerkzeugs. Dadurch wird ein unkontrolliertes Elektrowerkzeug gegen die Drehrichtung des Einsatzwerkzeugs an der Blockierstelle beschleunigt. Wenn z. B. eine Schleifscheibe im Werkstück hakt oder blockiert, kann sich die Kante der Schleifscheibe, die in das Werkstück eintaucht, verfangen und dadurch die Schleifscheibe ausbrechen oder einen Rückschlag verursachen. Die Schleifscheibe bewegt sich dann auf die Bedienperson zu oder von ihr weg, je nach Drehrichtung der Scheibe an der Blockierstelle. Hierbei können Schleifscheiben auch brechen. Ein Rückschlag ist die Folge eines falschen oder fehlerhaften Gebrauchs des Elektrowerkzeugs. Er kann durch geeignete Vorsichtsmaßnahmen, wie nachfolgend beschrieben, verhindert werden.

**a) Halten Sie das Elektrowerkzeug gut fest und bringen Sie Ihren Körper und Ihre Arme in eine Position, in der Sie die Rückschlagkräfte abfangen können. Verwenden Sie immer den Zusatzgriff, falls vorhanden, um die größtmögliche Kontrolle über Rückschlagkräfte oder Reaktionsmomente beim Hochlauf zu haben.** Die Bedienperson kann durch geeignete Vorsichtsmaßnahmen die



Rückschlag- und Reaktionskräfte beherrschen.

- b) Bringen Sie Ihre Hand nie in die Nähe sich drehender Einsatzwerkzeuge.** Das Einsatzwerkzeug kann sich beim Rückschlag über Ihre Hand bewegen.
- c) Meiden Sie mit Ihrem Körper den Bereich, in den das Elektrowerkzeug bei einem Rückschlag bewegt wird.** Der Rückschlag treibt das Elektrowerkzeug in die Richtung entgegengesetzt zur Bewegung der Schleifscheibe an der Blockierstelle.
- d) Arbeiten Sie besonders vorsichtig im Bereich von Ecken, scharfen Kanten usw.** Verhindern Sie, dass Einsatzwerkzeuge vom Werkstück zurückprallen und verklemmen. Das rotierende Einsatzwerkzeug neigt bei Ecken, scharfen Kanten oder wenn es abprallt, dazu, sich zu verklemmen. Dies verursacht einen Kontrollverlust oder Rückschlag.
- e) Verwenden Sie kein Ketten- oder gezähntes Sägeblatt.** Solche Einsatzwerkzeuge verursachen häufig einen Rückschlag oder den Verlust der Kontrolle über das Elektrowerkzeug.

## ZUSÄTZLICHE SICHERHEITSHINWEISE FÜRS SCHLEIFEN, SCHRUPPEN UND TRENNEN

**Besondere Sicherheitshinweise für Schleifen und Trennen:**

- a) Verwenden Sie ausschließlich die für Ihr Elektrowerkzeug zugelassenen Schleif- und Trennmittel und die dafür entsprechend vorgesehene Schutzhaube.** Schleifmittel, die nicht für das Elektrowerkzeug vorgesehen sind, können nicht ausreichend abgeschirmt werden und sind unsicher.
- b) Gekröpfte Schleifscheiben müssen so montiert werden, dass ihre Schleiffläche nicht über der Ebene des Schutzhaubenrandes hervorsteht.** Eine unsachgemäß montierte Schleifscheibe, die über die Ebene des Schutzhaubenrandes hinausragt, kann nicht ausreichend abgeschirmt werden.
- c) Die Schutzhaube muss sicher am Elektrowerkzeug angebracht und so eingestellt sein, dass ein Höchstmaß an Sicherheit erreicht wird, d. h. der kleinstmögliche Teil des Schleifkörpers zeigt offen zum Anwender.** Die Schutzhaube hilft, den Anwender vor Bruchstücken, zufälligem Kontakt mit dem Schleifkörper, sowie Funken, die Kleidung entzünden können, zu schützen.
- d) Schleif- und Trennscheiben dürfen nur für die dafür geeigneten Einsatzmöglichkeiten**

**verwendet werden. Zum Beispiel:**

- Schleifen Sie nie mit der Seitenfläche einer Trennscheibe.** Trennscheiben sind zum Materialabtrag mit der Kante der Scheibe bestimmt. Seitliche Krafteinwirkung auf diese Schleifkörper kann sie zerbrechen.
- e) Verwenden Sie immer unbeschädigte Spannflansche in der richtigen Größe und Form für die von Ihnen gewählte Schleifscheibe.** Geeignete Flansche stützen die Schleifscheibe und verringern so die Gefahr eines Schleifscheibenbruchs. Flansche für Trennscheiben können sich von den Flanschen für andere Schleifscheiben unterscheiden.
- f) Verwenden Sie keine abgenutzten Schleifscheiben von größeren Elektrowerkzeugen.** Schleifscheiben für größere Elektrowerkzeuge sind nicht für die höheren Drehzahlen von kleineren Elektrowerkzeugen ausgelegt und können brechen.

## ZUSÄTZLICHE SICHERHEITSHINWEISE FÜRS TRENNEN

**Zusätzliche Sicherheitshinweise zum Trennen:**

- a) Vermeiden Sie ein Blockieren der Trennscheibe oder zu hohen Anpressdruck. Führen Sie keine übermäßig tiefen Schnitte aus.** Eine Überlastung der Trennscheibe erhöht deren Beanspruchung und die Anfälligkeit zum Verkanten oder Blockieren und damit die Möglichkeit eines Rückschlags oder Schleifkörperbruchs.
- b) Meiden Sie den Bereich vor und hinter der rotierenden Trennscheibe.** Wenn Sie die Trennscheibe im Werkstück von sich wegbewegen, kann im Falle eines Rückschlags das Elektrowerkzeug mit der sich drehenden Scheibe direkt auf Sie zugeschleudert werden.
- c) Falls sich die Trennscheibe verklemmt oder Sie die Arbeit unterbrechen, schalten Sie das Gerät aus und halten, bis die Scheibe zum Stillstand gekommen ist. Versuchen Sie nie, die noch laufende Trennscheibe aus dem Schnitt zu ziehen, sonst es solange ein Rückschlag erfolgen.** Ermitteln und beheben Sie die Ursache für das Verklemmen..
- d) Schalten Sie das Elektrowerkzeug nicht wieder ein, solange es sich im Werkstück befindet. Lassen Sie die Trennscheibe erst ihre volle Drehzahl erreichen, bevor Sie den Schnitt vorsichtig fortsetzen.** Anderenfalls kann sich die Scheibe verhalten, aus dem Werkstück springen oder einen Rückschlag verursachen.
- e) Stützen Sie Platten oder große Werkstücke**

**ab, um das Risiko eines Rückschlags durch eine eingeklemmte Trennscheibe zu vermindern.** Große Werkstücke können sich unter ihrem eigenen Gewicht durchbiegen. Das Werkstück muss auf beiden Seiten abgestützt werden, und sowohl in der Nähe des Trennschnitts als auch an der Kante.

**f) Seien Sie besonders vorsichtig bei „Taschenschnitten“ in bestehende Wände oder andere nicht einsehbare Bereiche.** Die eintauchende Trennscheibe kann beim Schneiden in Gas- oder Wasserleitungen, elektrische Leitungen oder andere Objekte einen Rückschlag verursachen.

## ZUSÄTZLICHE SICHERHEITSBESTIMMUNGEN FÜR WINKELSCHLEIFER



**WARNUNG:** Stellen Sie vor dem Starten des Winkelschleifers sicher, dass sich der Griff in der verriegelten Position befindet. Der Griff darf nur im ausgeschalteten Zustand gedreht werden.

## SYMBOLE

	Zur Reduzierung der Verletzungsgefahr bitte die Bedienungsanleitung durchlesen
	Schutzisolation
	WARNUNG!
	Tragen Sie einen Gehörschutz
	Tragen Sie eine Schutzbrille
	Tragen Sie eine Staubmaske
	Tragen Sie Schutzhandschuhe

	Vor dem Auswechseln von Zubehör sicherstellen, dass das Werkzeug von der Stromversorgung getrennt ist.
	Verriegeln
	Entriegeln
	Elektroprodukte dürfen nicht mit dem normalen Haushaltsmüll entsorgt werden, sondern sollten nach Möglichkeit zu einer Recyclingstelle gebracht werden. Ihre zuständigen Behörden oder Ihr Fachhändler geben Ihnen hierzu gerne Auskunft.


## 2. KOMPONENTEN

<b>1.</b>	<b>ZUSATZGRIFF</b>
<b>2.</b>	<b>ARRETIERUNGSKNOPF</b>
<b>3.</b>	<b>EIN/AUS-SCHALTER</b>
<b>4.</b>	<b>SICHERHEITSSCHALTER</b>
<b>5.</b>	<b>BÜRSTENABDECKUNG</b>
<b>6.</b>	<b>SCHUTZHAUBE FÜRS SCHLEIFEN</b>
<b>7.</b>	<b>SCHLEIFMITTEL *</b>
<b>8.</b>	<b>SPINDELARRETIERUNGSKNOPF</b>
<b>9.</b>	<b>SCHLÜSSEL</b>
<b>10.</b>	<b>INNERER FLANSCH</b>
<b>11.</b>	<b>AUSSENFLANSCH</b>
<b>12.</b>	<b>SCHUTZHAUBE FÜRS TRENNEN</b>
<b>13.</b>	<b>KLEMMENEINSTELLSCHRAUBE</b>

\* Abgebildetes oder beschriebenes Zubehör gehört teilweise nicht zum Lieferumfang.

### 3. TECHNISCHE DATEN

Typ **WX709 WX709.X (700-749 - Bezeichnung der Maschine, repräsentiert die Winkelschleifer)**

<b>WX709 WX709.X*</b>	
Spannung	230-240 V~50 Hz
Leistungsaufnahme	2350 W
Leerlaufdrehzahl	6500 /min
Scheibengröße	230 mm
Scheibenbohrung	22.2 mm
Spindelgewinde	M14
Durchmesser der Schleif-scheiben	230 mm
Maximaler Stärke der Schleif-scheiben	6 mm
Schutzklasse	 /II
Maschinengewicht	5.7 kg

\* X=1-99, A-Z, M1-M9 werden nur für verschiedene Kunden verwendet, es gibt keine sicherheitsrelevanten Veränderungen zwischen diesen Modellen.

Wir empfehlen Ihnen, sämtliche Zubehörteile beim selben Fachhändler zu beziehen, bei dem Sie auch Ihr Elektrowerkzeug gekauft haben. Weitere Informationen finden Sie auf der Verpackung der Zubehörteile. Auch Ihr Fachhändler berät Sie gerne.

### INFORMATIONEN ÜBER LÄRM

Gewichteter Schalldruck  $L_{DA}$ : 96 dB(A)

Gewichtete Schalleistung  $L_{WA}$ : 107 dB(A)

$K_{DA}$  &  $K_{WA}$  3.0dB(A)

**Tragen Sie einen Gehörschutz.** 

### INFORMATIONEN ÜBER VIBRATIONEN

Vibrationsgesamtwertermittlung gemäß EN60745:

Schruppen	Vibrationsemissionswert: $a_{h,AG} = 8.4 \text{ m/s}^2$
	Unsicherheit $K = 1.5 \text{ m/s}^2$

- Der deklarierte Gesamtschwingungswert wurde nach Standardtestmethoden gemessen und kann verwendet werden, um ein Werkzeug mit einem anderen Werkzeug zu vergleichen.

- Der angegebene Gesamtschwingungswert kann auch für die vorläufige Expositionsabschätzung verwendet werden.



**WARNUNG:** Der Wert der

Schwingungsemissionen kann während der Nutzung des Werkzeuges von den deklarierten Werten abweichen. Es hängt davon ab, wie das Werkzeug verwendet wird, wie es in nachfolgenden Beispielen beschrieben wird und es spielt wesentliche Rolle:

Wie das Werkzeug verwendet wird und mit welchem Material gearbeitet wird.

Ob das Werkzeug einwandfrei funktioniert.

Ob das Zubehör abnutzungsfrei ist und ob es für die auszuführende Tätigkeit geeignet ist.

Es kommt auf die Greifkraft an den Griffen an und ob Antivibrationsmittel eingesetzt werden.

Letztendlich, ob das Werkzeug bestimmungsgemäß benutzt wird, wie es in der Bedienungsanleitung beschreiben wird.

**Bei unsachgemäßer Anwendung kann es zu einem Armvibrationssyndrom kommen**



**WARNUNG:** Aus Gründen der

Genauigkeit, sollten bei der Schätzung der Schwingungsbelastung unter tatsächlichen Verwendungsbedingungen alle Teile des Betriebszyklus berücksichtigt werden, z. B. die Zeit, zu der das Werkzeug ausgeschaltet ist, oder die Zeit, zu der das Werkzeug läuft, aber nicht im Einsatz ist. Dies kann die Schwingungsbelastung während der gesamten Arbeitszeit erheblich verringern.

Minimieren Sie das Risiko von Vibrationen.

Warten Sie dieses Werkzeug in Übereinstimmung mit den Anweisungen und und schmieren Sie es gut ein.

Bei regelmäßiger Verwendung des Werkzeugs sollten Sie in Antivibrationszubehör investieren.

Planen Sie Ihre Arbeit so ein, dass der Einsatz von Werkzeugen mit großer Vibration auf mehrere Tage verteilt wird.

### 4. BESTIMMUNGSGEMÄSSER GEBRAUCH

Das Elektrowerkzeug ist bestimmt zum Trennen, Schruppen und Bürsten von Metall- und Stein ohne Verwendung von Wasser. Zum Trennen von Metall muss eine spezielle Schutzhaube fürs Trennen (Zubehör) verwendet werden.

## 5. HINWEISE ZUM BETRIEB



**HINWEIS:** Lesen Sie das Handbuch vor Inbetriebnahme des Werkzeuges sorgfältig durch.

### MONTAGE UND BEDIENUNG

MASSNAHME	ABBILDUNG
<b>MONTAGE</b>	
Zusatzgriff anbringen	Siehe A
Schleifmittelmontage	Siehe B1,B2,B3
<p>SCHEIBENSCHUTZ EINSTELLEN</p> <p><b>HINWEIS: Die Kodierklinke an der Schutzhaube stellt sicher, dass nur eine zum Gerätetyp passende Schutzhaube montiert werden kann. Verwenden Sie stets den richtigen Scheibentyp für Ihre Anwendung. Falls mit dem Gerät Trennschneidarbeiten durchgeführt werden sollen, so muss eine speziell für diesen Zweck konstruierte Schutzvorrichtung angebracht werden.</b></p> <p>Die Klemmschraube eventuell lösen. Die Schutzhaube mit der Kodierklinke in die Nut am Spindelhals des Gerätekopfes setzen und in die erforderliche Stellung (Arbeitsposition) drehen.</p> <p>Um den Radschutz zu befestigen, schließen Sie den Klemmhebel. Bei allen Arbeiten muss die geschlossene Seite der Schutzhaube stets zum Bediener zeigen.</p> <p><b>HINWEIS:</b> Bei geöffnetem Klemmhebel kann die Klemmeinstellschraube eingestellt werden, um sicherzustellen, dass der Schutz nach dem endgültigen Schließen des Klemmhebels fest eingespannt ist.</p>	Siehe C
<b>BETRIEB</b>	
Betätigung des Sicherheitsschalters	Siehe D
Handgriffbereiche	Siehe E
Schruppen	
<p><b>WARNUNG!</b> Verwenden Sie niemals eine Trennscheibe zum Schruppen.</p>	
Trennen	Siehe F

Den Hauptgriff umdrehen	Siehe G
Ersetzen der Kohlenbürsten	Siehe H

## ARBEITSTIPPS FÜR IHREN WINKELSCHLEIFER

- Ihr Winkelschleifer kann nicht nur zum Metalltrennen (d.h. Entfernen von Schraubenköpfen u.ä.), sondern auch zum Schruppen und Schleifen von Oberflächen (wie z.B. vor und nach Schweißarbeiten) verwendet werden.
- Verschiedene Arten von Schleifmitteln ermöglichen es dem Anwender unterschiedliche Tätigkeiten durch zu führen. Es gibt Schleif- und Trennscheiben zum Bearbeiten von Eisen, Guseisen, Stahl, Edelstahl, Stein und Ziegel. Diamantscheiben eignen sich für sehr harte Materialien.
- Wenn der Winkelschleifer für weiche Metalle, wie z.B. für Aluminium und andere, verwendet wird, kann es schnell zum Verstopfen der Schleifscheibe kommen.
- Bei Arbeiten mit dem Winkelschleifer üben Sie bitte keinen Druck auf die Scheibe aus!
- Wenn Sie einen Schlitz schneiden, stellen Sie sicher, dass die Trennscheibe mit dem Schlitz in Linie ausgerichtet ist. Das Verdrehen der Trennscheibe kann zum Brechen der Trennscheibe führen. Wenn Sie einen dünnen Blech trennen wollen, tauchen Sie die Trennscheibe nie tief ein.
- Beim Trennen von Steinen oder Ziegeln wird empfohlen, eine Staubabzugsanlage zu verwenden

## 6. WARTUNG

**Ziehen Sie grundsätzlich den Netzstecker, bevor Sie Einstell-, Reparatur- oder Wartungstätigkeiten ausführen.**

Es enthält keine Teile, die Sie warten müssen. Reinigen Sie Ihr Werkzeug niemals mit Wasser oder chemischen Loesungsmitteln. Wischen Sie es mit einem trockenen Tuch sauber. Lagern Sie Ihr Werkzeug immer an einem trockenen Platz. Sorgen Sie dafür, dass bei staubigen Arbeiten die Lüftungsöffnungen frei sind. Falls es erforderlich sein sollte, den Staub zu entfernen, trennen Sie zuerst das Elektrowerkzeug vom Stromversorgungsnetz. Verwenden Sie nichtmetallische Objekte zum Entfernen von Staub und vermeiden Sie das Beschädigen innerer Teile. Gelegentlich sind durch die Lüftungsschlitze hindurch Funken zu sehen. Dies ist normal und es wird Ihr Werkzeug nicht beschädigen. Lassen Sie ein beschädigtes Netzkabel vom Hersteller, von einem Fachhändler oder von einer ähnlich qualifizierten Person austauschen, um eine Gefährdung zu vermeiden.

## 7. PROBLEMLÖSUNG

Ihr Winkelschleifer ist leicht zu handhaben. Sollten Sie dennoch damit Probleme haben, überprüfen Sie bitte Folgendes:

1. Wenn der Winkelschleifer nicht funktioniert, überprüfen Sie zunächst, ob der Netzstecker in der Steckdose steckt.
2. Wackelt oder vibriert die Schleifscheibe, prüfen Sie, ob der äußere Flansch fest angezogen ist und ob die Scheibe korrekt auf der Flanschplatte aufgebracht ist.
3. Sollte die Scheibe Beschädigungen aufweisen, darf sie nicht mehr verwendet werden. Eine beschädigte Scheibe kann bersten. Entfernen Sie sie und ersetzen Sie sie durch eine neue Scheibe. Achten Sie auf eine ordnungsgemäße Entsorgung der alten Scheibe.
4. Bei Arbeiten mit Aluminium oder anderen weichen Legierungen verstopft die Scheibe schnell und schleift nicht mehr richtig.



2021/10/15  
Allen Ding  
Stellvertretender Cheffingenieur,  
Prüfung und Zertifizierung  
Positec Technology (China) Co., Ltd  
18, Dongwang Road, Suzhou Industrial  
Park, Jiangsu 215123, P. R. China

## 8. UMWELTSCHUTZ



Elektroprodukte dürfen nicht mit dem normalen Haushaltsmüll entsorgt werden, sondern sollten nach Möglichkeit zu einer Recyclingstelle gebracht werden. Ihre zuständigen Behörden oder Ihr Fachhändler geben Ihnen hierzu gerne Auskunft.

21

## 9. ONFORMITÄTSERKLÄRUNG

Wir,  
Positec Germany GmbH  
Postfach 32 02 16, 50796 Cologne, Germany

Erklären hiermit, dass unser Produkt  
Beschreibung **Worx Winkelschleifer**  
Typ **WX709 WX709.X (700-749 - Bezeichnung der Maschine, repräsentiert die Winkelschleifer)**  
Funktionen **Außenflächen und Kanten schleifen**

Den Bestimmungen der folgenden Richtlinien entspricht,  
**2006/42/EC**  
**2011/65/EU&(EU)2015/863**  
**2014/30/EU**

Werte nach  
**EN 55014-1, EN 55014-2**  
**EN IEC 61000-3-2, EN 61000-3-3**  
**EN 60745-1, EN 60745-2-3**

Zur Kompilierung der technischen Datei ermächtigte Person,  
**Name Marcel Filz**  
**Anschrift Positec Germany GmbH**  
**Postfach 32 02 16, 50796 Cologne, Germany**

# SOMMAIRE

1. CONSIGNES DE SCURITÉ
2. LISTE DES COMPOSANTS
3. CARACTERISTIQUES TECHNIQUES
4. UTILISATION CONFORME
5. FONCTIONNEMENT
6. ENTRETIEN
7. DÉPANNAGE
8. PROTECTION DE L'ENVIRONNEMENT
9. DECLARATION DE CONFORMITE

## 1. CONSIGNES DE SCURITÉ AVERTISSEMENTS DE SÉCURITÉ GÉNÉRAUX POUR L'OUTIL



**AVERTISSEMENT!** Lire tous les avertissements de sécurité et toutes les instructions. Ne pas suivre les avertissements et instructions peut donner lieu à un choc électrique, un incendie et/ou une blessure sérieuse.

**Conservé tous les avertissements et toutes les instructions pour pouvoir s'y reporter ultérieurement.**

Le terme «outil» dans les avertissements fait référence à votre outil électrique alimenté par le secteur (avec cordon d'alimentation) ou votre outil fonctionnant sur batterie (sans cordon d'alimentation).

### 1. SÉCURITÉ DE LA ZONE DE TRAVAIL

- a) Conservé la zone de travail propre et bien éclairée.** Les zones en désordre ou sombres sont propices aux accidents.
- b) Ne pas faire fonctionner les outils électriques en atmosphère explosive, par exemple en présence de liquides inflammables, de gaz ou de poussières.** Les outils électriques produisent des étincelles qui peuvent enflammer les poussières ou les fumées.
- c) Maintenir les enfants et les personnes présentes à l'écart pendant l'utilisation de l'outil.** Les distractions peuvent vous faire perdre le contrôle de l'outil.

### 2. SÉCURITÉ ÉLECTRIQUE

- a) Il faut que les fiches de l'outil électrique soient adaptées au socle. Ne jamais modifier la fiche de quelque façon que ce soit. Ne pas utiliser d'adaptateurs avec des outils à branchement de terre.** Des fiches non modifiées et des socles

adaptés réduiront le risque de choc électrique.

- b) Éviter tout contact du corps avec des surfaces reliées à la terre telles que les tuyaux, les radiateurs, les cuisinières et les réfrigérateurs.** Il existe un risque accru de choc électrique si votre corps est relié à la terre.
- c) Ne pas exposer les outils à la pluie ou à des conditions humides.** La pénétration d'eau à l'intérieur d'un outil augmentera le risque de choc électrique.
- d) Ne pas maltraiter le cordon. Ne jamais utiliser le cordon pour porter, tirer ou débrancher l'outil. Maintenir le cordon à l'écart de la chaleur, du lubrifiant, des arêtes ou des parties en mouvement.** Des cordons endommagés ou emmêlés augmentent le risque de choc électrique.
- e) Lorsqu'on utilise un outil à l'extérieur, utiliser un prolongateur adapté à l'utilisation extérieure.** L'utilisation d'un cordon adapté à l'utilisation extérieure réduit le risque de choc électrique.
- f) Si l'usage d'un outil dans un emplacement humide est inévitable, utiliser une alimentation protégée par un dispositif à courant différentiel résiduel (DDR).** L'usage d'un DDR réduit le risque de choc électrique.

### 3. SÉCURITÉ DES PERSONNES

- a) Restez vigilant, regardez ce que vous êtes en train de faire et faites preuve de bon sens dans votre utilisation de l'outil. Ne pas utiliser un outil lorsque vous êtes fatigué ou sous l'emprise de drogues, d'alcool ou de médicaments.** Un moment d'inattention en cours d'utilisation d'un outil peut entraîner des blessures graves des personnes.
- b) Utiliser un équipement de sécurité. Toujours porter une protection pour les yeux.** Les équipements de sécurité tels que les masques contre les poussières, les chaussures de sécurité antidérapantes, les casques ou les protections acoustiques utilisés pour les conditions appropriées réduiront les blessures de personnes.
- c) Éviter tout démarrage intempestif. S'assurer que l'interrupteur est en position arrêt avant de brancher l'outil au secteur et/ou au bloc de batteries, de le ramasser ou de le porter.** Porter les outils en ayant le doigt sur l'interrupteur ou brancher des outils dont l'interrupteur est en position marche est source d'accidents.
- d) Retirer toute clé de réglage avant de mettre l'outil en marche.** Une clé laissée fixée sur une partie tournante de l'outil peut donner lieu à des blessures de personnes.
- e) Ne pas se précipiter. Garder une position et un équilibre adaptés à tout moment.** Cela permet un meilleur contrôle de l'outil dans des situations inattendues.
- f) S'habiller de manière adaptée. Ne pas porter**

**de vêtements amples ou de bijoux. Garder les cheveux, les vêtements et les gants à distance des parties en mouvement.** Des vêtements amples, des bijoux ou les cheveux longs peuvent être pris dans des parties en mouvement.

- g) Si des dispositifs sont fournis pour le raccordement d'équipements pour l'extraction et la récupération des poussières, s'assurer qu'ils sont connectés et correctement utilisés.** Utiliser des collecteurs de poussière peut réduire les risques dus aux poussières.

#### **4. UTILISATION ET ENTRETIEN DE L'OUTIL**

- a) Ne pas forcer l'outil. Utiliser l'outil adapté à votre application.** L'outil adapté réalisera mieux le travail et de manière plus sûre au régime pour lequel il a été construit.
- b) Ne pas utiliser l'outil si l'interrupteur ne permet pas de passer de l'état de marche à arrêt et vice versa.** Tout outil qui ne peut pas être commandé par l'interrupteur est dangereux et il faut le réparer.
- c) Débrancher la fiche de la source d'alimentation en courant et/ou le bloc de batteries de l'outil avant tout réglage, changement d'accessoires ou avant de ranger l'outil.** De telles mesures de sécurité préventives réduisent le risque de démarrage accidentel de l'outil.
- d) Conserver les outils à l'arrêt hors de la portée des enfants et ne pas permettre à des personnes ne connaissant pas l'outil ou les présentes instructions de le faire fonctionner.** Les outils sont dangereux entre les mains d'utilisateurs novices.
- e) Observer la maintenance de l'outil. Vérifier qu'il n'y a pas de mauvais alignement ou de blocage des parties mobiles, des pièces cassées ou toute autre condition pouvant affecter le fonctionnement de l'outil. En cas de dommages, faire réparer l'outil avant de l'utiliser.** De nombreux accidents sont dus à des outils mal entretenus.
- f) Garder affûtés et propres les outils permettant de couper.** Des outils destinés à couper correctement entretenus avec des pièces coupantes tranchantes sont moins susceptibles de bloquer et sont plus faciles à contrôler.
- g) Utiliser l'outil, les accessoires et les lames etc., conformément à ces instructions, en tenant compte des conditions de travail et du travail à réaliser.** L'utilisation de l'outil pour des opérations différentes de celles prévues pourrait donner lieu à des situations dangereuses.

#### **5. MAINTENANCE ET ENTRETIEN**

- a) Faire entretenir l'outil par un réparateur qualifié utilisant uniquement des pièces de**

**rechange identiques.** Cela assurera le maintien de la sécurité de l'outil.

## **INSTRUCTIONS DE SECURITE POUR TOUT USAGE**

### **AVERTISSEMENTS DE SECURITE COMMUNS POUR LES OPERATIONS DE TRONÇONNAGE PAR MEULAGE OU ABRASION:**

- a) Cet outil est destiné à faire office de broyeuse, ou instrument de coupe. Lisez tous les avertissements de sécurité, instructions, illustrations et spécifications fournies avec l'outil.** En ne suivant pas toutes les instructions listées ci-dessous, vous vous exposez à une possible électrocution, un incendie et/ou des blessures graves.
- b) Il n'est pas recommandé de réaliser les opérations telles que le brossage, le polissage avec cet outil.** Les opérations pour lesquelles l'outil électrique a été conçu peuvent représenter un danger et causer des blessures corporelles.
- c) N'utilisez pas d'accessoires qui ne soient pas conçus et recommandés spécifiquement par le fabricant de l'outil.** Le fait que l'accessoire puisse se fixer sur votre outil n'assure pas son fonctionnement en toute sécurité.
- d) La vitesse nominale de l'accessoire doit être supérieure ou égale à la vitesse maximale indiquée sur l'outil.** Les accessoires qui tournent plus rapidement que leur valeur nominale peuvent voler en éclats,
- e) Le diamètre externe et l'épaisseur de votre accessoire doivent être dans la plage de capacité nominale de votre outil.** Les accessoires mal dimensionnés ne peuvent pas être protégés ni commandés de façon adéquate.
- f) Le montage fileté d'accessoires doit être adapté au filet de l'arbre de la meuleuse. Pour les accessoires montés avec des flasques, l'alésage central de l'accessoire doit s'adapter correctement au diamètre du flasque.** Les accessoires qui ne correspondent pas aux éléments de montage de l'outil électrique seront en déséquilibre, vibreront de manière excessive et pourront provoquer une perte de contrôle.
- g) N'utilisez pas un accessoire endommagé. Vérifiez, avant chaque utilisation, que les accessoires comme les disques abrasifs ne soient pas fendus ni fêlés, que les plateaux ne soient ni fissurés ni excessivement usés. Si l'outil est tombé, inspectez les dégâts ou installez un accessoire non endommagé. Après inspection et installation d'un accessoire, placez-vous, ainsi que les observateurs, à l'écart du plan de rotation de l'accessoire et faites tourner l'outil à vide et à pleine vitesse pendant une minute. Un**

accessoire endommagé va normalement casser pendant cette durée de test.

**h) Portez des équipements de protection personnels. Selon l'application, utilisez une protection de visage, des lunettes de sécurité ou un masque de sécurité. Selon le cas, portez un masque contre la poussière, des protections auditives, des gants et un tablier pouvant arrêter les petits fragments d'abrasif ou de la pièce.** La protection pour les yeux doit être capable d'arrêter les débris volant générés par les différentes opérations. Le masque contre les poussières ou le respirateur doit être capable de filtrer les particules générées par l'utilisation. Une exposition prolongée à du bruit de forte intensité peut causer une perte de l'ouïe.

**i) Tenez les observateurs à une distance de sécurité de la zone de travail. Quiconque entrant dans la zone de travail doit porter des équipements de protection personnels.** Des fragments de la pièce ou un accessoire cassé peuvent voler et causer des blessures dans les environs immédiates de la zone d'utilisation.

**j) Tenez l'outil uniquement par les surfaces de prise en main isolantes lorsque vous effectuez une opération où l'accessoire de coupe peut entrer en contact avec des fils cachés ou avec son propre cordon.** Le contact de l'accessoire coupant avec un fil « sous tension » peut mettre « sous tension » les parties métalliques exposées de l'outil électrique et provoquer un choc électrique sur l'opérateur.

**k) Placez le cordon à distance de l'accessoire en rotation.** Si vous perdez le contrôle de l'outil, le cordon peut être coupé ou accroché, et votre main ou votre bras peuvent être entraînés vers l'accessoire en rotation.

**l) Ne posez jamais l'outil tant que l'accessoire ne s'est pas complètement arrêté.** L'accessoire en rotation peut accrocher une surface et vous faire perdre le contrôle de l'outil,

**m) Ne faites pas tourner l'outil quand vous le portez sur le côté.** Un contact accidentel avec l'accessoire en rotation peut accrocher vos vêtements, et entraîner l'accessoire vers votre corps.

**n) Nettoyez régulièrement les ouïes de ventilation de l'outil électrique.** Le ventilateur du moteur attire la poussière à l'intérieur du boîtier et une accumulation excessive de poudre métallique peut représenter un danger électrique.

**o) N'utilisez pas l'outil près de matériaux inflammables.** Des étincelles peuvent enflammer ces matériaux.

**p) N'utilisez pas des accessoires qui requièrent des liquides de refroidissement.** L'utilisation d'eau ou d'un autre liquide de refroidissement peut conduire à une électrocution ou un choc électrique.

q) Vous devez tenir les poignées avec les deux

main lorsque vous travaillez. Utilisez toujours les poignées auxiliaires fournies avec l'outil. Les pertes de contrôle peuvent causer des blessures.

## INSTRUCTIONS DE SÉCURITÉ SUPPLÉMENTAIRES POUR TOUT USAGE

### Avertissements liés aux retours d'efforts

Le retour d'effort est la réaction soudaine à un outil, un plateau, une brosse ou un autre accessoire en rotation et qui est pincé ou accroché. Le pincement ou l'accrochage cause un calage rapide de l'accessoire rotatif qui à son tour force l'outil, devenu incontrôlable, dans le sens opposé à la rotation de l'accessoire, au niveau du point de grippage.

Par exemple, un disque abrasif est accroché ou pincé par la pièce à usiner, le bord du disque qui subit le pincement peut creuser la surface du matériau forçant le disque à sortir ou s'éjecter. Le disque peut soit sauter vers l'opérateur, soit dans le sens opposé, selon la direction de mouvement au point de pincement. Les disques abrasifs peuvent également se briser sous certaines conditions.

Le retour d'effort est le résultat d'une mauvaise utilisation de l'outil et/ou de procédures ou de conditions d'utilisation incorrectes, et il peut être évité en prenant les précaution ci-dessous.

**a) Maintenez une prise en main ferme sur l'outil et placez votre corps et votre bras de façon à résister aux retours d'efforts. Utilisez toujours la poignée auxiliaire, si elle existe, pour un contrôle maximum du retour d'effort et du couple réactif au démarrage.** L'utilisateur peut contrôler le couple réactif ou les retours d'effort en prenant des précautions appropriées.

**b) Ne placez jamais votre main près de l'accessoire rotatif.** L'accessoire peut subir un retour d'effort vers votre main.

**c) Ne placez pas votre corps dans la zone où l'outil électrique se déplacerait en cas de retour d'effort,** le retour d'effort propulse l'outil dans le sens opposé au mouvement du disque, au niveau du point d'accrochage.

**d) Faites très attention lors du travail dans les angles, sur les arêtes vives etc., et évitez le rebond et l'accrochage de l'accessoire.** Les coins, les arêtes vives et les rebonds ont tendance à bloquer l'accessoire rotatif et peuvent causer une perte de contrôle ou un retour d'effort.

**e) N'attachez pas une lame à sculpter de tronçonneuse ou une lame de scie dentée.** Ces lames créent des risques fréquents de rebond et de perte de contrôle



## INSTRUCTIONS DE SÉCURITÉ SUPPLÉMENTAIRES POUR LE BROYAGE ET LA COUPE

**Avertissements de sécurité spécifiques aux opérations de meulage et de découpe abrasive:**

- a) N'utilisez que les types de disques recommandés pour votre outil électrique, avec la protection conçue spécialement pour le disque choisi.** Les disques pour lesquels l'outil électrique n'a pas été prévu ne peuvent pas être correctement protégés et ne sont pas sûrs.
- b) La surface de meulage des meules à moyen déporté doit être montée sous le plan de la lèvre du protecteur.** Une meule montée de manière incorrecte qui dépasse du plan de la lèvre du protecteur ne peut pas être protégée de manière appropriée.
- c) La protection doit être fermement fixée à l'outil électrique et placée en vue d'une sécurité maximale, de sorte que le disque soit le moins exposé possible vers l'utilisateur.** Le protecteur permet de protéger l'opérateur des fragments de meule cassée, d'un contact accidentel avec la meule et d'étincelles susceptibles d'enflammer les vêtements.
- d) Les disques doivent être utilisés seulement pour les applications recommandées. Par exemple: ne meulez pas avec le bord d'un disque de coupe.** Les disques de coupe abrasive sont conçus pour le meulage périphérique, les forces latérales appliquées à de tels disques peuvent les casser.
- e) Utilisez toujours des collerettes de disques non endommagées et de taille et forme correctes pour le disque choisi.** Des collerettes de disques adaptées supportent le disque et réduisent ainsi le risque de casse. Les collerettes des disques de découpe peuvent être différentes de celles des disques à meuler.
- f) N'utilisez pas de disques usés d'outils électriques plus gros.** Les disques prévus pour des outils électriques plus gros ne conviennent pas pour les vitesses élevées d'outils plus petits et peuvent éclater.

## INSTRUCTIONS DE SÉCURITÉ SUPPLÉMENTAIRES POUR LA COUPE

**Avertissements de sécurité supplémentaires spécifiques aux opérations de découpe abrasive:**

- a) Ne "bloquez" pas le disque de découpe et n'exercez pas de pression excessive. N'essayez pas de faire une profondeur de coupe excessive.** Une sur-contrainte du disque augmente la charge et la

susceptibilité du disque à la torsion ou aux efforts dans la coupe, ainsi que l'éventualité d'un retour d'effort ou de casse du disque.

- b) Ne placez pas votre corps dans l'axe ni derrière le disque en rotation.** Lorsque le disque, au point de fonctionnement, s'éloigne de votre corps, le retour d'effort possible peut propulser le disque en rotation et l'outil électrique directement vers vous.
- c) Lorsque le disque est en contrainte ou lorsque vous arrêtez la coupe pour une raison quelconque, éteignez l'outil électrique et maintenez l'outil immobile jusqu'à ce que le disque soit à l'arrêt complet. N'essayez jamais d'enlever le disque de coupe de la coupe pendant qu'il est en mouvement sous peine de risque de retour d'effort.** Investiguez et prenez des actions correctrices pour éliminer la cause de la contrainte au niveau du disque.
- d) Ne redémarrez pas l'opération de coupe sur la pièce à usiner. Laissez le disque atteindre sa pleine vitesse et re-pénétrez dans la coupe avec précaution.** Le disque peut, se soulever ou renvoyer un retour d'effort si l'outil électrique est redémarré dans la pièce,
- e) Soutenez les panneaux ou toute pièce de grandes dimensions, afin de minimiser le risque de pincement de disque et de retour d'effort.** Les grandes pièces ont tendance à se plier sous leur propre poids. Les supports doivent être placés sous la pièce près de la ligne de coupe et près du bord de la pièce des deux côtés du disque.
- f) Faites très attention quand vous faites une "découpe en poche" dans des murs existants ou d'autres zones aveugles.** Le disque protubérant peut couper des tuyaux de gaz ou d'eau, des fils électriques ou des objets pouvant provoquer un retour d'effort.

## CONSIGNES DE SÉCURITÉ SUPPLÉMENTAIRES POUR MEULEUSE D'ANGLE



**AVERTISSEMENT:** Assurez-vous que la poignée est en position verrouillée avant de démarrer la meuleuse d'angle. La rotation de la poignée n'est autorisée que lorsqu'elle est éteinte.

## SYMBOLES



Pour réduire le risque de blessure, l'utilisateur doit lire le mode d'emploi.

	Classe de protection
	Avertissement
	Porter une protection pour les oreilles
	Porter une protection pour les yeux
	Porter un masque contre la poussière
	Porter des gants de protection.
	Veillez vous assurer que l'outil est débranché avant de modifier les accessoires.
	Verrouiller
	Déverrouiller
	Les déchets d'équipements électriques et électroniques ne doivent pas être déposés avec les ordures ménagères. Ils doivent être collectés pour être recyclés dans des centres spécialisés. Consultez les autorités locales ou votre revendeur pour obtenir des renseignements sur l'organisation de la collecte.

## 2. LISTE DES COMPOSANTS


<b>1.</b>	<b>POIGNÉE AUXILIAIRE</b>
<b>2.</b>	<b>POIGNÉE ARRIÈRE</b>
<b>3.</b>	<b>BOUTON ON / OFF</b>
<b>4.</b>	<b>BOUTON DE VERROUILLAGE</b>
<b>5.</b>	<b>COUVERCLE DE BROSSÉ</b>
<b>6.</b>	<b>PROTECTEUR DE MEULE POUR LE MEULAGE</b>

<b>7.</b>	<b>DISQUE ABRASIF *</b>
<b>8.</b>	<b>BOUTON DE VERROUILLAGE DE LA BROCHE</b>
<b>9.</b>	<b>CLE A MOLETTE</b>
<b>10.</b>	<b>CHAMP INTÉRIEUR</b>
<b>11.</b>	<b>CHAMP EXTÉRIEUR</b>
<b>12.</b>	<b>PROTECTEUR DE MEULE POUR LA COUPE</b>
<b>13.</b>	<b>LEVIER DE SERRAGE DE GARDE</b>

\* Les accessoires reproduits ou décrits ne sont pas tous compris avec le modèle standard livré.

## 3. CARACTÉRISTIQUES TECHNIQUES

Modèle **WX709 WX709.X (700-749 -désignations des pièces, illustration de la Meuleuse d'angle)**

	<b>WX709 WX709.X **</b>
Tension	230-240 V~50 Hz
Puissance d'entrée	2350 W
Vitesse sans chargement	6500 /min
Taille de disque	230 mm
Forage de disque	22.2 mm
Filet de vis de broche	M14
Diamètre des meules	230 mm
Épaisseur de la meule (max.)	6 mm
Classe de protection	 /II
Poids de la machine	5.7 kg

\*\* X = 1-999, A-Z, M1-M9, la seule différence entre ces modèles est que les clients visés sont différents. Il n'y a pas de changement concernant la sécurité.

Nous recommandons d'acheter tous les accessoires dans le magasin d'acquisition de l'outil. Pour plus d'informations, se référer à l'emballage des accessoires. Le personnel du magasin est également là pour vous conseiller.

## INFORMATIONS RELATIVES AU BRUIT

Niveau de pression acoustique pondéré A  $L_{pA}$ : 96 dB(A)

Niveau de puissance acoustique pondéré A  $L_{wA}$ : 107 dB(A)

$K_{pA}$  &  $K_{wA}$  3.0dB(A)

**Porter une protection pour les oreilles.** 


## INFORMATIONS RELATIVES AUX VIBRATIONS

Valeurs totales de vibrations déterminées selon l'EN60745

Meulage de surface	Valeur d'émission de vibrations: $a_{h,AG} = 8.4 \text{ m/s}^2$
	Incertitude $K = 1.5 \text{ m/s}^2$

- la valeur totale de vibration déclarée a été mesurée conformément à une méthode d'essai standard et peut être utilisée pour comparer un outil avec un autre ;

- la valeur totale de vibration déclarée peut également être utilisée dans une évaluation préliminaire de l'exposition.

 **AVERTISSEMENT:** La valeur d'émission de vibrations pendant l'utilisation réelle de l'outil électrique peut différer de la valeur déclarée selon la façon dont l'outil est utilisé, selon les exemples suivants et d'autres variations sur la façon dont l'outil est utilisé:

Comment l'outil est utilisé et quels matériaux sont coupés ou percés.


L'outil est en bon état et bien entretenu.

L'utilisation du bon accessoire pour l'outil et l'assurance qu'il est affûté et en bon état.

Le serrage du grip sur les poignées et le cas échéant les accessoires anti-vibrations utilisés.

Et l'outil est utilisé comme prévu dans sa conception et dans les présentes instructions.

Cet outil peut causer un syndrome de vibration du bras et de la main s'il n'est pas correctement géré.

 **AVERTISSEMENT:** Pour être précise, une évaluation du niveau d'exposition en conditions réelles d'utilisation doit également tenir compte de toutes les parties du cycle d'utilisation telles que les moments où l'outil est éteint, et ceux où il fonctionne au ralenti mais ne réalise pas

réellement de tâche. Ceci peut réduire de façon significative le niveau d'exposition et la période de fonctionnement totale.

Aider à minimiser le risque d'exposition aux vibrations. Utilisez TOUJOURS des ciseaux, des forets et des lames affûtés

Entretenez cet outil en accord avec les présentes instructions et maintenez-le lubrifié (si approprié)


Si l'outil doit être utilisé régulièrement, alors investissez dans des accessoires anti-vibrations.

Planifiez votre travail pour étaler toute utilisation d'outil à fortes vibrations sur plusieurs jours.

## 4. UTILISATION CONFORME:

L'appareil est conçu pour le tronçonnage, le meulage et le brossage des matériaux en métal et en pierre sans utilisation d'eau. Pour le tronçonnage de métal, utiliser un capot de protection spécialement conçu pour le tronçonnage (accessoire).

## 5. FONCTIONNEMENT

 **REMARQUE:** Avant d'utiliser cet outil, lire attentivement le mode d'emploi.

### ASSEMBLAGE ET FONCTIONNEMENT

Action	Figure
<b>ASSEMBLAGE</b>	
Reglage de la poignée auxiliaire	Voir A
Assemblage disque de meulage / de coupe	Voir B1, B2, B3

27

Réglage du protecteur

**REMARQUE: Pour les travaux avec des disques de meulage ou de coupe, le protecteur doit être monté. Utilisez toujours le type de disque adapté à votre application. Si l'unité doit être employée pour des opérations de découpe, un carter de protection spécifique doit être installé.**

Le capot de protection doit être monté pour les travaux avec des disques à arborer et à tronçonner.

Le nez de codage se trouvant sur le capot de protection assure que seul le capot de protection approprié au type d'appareil puisse être monté.

Ouvrir le levier de serrage

Monter le capot de protection avec le nez de codage sur le col de la broche de la tête de l'appareil en veillant à ce que le nez de codage prenne correctement dans la rainure ; tourner le capot de protection 6 dans la position requise (position de travail).

Pour serrer le capot de protection, fermer le levier de serrage.

Le côté fermé du capot de protection doit toujours être dirigé vers l'utilisateur.

**REMARQUE:** Lorsque le levier de serrage est ouvert, la vis de réglage de la pince peut être ajustée pour s'assurer que la protection est fermement serrée après que le levier de serrage est finalement fermé.

Voir C

## FNCTIONNEMENT

Interrupteur marche / arrêt sécurisé

Voir D

Zones de prehension

Voir E

Meulage de dégrossissage

 **MISE EN GARDE!** Ne jamais utiliser de disque de coupe pour dégrossir.

Travaux de tronçonnage

Voir F

Pour utiliser la poignée rotative

Voir G

Pour remplacer les brosses

Voir H

## CONSEILS DE TRAVAIL POUR VOTRE MEULEUSE

1. Votre meuleuse d'angle est utile à la fois pour couper des métaux, c'est-à-dire pour enlever les têtes de vis, et aussi pour nettoyer / préparer les surfaces, c'est-à-dire avant et après les opérations de soudage.
2. Différents types de meules / couteaux permettront

au broyeur de répondre à différents besoins. En règle générale, les meules / couteaux sont disponibles pour l'acier doux, l'acier inoxydable, la pierre et la brique. Des disques imprégnés de diamant sont disponibles pour les matériaux très durs.

3. Si la meuleuse est utilisée sur des métaux tendres comme l'aluminium, la meule va bientôt se boucher et devra être changée.
4. À tout moment, laissez la meuleuse faire le travail, ne la forcez pas et n'appliquez pas de pression excessive sur le meule / le disque.
5. En cas de découpe d'une fente, assurez-vous que le couteau reste aligné avec la fente, la rotation de celui-ci peut entraîner l'éclatement du disque. Si la coupe se fait sur le matériau uniquement sous forme de plaque mince, une pénétration excessive peut augmenter les risques de dommages.
6. Si vous coupez de la pierre ou de la brique, il est conseillé d'utiliser un aspirateur.

## 6. ENTRETIEN

**Retirer la fiche de la prise avant de procéder à un réglage, une réparation ou un entretien.**

Il n'y a pas de pièces réparables par l'utilisateur dans cet outil. Ne jamais utiliser d'eau ou de nettoyants chimiques pour nettoyer l'outil. Nettoyer avec un chiffon sec. Toujours conserver l'outil motorisé dans un endroit sec. Maintenir les fentes de ventilation du moteur propres. Empêcher que les commandes de marche soient couvertes de poussière. Il est normal que des étincelles soient visibles dans les fentes de ventilation, cela n'endommagera pas l'outil motorisé. Si l'alimentation est endommagée, elle doit être remplacée par le fabricant, son agent de maintenance ou une personne qualifiée de façon similaire, afin d'éviter tout danger.

## 7. DÉPANNAGE

Bien que votre meuleuse d'angle soit simple à utiliser, et si vous rencontrez des problèmes, vérifiez d'abord les points suivants:

1. Si votre meuleuse ne fonctionne pas, vérifiez la présence de courant sur la prise d'alimentation.
2. Si le disque de la meuleuse tremble ou vibre, vérifiez que le fl asque extérieur est bien serré. Vérifiez également que le disque est correctement installé sur le flasque intérieur.
3. Si la meule est endommagée, n'utilisez pas votre meuleuse. Une meule ébréchée risque de se casser lors de l'utilisation – Risque de blessure.
4. Si vous meulez de l'aluminium ou tout autre alliage tendre, le disque risque d'être rapidement encrassé et de ne plus meuler correctement.

## 8. PROTECTION DE L'ENVIRONNEMENT



Les déchets d'équipements électriques et électroniques ne doivent pas être déposés avec les ordures ménagères. Ils doivent être collectés pour être recyclés dans des centres spécialisés. Consultez les autorités locales ou votre revendeur pour obtenir des renseignements sur l'organisation de la collecte.

## 9. DÉCLARATION DE CONFORMITÉ

Nous,  
Positec Germany GmbH  
Postfach 32 02 16, 50796 Cologne, Germany

Déclarons que ce produit,  
Description **Worx Meuleuse d'angle**  
Modèle **WX709 WX709.X (700-749 - désignations des pièces, illustration de la Meuleuse d'angle)**  
Fonctions **Meulage périphérique et latéral**

Est conforme aux directives suivantes,  
**2006/42/EC**  
**2011/65/EU & (EU)2015/863**  
**2014/30/EU**

Est conforme aux normes  
**EN 55014-1, EN 55014-2**  
**EN IEC 61000-3-2, EN 61000-3-3**  
**EN 60745-1, EN 60745-2-3**

La personne autorisée à compiler le dossier technique,  
Nom **Marcel Filz**  
Address **Positec Germany GmbH**  
Postfach **32 02 16, 50796 Cologne, Germany**



2021/10/15  
Allen Ding  
Ingénieur en chef adjoint, Essais & Certification  
Positec Technology (China) Co., Ltd  
18, Dongwang Road, Suzhou Industrial  
Park, Jiangsu 215123, P. R. China

## SOMMARIO

1. ISTRUZIONI DI SICUREZZA
2. ELENCO COMPONENTI
3. DATI TECNICI
4. USO CONFORME ALLE NORME
5. ISTRUZIONI SUL FUNZIONAMENTO
6. MANUTENZIONE
7. RISOLUZIONE DEI PROBLEMI
8. TUTELA AMBIENTALE
9. DICHIARAZIONE DI CONFORMITÀ

## 1. ISTRUZIONI DI SICUREZZA AVVISI GENERALI PER LA SICUREZZA DEGLI UTENSILI A MOTORE



**ATTENZIONE! È assolutamente necessario leggere attentamente tutte le istruzioni.**

Eventuali errori nell'adempimento delle istruzioni qui di seguito riportate potranno causare scosse elettriche, incendi e/o lesioni gravi.

**Conservare tutti gli avvisi e le istruzioni per poterle consultare quando necessario.**

Il termine qui di seguito utilizzato «utensile elettrico» si riferisce ad utensili elettrici alimentati dalla rete (con linea di allacciamento), nonché ad utensili elettrici alimentati a pile (senza linea di allacciamento).

1. **POSTO DI LAVORO**
  - a) **Mantenere pulito ed ordinato il posto di lavoro.** Il disordine e le zone di lavoro non illuminate possono essere fonte di incidenti.
  - b) **Evitare d'impiegare l'utensile in ambienti soggetti al rischio di esplosioni nei quali si trovino liquidi, gas o polveri infiammabili.** Gli utensili elettrici producono scintille che possono far infiammare la polvere o i gas.
  - c) **Mantenere lontani i bambini ed alter persone durante l'impiego dell'utensile elettrico.** Eventuali distrazioni potranno comportare la perdita del controllo sull'utensile.
2. **SICUREZZA ELETTRICA**
  - a) **La spina per la presa di corrente dovrà essere adatta alla presa. Evitare assolutamente di apportare modifiche alla spina. Non impiegare spine adattatrici assieme ad utensili con collegamento a terra.** Le spine non modificate e le prese adatte allo scopo riducono il rischio di scosse elettriche.
  - b) **Evitare il contatto fisico con superfici**

**collegate a terra, come tubi, riscaldamenti, cucine elettriche e frigoriferi.** Sussiste un maggior rischio di scosse elettriche nel momento in cui il corpo è messo a massa.

- c) Custodire l'utensile al riparo dalla pioggia o dall'umidità.** L'eventuale infiltrazione di acqua in un utensile elettrico va ad aumentare il rischio d'insorgenza di scosse elettriche.
- d) Non usare il cavo per scopi diversi da quelli previsti al fine di trasportare o appendere l'apparecchio, oppure di togliere la spina dalla presa di corrente. Mantenere l'utensile al riparo da fonti di calore, dall'olio, dagli spigolo da parti di strumenti in movimento.** I cavi danneggiati o aggrovigliati aumentano il rischio d'insorgenza di scosse elettriche.
- e) Qualora si voglia usare l'utensile all'aperto, impiegare solo ed esclusivamente cavi di prolunga omologati per l'impiego all'esterno.** L'uso di un cavo di prolunga omologato per l'impiego all'esterno riduce il rischio d'insorgenza di scosse elettriche.
- f) Se si deve utilizzare l'utensile a motore in un luogo umido, utilizzare una fonte di alimentazione con protezione a corrente residua.** L'uso di un dispositivo a corrente residua riduce il rischio di folgorazioni elettriche.

### 3. SICUREZZA DELLE PERSONE

- a) È importante concentrarsi su ciò che si sta facendo e a maneggiare con giudizio l'utensile elettrico durante le operazioni di lavoro. Non utilizzare l'utensile in caso di stanchezza o sotto l'effetto di droghe, bevande alcoliche e medicinali.** Un attimo di distrazione durante l'uso dell'utensile potrà causare lesioni gravi.
- b) Indossare sempre equipaggiamento protettivo individuale, nonché guanti protettivi.** Se si avrà cura d'indossare equipaggiamento protettivo individuale come la maschera antipolvere, la calzatura antisdrucciolevole di sicurezza, il casco protettivo o la protezione dell'udito, a seconda dell'impiego previsto per l'utensile elettrico, si potrà ridurre il rischio di ferite.
- c) Evitare avviamenti involontari. Controllare che l'interruttore sia nella posizione off prima di effettuare il collegamento a una sorgente di alimentazione/batteria, e prima di sollevare o trasportare l'utensile.** Il fatto di tenere il dito sopra all'interruttore o di collegare l'utensile acceso all'alimentazione di corrente potrà essere causa di incidenti.
- d) Togliere gli attrezzi di regolazione o la chiave inglese prima di accendere l'utensile.** Un utensile o una chiave inglese che si trovino in una parte di strumento in rotazione potranno causare lesioni.
- e) È importante non sopravvalutarsi. Avere**

**curadi mettersi in posizione sicura e di mantenere l'equilibrio.** In tale maniera sarà possibile controllare meglio l'apparecchio in situazioni inaspettate.

- f) Indossare vestiti adeguati. Evitare di indossare vestiti lenti o gioielli. Tenere i capelli, i vestiti ed i guanti lontani da pezzi in movimento.** Vestiti lenti, gioielli o capelli lunghi potranno impigliarsi in pezzi in movimento.
  - g) Se sussiste la possibilità di montare dispositivi di aspirazione o di captazione della polvere, assicurarsi che gli stessi siano stati installati correttamente e vengano utilizzati senza errori.** L'impiego dei suddetti dispositivi diminuisce il pericolo rappresentato dalla polvere.
- ### 4. Maneggio ed impiego accurato di utensili elettrici
- a) Non sovraccaricare l'utensile. Impiegare l'utensile elettrico adatto per sbrigare il lavoro.** Utilizzando l'utensile elettrico adatto si potrà lavorare meglio e con maggior sicurezza nell'ambito della gamma di potenza indicata.
  - b) Non utilizzare utensili elettrici con interruttori difettosi.** Un utensile elettrico che non si può più accendere o spegnere è pericoloso e dovrà essere riparato.
  - c) Scollegare la spina dalla sorgente di alimentazione e/o la batteria dall'utensile prima di effettuare regolazione, cambiare accessori, o riporre gli utensili a motore.** Tale precauzione eviterà che l'apparecchio possa essere messo in funzione inavvertitamente.
  - d) Custodire gli utensili elettrici non utilizzati al di fuori della portata dei bambini. Non fare usare l'apparecchio a persone che non sono abituate ad usarlo o che non abbiano letto le presenti istruzioni.** Gli utensili elettrici sono pericolosi se utilizzati da persone inesperte.
  - e) Effettuare accuratamente la manutenzione dell'apparecchio. Verificare che le parti mobili dello strumento funzionino perfettamente e non s'inceppino, che non ci siano pezzi rotti o danneggiati al punto tale da limitare la funzione dell'apparecchio stesso. Far riparare le parti danneggiate prima d'impiegare l'apparecchio.** Numerosi incidenti vengono causati da utensili elettrici la cui manutenzione è stata effettuata poco accuratamente.
  - f) Mantenere affilati e puliti gli utensili da taglio.** Gli utensili da taglio curati con particolare attenzione e con taglianti affilati s'inceppano meno frequentemente e sono più facili da condurre.
  - g) Utilizzare utensili elettrici, accessori, attrezzi, ecc. in conformità con le presenti istruzioni e secondo quanto previsto per questo tipo specifico di apparecchio. Osservare le condizioni di lavoro ed il lavoro da eseguirsi durante l'impiego.** L'impiego di

utensili elettrici per usi diversi da quelli consentiti potrà dar luogo a situazioni di pericolo.

## 5. ASSISTENZA

- a) Fare riparare l'apparecchio solo ed esclusivamente da personale specializzato e solo impiegando pezzi di ricambio originali.**

In tale maniera potrà essere salvaguardata la sicurezza dell'apparecchio.

# ISTRUZIONI SULLA SICUREZZA PER OGNI TIPO DI FUNZIONAMENTO

## AVVISI DI SICUREZZA COMUNI PER LE OPERAZIONI DI LEVIGATURA E TAGLIO:

- a) Questo utensile elettrico può funzionare come molatrice, o come strumento per il taglio. Leggere tutti gli avvisi sulla sicurezza, le istruzioni, le illustrazioni e le specifiche fornite con questo utensile elettrico.** La mancata osservanza di queste istruzioni può esporre al rischio di folgorazioni elettriche, incendio e/o altre lesioni gravi.
- b) Non si consiglia l'esecuzione di operazioni quali pulizia con spazzola metallica, e lucidatura con questo utensile.** L'esecuzione di operazioni per le quali l'utensile non è stato realizzato può esporre a rischi e lesioni personali.
- c) Non utilizzare accessori che non sono stati realizzati in modo specifico e consigliati dal costruttore.** Il fatto che sia possibile attaccare gli accessori sull'utensile non è garanzia di funzionamento sicuro.
- d) La velocità nominale dell'accessorio deve essere almeno pari alla velocità massima dell'utensile.** Accessori con velocità superiori a quella nominale possono essere proiettati via.
- e) Il diametro esterno e lo spessore dell'accessorio devono essere compresi in quelli accettati dall'utensile.** Non è possibile proteggere o controllare in modo adeguato accessori di dimensioni errate.
- f) Accessori con filetto riportato devono essere adatti in modo preciso alla filettatura dell'alberino. Negli accessori che vengono montati tramite flangia, il diametro del foro dell'accessorio deve corrispondere al diametro di alloggiamento della flangia.** Accessori che non vengono fissati in modo preciso all'elettrotensile non ruotano in modo uniforme, vibrano molto forte e possono provocare la perdita del controllo.
- g) Non usare accessori danneggiati. Prima di ogni uso ispezionare l'accessorio, quali dischi abrasive per verificare la presenza di schegge e fessure, i supporti dei tamponi per**

**controllare la presenza di fessure, usura o eccessiva usura. Se l'utensili o l'accessorio vengono fatti cadere, ispezionarli per verificare la presenza di danni, o utilizzare un accessorio non danneggiato. Dopo aver posizionato e installato un accessorio, posizionarsi e far collocare eventuali altre persone al di fuori del piano di rotazione dell'accessorio e far girare l'utensile senza carico per un minuto.** Normalmente gli accessori danneggiati si rompono durante l'esecuzione di questa prova.

- h) Indossare dispositivi di protezione individuali. In funzione dell'applicazione, usare una maschera per il volto, occhiali protettivi o occhiali di sicurezza. Se necessario indossare una mascherina per la polvere, dispositivi di protezione per l'udito, guanti e grembiule in grado di arrestare eventuali frammenti di piccole dimensioni.** La protezione degli occhi deve essere in grado di arrestare piccolo frammenti generate dalle diverse operazioni. La mascherina antipolvere e il respiratore devono essere in grado di filtrare le particelle che si creano con il lavoro. L'esposizione prolungata a rumori molto forti può provocare la perdita dell'udito.
- i) Far sostare altre persone a distanza di sicurezza dall'area di lavoro. Chi accede all'area di lavoro deve indossare un dispositivo di protezione individuale.** Frammenti dell'oggetto su cui si sta lavorando o derivanti dalla eventuale rottura di un accessorio potrebbero essere proiettati via e provocare lesioni personali nell'area immediatamente attigua alla zona di lavoro.
- j) Tenere l'utensile solo utilizzando le apposite superfici, in particolare durante l'esecuzione di operazioni nelle quali l'accessorio per il taglio può venire a contatto con cavi nascosti o con il proprio cavo di alimentazione.** Il contatto con un cavo sotto tensione può mettere sotto tensione anche parti metalliche dell'apparecchio, causando una scossa elettrica.
- k) Posizionare il cavo in modo che sia distante dall'accessorio rotante.** Se si perde il controllo, il cavo potrebbe essere danneggiato o catturato e braccio e mano potrebbero essere tirati verso l'accessorio mentre è in rotazione.
- l) Non poggiare mai l'utensile fino a quando l'accessorio non si è arrestato completamente.** L'accessorio, se ancora in rotazione, potrebbe far presa sulla superficie e far perdere il controllo dell'utensile.
- m) Non azionare l'utensile mentre lo si trasporta lateralmente.** Il contatto accidentale con l'accessorio in rotazione potrebbe far catturare parti degli indumenti, che verrebbero trascinati all'interno dell'accessorio.
- n) Pulire con regolarità le aperture per la**

**ventilazione dell'utensile.** Le ventole del motore aspirano all'interno della scocca la polvere, e un accumulo eccessivo di polvere può esporre al rischio di folgorazioni.

- o) Non azionare l'utensile in prossimità di materiali infiammabili.** Le scintille potrebbero provocare l'accensione di tali materiali.
- p) Non usare accessori che richiedono refrigeranti liquidi.** L'uso di refrigeranti liquidi, quali acqua o altri liquidi, può esporre al rischio di folgorazione elettrica.
- q) La mano dell'utente deve essere sull'impugnatura mentre si lavora.** Usare sempre le impugnature ausiliarie in dotazione con l'apparecchio. Una perdita del controllo potrebbe causare lesioni alla persona.

## ALTRE ISTRUZIONI SULLA SICUREZZA PER OGNI TIPO DI FUNZIONAMENTO

### **Il rischio di rimbalzo indietro e avvisi relativi**

Il rimbalzo indietro è una reazione improvvisa causata dall'inceppamento di un disco, di un supporto per tampone, di un a spazzola o di un qualsiasi altro accessorio. L'inceppamento mette il disco in una condizione di stallo temporaneo e in al conseguente movimento incontrollato in direzione opposta dell'accessorio in rotazione, nel punto in cui si è verificato l'inceppamento.

Ad esempio, se un disco abrasivo si inceppa nel pezzo in lavorazione, il bordo esterno del disco che sta penetrando nel punto in cui si verifica l'inceppamento può affondare di più nella superficie del materiale, e di conseguenza il disco potrebbe saltare indietro. Il disco può saltare verso l'operatore o allontanarsi da esso, in relazione alla direzione di rotazione del disco nel punto in cui si verifica l'inceppamento. Inoltre i dischi abrasivi possono rompersi in queste condizioni. Il rimbalzo indietro è il risultato di un uso e/o procedure errate, o di condizioni che possono essere evitate se si adottano le misure di sicurezza fornite di seguito.

- a) Mantenere una presa salda sull'utensile e posizionare corpo e braccio in modo da opporre resistenza ad un eventuale rimbalzo. Utilizzare sempre le impugnature ausiliarie, se fornite, per esercitare il controllo massimo in caso di rimbalzo indietro o di reazioni all'avvio.** L'operatore è in grado di controllare eventuali rimbalzi indietro, se si sono prese le misure adeguate.
- b) Non posizionare mai la propria mano in prossimità dell'accessorio in rotazione.** Gli accessori possono rimbalzare e colpire la mano.
- c) Non posizionare il proprio corpo in una zona in cui probabilmente potrebbe arrivare**

**l'utensile in caso di rimbalzo indietro.** In caso di rimbalzo, l'utensile viene spinto in direzione opposta a quella del movimento del disco nel punto in cui si verifica l'inceppamento.

- d) Prestare attenzione particolare quando si opera su angoli, bordi acuminati, ecc., evitare di avvicinare l'accessorio facendolo rimbalzare.** Angoli, bordi acuminati hanno la tendenza a far rimbalzare l'accessorio con conseguente perdita del controllo o rimbalzo indietro.
- e) Non fissare una lama di sega a nastro o una lama di sega dentata.** Questo tipo di lama crea frequenti rimbalzi all'indietro con conseguente perdita del controllo.

## ALTRE ISTRUZIONI SULLA SICUREZZA PER MOLATURA E TAGLIO

**Avvisi di sicurezza specifici per le operazioni di smerigliatura e taglio con abrasione:**

- a) Usare solo i dischi del tipo di quelli consigliati per questo utensile e la protezione specifica per il disco selezionato.** Non è possibile proteggere in modo adeguati dischi non realizzati per questo utensile, che pertanto risultano essere poco sicuri.
- b) Dischi abrasivi piegati a gomito devono essere montati in modo tale che la loro superficie abrasiva non sporga oltre il piano del bordo della cuffia di protezione.** Un disco abrasivo montato in modo non corretto che sporge dal piano del bordo della cuffia di protezione non può essere schermato sufficientemente.
- c) La protezione deve essere fissata bene all'utensile e posizionata in modo tale da garantire la massima sicurezza, in modo da esporre verso l'operatore una porzione ridotta del disco.** La cuffia di protezione protegge l'operatore da frammenti, da contatto accidentale con l'utensile abrasivo nonché da scintille che possono far prendere fuoco ai vestiti.
- d) I dischi devono essere utilizzati solo per le applicazioni specifiche per le quali sono stati realizzati. Ad esempio: non smerigliare con il fianco di dischi di taglio.** I dischi abrasivi da taglio sono realizzati per smerigliare sul diametro, e le forze applicati sui lati possono farli saltare sulla superficie di lavoro.
- e) Utilizzare sempre flangie delle dimensioni e forma corretti per il disco selezionato. Le flangie idonee supportano il disco, riducendo così la possibilità di rottura del disco.** La flangie per i dischi da taglio possono essere diverse dalle flangie per i dischi destinati alla smerigliatura.
- f) Non utilizzare dischi consumati, provenienti**



**da utensili di dimensioni maggiori.** I dischi realizzati per utensili di dimensioni maggiori non sono idonei per le velocità più elevate di utensili più piccoli e potrebbero rompersi.

è consentita solo nello stato spento.

## ALTRE ISTRUZIONI SULLA SICUREZZA PER TAGLIO

**Altri avvisi di sicurezza specifici per le operazioni di taglio per abrasione:**


- a) Evitare che il disco di taglio si inceppi e non applicare una pressione eccessiva. Evitare di fare tagli troppo profondi.** Se si sottopone a stress eccessivo il disco, si aumentano le possibilità che il disco si pieghi con conseguente rischio di rimbalzo indietro o di rottura del disco.
- b) Non posizionare il proprio corpo in linea e dietro il disco.** Quando il disco, nel punto di lavoro viene allontanato dal proprio corpo, il possibile rimbalzo può far sbatter il disco in rotazione e l'utensile direttamente sul corpo dell'operatore.
- c) Se il disco si sta piegando o quando si interrompe il taglio per una qualsiasi ragione, spegnere e l'utensile e tenerlo fino all'arresto complete del disco. Non tentare mai di togliere il disco di taglio dal taglio mentre il disco è ancora in movimento, in caso contrario si rischia il rimbalzo all'indietro.** Eliminare le cause probabili che hanno portato alla piegatura del disco.
- d) Non riavviare l'operazione di taglio del pezzo. Attendere che il disco sia arrivato alla velocità massima e rientrare nel taglio con attenzione.** Se l'utensile viene riavviato all'interno del taglio, il disco potrebbe piegarsi, saltare in avanti o rimbalzare indietro.
- e) Sostenere pannelli e qualsiasi oggetto di lavorazione di grandi dimensioni per evitare che il disco si blocchi e causi un rimbalzo indietro.** Gli oggetti di grandi dimensioni tendono a piegarsi sotto il proprio peso. Collocare dei sostegni sotto l'oggetto in prossimità della linea di taglio, su entrambi i lati del disco.
- f) Prestare particolare attenzione nella esecuzione di tagli cechi in pareti o altre parti non a vista.** Il disco potrebbe tagliare tubazioni dell'acqua o del gas, cavi elettrici o altri oggetti che potrebbero provocare il rimbalzo indietro dell'apparecchiatura.

## SIMBOLI

	Per ridurre il rischio di lesioni, l'utente deve leggere il manuale di istruzioni
	Classe protezione
	Attenzione
	Indossare protezione per le orecchie
	Indossare protezione per gli occhi
	Indossare una mascherina antipolvere
	Indossare guanti di protezione.
	Assicurarsi che l'utensile sia scollegato prima di cambiare accessori.
	Blocco
	Sblocca
	I prodotti elettrici non possono essere gettati tra i rifiuti domestici. L'apparecchio da rottamare deve essere portato al centro di riciclaggio per un corretto trattamento. Controllare con le autorità locali o con il rivenditore per localizzare il centro di riciclaggio più vicino.

33

## NORME DI SICUREZZA AGGIUNTIVE PER LA SMERIGLIATRICE AD ANGOLO

 **AVVERTENZA:** Assicurarsi che la maniglia sia bloccata prima di avviare la smerigliatrice angolare. La rotazione della maniglia

## 2. ELENCO DEI COMPONENTI


- MANIGLIA AUSILIARIA**
- MANIGLIA POSTERIORE**

<b>3. INTERRUPTORE ACCESO/SPENTO</b>
<b>4. PULSANTE DI BLOCCO</b>
<b>5. COPERTURA DELLA SPAZZOLA</b>
<b>6. PROTEZIONE DELLA RUOTA PER LA MACINAZIONE</b>
<b>7. DISCO*</b>
<b>8. PULSANTE DI BLOCCO MANDRINO</b>
<b>9. CHIAVE INGLESE</b>
<b>10. FLANGIA INTERNA</b>
<b>11. FLANGIA ESTERNA</b>
<b>12. PROTEZIONE DELLA RUOTA PER IL TAGLIO</b>
<b>13. LEVA DI BLOCCAGGIO DELLA PROTEZIONE</b>

\* Accessori illustrati o descritti non fanno necessariamente parte del volume di consegna.

### 3. DATI TECNICI

Codice **WX709 WX709.X (700-749 -designazione del macchinario rappresentativo del Smerigliatrice angolare)**

	<b>WX709 WX709.X**</b>
Voltaggio	230-240 V~50 Hz
Alimentazione di input	2350 W
Velocità a vuoto	6500 /min
Dimensione del disco	230 mm
Foro del disco	22.2 mm
Filettatura mandrino	M14
Diametro delle mole	230 mm
Spessore della mola (max.)	6 mm
Classe di protezione	 /II
Peso della macchina	5.7 kg

\*\* X = 1-999, A-Z, M1-M9 solo per clienti diversi, non ci sono cambiamenti rilevanti sicuri tra questi modelli. Si raccomanda di acquistare tutti gli accessori nello stesso negozio in cui è stato acquistato l'attrezzo. Fare riferimento alla confezione dell'accessorio per altri dettagli. Il personale del negozio può aiutarvi e consigliarvi.

### INFORMAZIONI SUL RUMORE

Pressione sonora ponderata  $L_{PA}$ : 96 dB(A)

A:

Potenza sonora ponderata A:  $L_{WA}$ : 107 dB(A)

$K_{PA}$  &  $K_{WA}$ : 3.0dB(A)

Indossare protezione per le orecchie 

### INFORMAZIONI SULLA VIBRAZIONE

I valori totali di vibrazione sono determinati secondo lo standard EN60745:

Macinazione superficiale	Valore emissione vibrazioni : $a_{h,AG} = 8.4 \text{ m/s}^2$
	Incertezza $K = 1.5 \text{ m/s}^2$

- Il valore di vibrazione totale dichiarato è stato misurato secondo i metodi di prova standard e può essere utilizzato per confrontare un utensile o con un altro utensile;

- Il valore di vibrazione totale dichiarato può essere utilizzato anche per la valutazione preliminare dell'esposizione.

**ATTENZIONE:** A seconda dei seguenti esempi e altre modifiche al modo in cui viene utilizzato, a seconda di come viene utilizzato l'utensile, il valore di emissione delle vibrazioni durante l'uso effettivo dell'elettro utensile può differire dal valore dichiarato:  
Utilizzo dell'utensile e taglio del materiale. L'utensile è in buone condizioni e ben mantenuto. Utilizzare l'accessorio corretto per l'utensile e assicurarsi che sia affilato e in buone condizioni. L'impugnatura sull'impugnatura e l'utilizzo di accessori antivibranti. E l'utensile viene utilizzato secondo il suo design e l'uso previsto di queste istruzioni.

Se viene usato in modo improprio, questo utensile può causare la sindrome delle vibrazioni del braccio.

**ATTENZIONE:** Per motivi di accuratezza, la stima del livello di esposizione in condizioni d'uso reali dovrebbe anche considerare tutte le parti del ciclo operativo, come il momento in cui l'utensile è spento, il momento in cui l'utensile è inattivo ma il lavoro non è effettivamente completato. Ciò può ridurre notevolmente il livello di esposizione durante l'intero periodo di

lavoro.

Aiuta a ridurre al minimo il rischio di vibrazioni. Seguire queste istruzioni per mantenere l'utensile e mantenere una buona lubrificazione (se del caso). Se si desidera utilizzare l'utensile regolarmente, è necessario acquistare accessori antivibranti. Pianificare il tuo orario di lavoro per diffondere l'uso di utensile ad alta vibrazione in pochi giorni.

## 4. USO CONFORME ALLE NORME

La macchina è idonea per troncare, sgrossare e spazolare a secco materiali metallici e materiali pietrosi. Per la troncatura di metallo deve essere impiegata una cuffia di protezione speciale per la troncatura (accessorio).

## 5. ISTRUZIONI SUL FUNZIONAMENTO



**NOTA:** Leggere scrupolosamente il manuale delle istruzioni prima di usare l'attrezzo.

### MONTAGGIO E FUNZIONAMENTO

Azione	Figura
<b>MONTAGGIO</b>	
Peso della macchina	Vedere A
Assemblaggio della mola/disco di taglio	Vedere B1, B2, B3

Regolazione della protezione

**NOTA: In caso di lavori con disco da sgrosso oppure con mole abrasive da taglio diritto è indispensabile che sia montata la calotta di protezione. Usare sempre dischi di tipo adeguato al lavoro. Se l'unità viene utilizzata per eseguire operazioni di taglio, deve essere provvista della specifica protezione idonea per questo tipo di operazione.**

In caso di lavori con disco da sgrosso oppure con mole abrasive da taglio diritto è indispensabile che sia montata la calotta di protezione.

Il nasello codificatore alla calotta di protezione garantisce che possa essere montata soltanto una calotta di protezione che sia adatta al tipo di macchina.

Aprire la levetta di fissaggio. Applicare la calotta di protezione al collare alberino della testa dell'elettrotensile con il nasello codificatore nella scanalatura di codificazione e ruotarla nella posizione necessaria (posizione di lavoro).

Per bloccare la calotta di protezione chiudere la levetta di fissaggio.

Il lato chiuso della calotta di protezione deve essere rivolto sempre verso l'operatore.

**NOTA:** Con la leva di serraggio aperta, la vite di regolazione del serraggio può essere regolata per garantire che la protezione sia bloccata saldamente dopo che la leva di serraggio è stata finalmente chiusa.

### FUNZIONAMENTO

Interruttore acceso/ spento di sicurezza Vedere D

Aree di presa della mano Vedere E

Sgrossatura



**ATTENZIONE!** Non usare mai un disco di taglio per la sgrossatura.

Troncare Vedere F

Per usare la maniglia ruotare Vedere G

Per sostituire le spazzole Vedere H

Vedere C

35

## SUGGERIMENTI DI LAVORO PER LA TUA SMERIGLIATRICE

1. La smerigliatrice angolare può essere utilizzata non solo per il taglio di metalli (es. Rimozione di

teste di viti), ma anche per la pulizia / preparazione di superfici (ovvero prima e dopo le operazioni di saldatura).

2. Diversi tipi di mole / frese consentiranno alla smerigliatrice di soddisfare le varie esigenze. In genere, le mole / frese possono essere utilizzate per acciaio dolce, acciaio inossidabile, pietra e mattoni. I dischi impregnati di diamante sono adatti per materiali molto duri.
3. Se si utilizza una smerigliatrice su alluminio e altri metalli teneri, la mola si intasa rapidamente e deve essere sostituita.
4. Lasciare sempre funzionare la smerigliatrice, non applicare forza o esercitare una pressione eccessiva sulla mola / disco.
5. Se si taglia una fessura per assicurarsi che la fresa sia allineata con la fessura, la rotazione della fresa potrebbe causare la rottura del disco. Se il materiale è consentito solo tagliando il foglio, un'eccessiva penetrazione aumenterà la possibilità di danni.
6. Se si taglia pietra o mattone, si consiglia di utilizzare un depolveratore.

## 6. MANUTENZIONE

**Rimuovere la spina dalla presa di corrente prima di eseguire qualsiasi regolazione, riparazione o manutenzione.**

All'interno dell'attrezzo non ci sono parti riparabili da parte dell'utente. Non usare mai acqua o detergenti chimici per pulire l'attrezzo. Pulire con un panno asciutto. Conservare sempre gli attrezzi elettrici in luoghi asciutti. Tenere pulite le aperture di ventilazione del motore. Tenere puliti dalla polvere tutti i controlli operativi. La formazione di scintille all'interno delle aperture di ventilazione, è un fenomeno normale che non crea danni all'attrezzo.

Se il cavo d'alimentazione è danneggiato, deve essere sostituito dal produttore, il suo distributore o persona egualmente qualificata per evitare pericoli.

## 7. RISOLUZIONE GUASTI

Anche se la nuova smerigliatrice angolare è molto semplice da utilizzare, in caso di problemi controllare quanto segue:

1. Se la smerigliatrice non funziona controllare l'alimentazione sulla presa di corrente.
2. Se il disco della smerigliatrice traballa o vibra, controllare che la flangia esterna sia stretta, e che il disco sia posizionato correttamente sulla parte piatta della flangia.
3. Non usare il disco se mostra segni evidenti di danni, perché potrebbe rompersi. Rimuoverlo e sostituirlo con un disco nuovo. Smaltire i vecchi dischi secondo quanto stabilito dalle norme in materia.
4. La lavorazione dell'alluminio o di leghe morbide

simili, ostruisce rapidamente il disco, che non molerà efficacemente.

## 8. TUTELA AMBIENTALE



I prodotti elettrici non possono essere gettati tra i rifiuti domestici. L'apparecchio da rottamare deve essere portato al centro di riciclaggio per un corretto trattamento. Controllare con le autorità locali o con il rivenditore per localizzare il centro di riciclaggio più vicino.

## 9. DICHIARAZIONE DI CONFORMITÀ

Noi  
Positec Germany GmbH  
Postfach 32 02 16, 50796 Cologne, Germany

Dichiariamo che l'apparecchio,  
Descrizione **Worx Smerigliatrice angolare**  
Codice **WX709 WX709.X (700-749 - designazione del macchinario rappresentativo del Smerigliatrice angolare)**  
Funzioni **Smerigliatura periferica e laterale**

È conforme alle seguenti direttive,  
**2006/42/EC**  
**2011/65/EU&(EU)2015/863**  
**2014/30/EU**

Conforme a,  
**EN 55014-1, EN 55014-2**  
**EN IEC 61000-3-2, EN 61000-3-3**  
**EN 60745-1, EN 60745-2-3**

Il responsabile autorizzato alla compilazione della documentazione tecnica,

**Nome Marcel Filz**  
**Indirizzo Positec Germany GmbH**  
**Postfach 32 02 16, 50796 Cologne, Germany**



2021/10/15  
Allen Ding  
Vice capo ingegnere, testing e certificazione  
Positec Technology (China) Co., Ltd  
18, Dongwang Road, Suzhou Industrial  
Park, Jiangsu 215123, P. R. China

# ÍNDICE

1. INSTRUCCIONES DE SEGURIDAD
2. LISTA DE COMPONENTS
3. CARACTERÍSTICAS TÉCNICAS
4. USO INDICADO
5. INSTRUCCIONES DE FUNCIONAMIENTO
6. MANTENIMIENTO
7. SOLUCIÓN DE PROBLEMAS
8. PROTECCION AMBIENTAL
9. DECLARACIÓN DE CONFORMIDAD

## 1. INSTRUCCIONES DE SEGURIDAD

### ADVERTENCIA DE SEGURIDAD GENERALES SOBRE HERRAMIENTAS ELÉCTRICAS



**¡ Advertencia! Leer todas las instrucciones.**

Si no se respetan las instrucciones, existe un riesgo de descargas eléctricas, de incendio y/o de graves heridas.

#### Conservar todas las advertencias e instrucciones para futuras consultas.

El término "herramienta eléctrica" en todas las advertencias siguientes corresponde a la herramienta eléctrica con o sin cable.

#### 1. ZONA DE TRABAJO

- Mantener su lugar de trabajo limpio y bien iluminado.** Bancos de trabajo desordenados y lugares oscuros invitan a los accidentes.
- No utilizar herramientas eléctricas en atmósferas explosivas, como por ejemplo en presencia de líquidos inflamables, gases o polvo.** Las herramientas eléctricas crean chispas que pueden encender el polvo o los vapores.
- Mantener alejados a los niños y visitantes mientras opera una herramienta eléctrica.** Las distracciones pueden hacerle perder el control.

#### 2. SEGURIDAD ELÉCTRICA

- Los enchufes de la herramienta eléctrica deben encajar perfectamente en el tomacorriente. Nunca modificar el enchufe de ninguna manera. No utilizar adaptadores con herramientas eléctricas conectadas a tierra.** Los enchufes no modificados y los que encajan perfectamente en el tomacorriente reducirán el

riesgo de descarga eléctrica.

- Evitar el contacto del cuerpo con superficies conectadas a tierra tales como caños, radiadores, cocinas y heladeras.** Existe un riesgo creciente de descarga eléctrica si su cuerpo queda conectado a tierra.
- No exponer las herramientas eléctricas a la lluvia y no guardar en lugares húmedos.** El agua que penetra en ellas aumentará el riesgo de una descarga eléctrica.
- No abusar del cable. Nunca utilizar el cable para transportar, tirar o desenchufar la herramienta eléctrica. Mantener el cable alejado del calor, del aceite, de bordes agudos o piezas móviles.** Los cables dañados o enredados aumentan el riesgo de descarga eléctrica.
- Cuando utilice su herramienta eléctrica al aire libre, emplear un prolongador apto para uso en exteriores.** El empleo de cables para uso al aire libre reduce el riesgo de descarga eléctrica.
- Si es necesario utilizar la herramienta motorizada en un lugar muy húmedo, utilice una fuente de alimentación con dispositivo de corriente residual (RCD).** El uso de un RCD reduce el riesgo de descarga eléctrica.

#### 3. SEGURIDAD PERSONAL

- Mantenerse alerta, poner atención en lo que está haciendo y utilice el sentido común mientras opera una herramienta eléctrica. No emplear la herramienta cuando se encuentre cansado o bajo la influencia de drogas, alcohol o medicación.** Un momento de falta de atención durante el manejo de herramientas eléctricas puede dar lugar a daños corporales serios.
- Utilizar equipo de seguridad. Usar siempre protección ocular.** Equipo de seguridad como máscaras contra el polvo, zapatos antideslizantes de seguridad, sombrero o protección auditiva para condiciones apropiadas reducirá daños corporales.
- Evite el arranque accidental. Asegúrese de que el interruptor se encuentra desactivado antes de enchufar la máquina o colocar la batería, al tomar la herramienta o transportarla.** Transportar herramientas con el dedo en el interruptor o enchufar la herramienta cuando el interruptor está encendido invitan a los accidentes.
- Retire llaves de ajuste o llaves inglesas antes de poner la herramienta en funcionamiento.** Una llave que queda unida a una pieza móvil de la herramienta puede originar daños corporales.
- No extralimitarse. Mantenerse firme y con buen equilibrio en todo momento.** Esto permite un mejor control de la herramienta en situaciones inesperadas.
- Vestirse apropiadamente. No usar ropa suelta ni alhajas. Mantener su cabello, ropa y**

**guantes alejados de las piezas móviles.** La ropa suelta, las alhajas o el cabello largo pueden ser atrapados por las piezas móviles.

- g) Si se proporcionan dispositivos para la extracción y recolección de polvo, asegurarse de que estos estén conectados y utilizados correctamente.** El uso de estos dispositivos puede reducir peligros relacionados con el polvo.

#### **4. MANTENIMIENTO DE LA HERRAMIENTA MOTORIZADA**

- a) No forzar la herramienta eléctrica. Utilizar la herramienta eléctrica correcta para su aplicación.** La herramienta eléctrica correcta hará el trabajo mejor y más seguro a la velocidad para la cual fue diseñada.
- b) No utilizar la herramienta eléctrica si el interruptor no la enciende o apaga.** Cualquier herramienta eléctrica que no pueda ser controlada con el interruptor es peligrosa y debe ser reparada.
- c) Desconecte el enchufe de la toma eléctrica y/o la batería de la herramienta antes de realizar cualquier ajuste, cambiar un accesorio o guardar la herramienta.** Tales medidas de seguridad preventivas reducen el riesgo de arranque accidental de la herramienta.
- d) Mantener las herramientas eléctricas que no usa fuera del alcance de los niños y no permita que personas no familiarizadas con la herramienta o con estas instrucciones maneje la herramienta eléctrica.** Las herramientas eléctricas son peligrosas en manos de usuarios inexpertos.
- e) Revisar las herramientas eléctricas. Comprobar si hay desalineamiento o atascamiento de piezas móviles, rotura de piezas en general y cualquier otra condición que pueda afectar la operación normal de la herramienta. Si se verifican daños, recurra a un service calificado antes de volver a usar la herramienta.** Las herramientas mal mantenidas causan muchos accidentes.
- f) Mantener las piezas de corte limpias y afiladas.** Puesto que son menos probables de atascarse y más fáciles de controlar.
- g) Utilizar la herramienta eléctrica, accesorios y brocas etc., de acuerdo con estas instrucciones y de la manera prevista para el tipo particular de herramienta eléctrica, teniendo en cuenta las condiciones de trabajo y el trabajo a ser realizado.** El uso de la herramienta eléctrica para otras operaciones distintas de lo previsto podría dar lugar a una situación peligrosa.

#### **5. REPARACIÓN**

- a) Permitir que el mantenimiento de su herramienta eléctrica sea efectuado por una persona calificada usando solamente piezas**

**de recambio idénticas.** Esto es primordial para mantener la seguridad de la herramienta eléctrica.

## **INSTRUCCIONES DE SEGURIDAD PARA TODAS LAS OPERACIONES**

### **ADVERTENCIAS DE SEGURIDAD COMUNES PARA OPERACIONES DE AMOLADURA O CORTE ABRASIVO:**

- a) Esta herramienta eléctrica ha sido diseñada para funcionar como amoladora, o herramienta de corte. Familiarícese con todas las advertencias e instrucciones de seguridad, ilustraciones y especificaciones proporcionadas con esta herramienta.** Si no sigue las instrucciones que se presentan a continuación podrían producirse descargas eléctricas, incendios y/o serias lesiones.
- b) No se recomienda realizar operaciones de lijado, cepillado metálico, pulido con esta herramienta.** Las operaciones para las que la herramienta no ha sido diseñada podrían suponer un riesgo y causar lesiones personales.
- c) No utilice accesorios que no hayan sido diseñados y recomendados específicamente por el fabricante de la herramienta.** El hecho de que pueda colocar un accesorio en su herramienta no implica que su uso sea seguro.
- d) La velocidad nominal del accesorio debe ser al menos igual a la velocidad máxima marcada en la herramienta.** Los accesorios que funcionen por encima de su velocidad nominal podrían salir disparados.
- e) El diámetro exterior y el grosor del accesorio debe encontrarse dentro de la capacidad de su herramienta.** Los accesorios del tamaño incorrecto no podrán protegerse y controlarse correctamente.
- f) Los útiles de fijación a rosca deberán ajustar exactamente en la rosca del husillo. En los útiles de fijación por brida su diámetro de encaje deberá ser compatible con el de alojamiento en la brida.** Los útiles que no vayan fijados exactamente sobre la herramienta eléctrica giran descentrados, vibran mucho, y pueden hacerle perder el control sobre el aparato.
- g) No utilice un accesorio dañado. Antes de cada uso, inspeccione el accesorio en busca de defectos: las ruedas abrasivas con grietas o residuos, los paneles de apoyo con grietas, deterioros o desgaste excesivo. Si se deja caer la herramienta, inspeccione los daños o instale un accesorio nuevo.** Después de inspeccionar e instalar un accesorio, colóquese usted mismo y a todos los observadores lejos del plano de rotación del accesorio y ponga la

herramienta en funcionamiento a la máxima velocidad sin carga durante un minuto. Los accesorios dañados suelen romperse durante esta prueba.

**h) Utilice equipamiento de protección personal. Dependiendo de la aplicación, utilice escudos faciales, gafas de seguridad o protección ocular. Si es necesario, utilice una máscara antipolvo, protectores auditivos, guantes y delantal que permitan detener los pequeños fragmentos abrasivos.** La protección ocular debe detener los residuos voladores generados por las distintas operaciones. La máscara antipolvo o el respirador deben ser capaces de filtrar partículas generadas por el uso. La exposición prolongada a ruidos de alta intensidad podría provocar problemas auditivos.

**i) Mantenga a los observadores a una distancia segura, alejados del área de trabajo.** Cualquier persona que penetre en el área de trabajo debe utilizar equipamiento de protección personal. Los fragmentos de una pieza de trabajo o un accesorio roto podrían volar y causar lesiones lejos del área inmediata de uso.

**j) Sostenga la herramienta únicamente por medio de superficies aislantes, al realizar una operación en la que el accesorio de corte pueda entrar en contacto con cableado oculto o con su propio cable.** El contacto con conductores bajo tensión puede hacer que las partes metálicas del aparato le provoquen una descarga eléctrica.

**k) Coloque el cable lejos de los accesorios giratorios.** Si pierde el control, el cable podría cortarse o quedar atascado, arrastrando su mano o brazo hacia el accesorio giratorio.

**l) No deposite la herramienta hasta que el accesorio se haya detenido por completo.** El accesorio giratorio podría arrastrar la superficie y tirar de la herramienta fuera de su control.

**m) No utilice la herramienta mientras la transporta a un lado.** El contacto accidental con el accesorio giratorio podría arrastrar su ropa, atrayendo el accesorio hacia su cuerpo.

**n) Limpie regularmente las ventilaciones de la herramienta.** El ventilador del motor arrastra el polvo hacia el interior de la carcasa, y la acumulación excesiva de polvo metálico podría generar riesgos eléctricos.

**o) No utilice la herramienta cerca de materiales inflamables.** Las chispas podrían prender los materiales.

**p) No utilice accesorios que requieran refrigerantes líquidos.** El uso de agua u otros refrigerantes líquidos podría provocar una electrocución o descarga.

**q) Sostenga el asa con la mano mientras trabaja.** Utilice siempre las asas auxiliares suministradas con la herramienta. La pérdida de control podría

provocar lesiones personales.

## OTRAS INSTRUCCIONES DE SEGURIDAD PARA TODAS LAS OPERACIONES

### Advertencias sobre retroceso y relacionadas

El retroceso es una reacción súbita provocada por una pieza giratoria, panel de lijado, cepillo u otro accesorio atascado. El atasco causa una rápida detención de accesorio giratorio, que a su vez provoca una fuerza sin control en la herramienta, opuesta a la dirección de giro del accesorio en el punto del atasco.

Por ejemplo, si una rueda de lijado queda atascada en la pieza de trabajo, el borde de la rueda que entra en la superficie del material podría producir un retroceso. La rueda podría saltar hacia el usuario o en dirección contraria, dependiendo de la dirección de movimiento de la rueda en el punto del atasco. Las ruedas de lijado podrían además romperse en estas condiciones.

El retroceso es el resultado del mal uso de la herramienta y/o un procedimiento de uso o condición que pudiera evitarse tomando las precauciones siguientes.

**a) Mantenga agarrada la herramienta con firmeza y coloque su cuerpo y sus brazos de forma que pueda resistir las fuerzas de retroceso. Utilice siempre el asa auxiliar, si existe, para mantener el máximo control del retroceso o la reacción de torsión durante el arranque.** El usuario puede controlar la reacción de torsión o las fuerzas de retroceso si se toman las precauciones adecuadas.

**b) Nunca coloque las manos cerca del accesorio giratorio.** El accesorio podría retroceder sobre su mano.

**c) No coloque su cuerpo en el área en el que pueda producirse un retroceso de la herramienta,** la fuerza de retroceso empujará la herramienta en dirección opuesta al movimiento de la rueda en el punto del atasco.

**d) Tenga especial cuidado al trabajar en esquinas, bordes afilados, etc. Evite hacer rebotar el accesorio.** Las esquinas, bordes afilados o botes tienen tendencia a atascar el accesorio giratorio y causan la pérdida de control o el retroceso.

**e) No instale una hoja de labrado de madera de cadena de sierra u hoja de sierra dentada.** Con frecuencia, dichas hojas crean fuerzas de retroceso y situaciones de pérdida de control.

## INSTRUCCIONES DE SEGURIDAD ADICIONALES PARA OPERACIONES DE

## AMOLADURA Y CORTE

### Advertencias de seguridad específicas de las operaciones de amoladura y corte abrasivo

- a) **Utilice únicamente los tipos de rueda recomendados para su herramienta y la protección específica designada para la rueda seleccionada.** Las ruedas para las que la herramienta no haya sido diseñada no quedarán correctamente protegidas y serán inseguras.
- b) **Los discos de amolar con centro deprimido deberán montarse de manera que la cara de amolado no alcance a sobresalir del reborde de la caperuza de protección.** Un disco de amolar incorrectamente montado cuya cara frontal rebase el reborde de la caperuza de protección no puede ser convenientemente protegido.
- c) **La protección debe encontrarse firmemente colocada sobre la herramienta y posicionada para su máxima seguridad, de forma que se exponga la menor cantidad de la rueda hacia el operador.** La misión de la caperuza protectora es proteger al usuario de los fragmentos que puedan desprenderse del útil, del contacto accidental con este, y de las chispas que pudieran incendiar su ropa.
- d) **Las ruedas deben utilizarse únicamente para las aplicaciones recomendadas. Por ejemplo: no realice amoladuras con el borde de una rueda de corte. Las ruedas de corte abrasivo se fabrican para la amoladura periférica.** La aplicación de fuerza lateral sobre este tipo de ruedas puede causar su vibración.
- e) **Utilice siempre bridas de rueda sin daños, del tamaño y forma correctos para la rueda seleccionada.** Las bridas de rueda adecuadas soportan la rueda y reducen la posibilidad de rotura de la rueda. Las bridas para ruedas de corte podrían ser diferentes de las bridas de rueda de amoladura.
- f) **No utilice ruedas desgastadas de herramientas más grandes.** Las ruedas diseñadas para herramientas más grandes no son adecuadas para herramientas de mayor velocidad o más pequeñas y podrían explotar.

## INSTRUCCIONES DE SEGURIDAD ADICIONALES PARA OPERACIONES DE CORTE

### Advertencias de seguridad específicas adicionales para operaciones de corte abrasivo:

- a) **No "atasque" la rueda de corte ni aplique presión excesiva sobre ella. No intente hacer un corte demasiado profundo.** Si fuerza la

rueda aumentará la carga y la susceptibilidad de torcedura de la rueda en el corte, aumentando la posibilidad de retroceso o rotura de la rueda.

- b) **No coloque su cuerpo alineado y detrás del plano de giro de la rueda.** Si la rueda y el punto de operación se mueven en sentido contrario a su cuerpo, la posible fuerza de retroceso podría lanzar la rueda y la herramienta directamente hacia usted.
- c) **Si la rueda está sujeta o al interrumpir un corte por cualquier razón, desactive la herramienta y sostenga la herramienta sin movimiento hasta que se detenga por completo.** No intente retirar la rueda de corte mientras se encuentre en movimiento para evitar las fuerzas de retroceso. Investigue y tome las acciones correctoras necesarias para eliminar la causa del atasco en la rueda.
- d) **No vuelva a iniciar la operación de corte con la pieza de trabajo. Deje que la rueda alcance toda la velocidad antes de comenzar el corte.** La rueda podría atascarse o provocar una fuerza de retroceso si vuelve a colocarse sobre la pieza de trabajo.
- e) **Coloque paneles de apoyo o piezas de trabajo más grandes para minimizar el riesgo de atascar la rueda.** Las piezas de trabajo grandes tienden a doblarse por su propio peso. El soporte debe colocarse bajo la pieza de trabajo, cerca de la línea de corte y del borde de la pieza de trabajo, en ambos lados de la rueda.
- f) **Tenga especial cuidado al realizar un corte en una pared u otra zona de la que no conozca el interior.** La rueda sobresaliente podría cortar tuberías de gas o agua, cableado eléctrico u objetos que podrían causar retrocesos.

## REGLAS DE SEGURIDAD ADICIONALES PARA LA AMOLADORA ANGULAR



**ADVERTENCIA:** Asegúrese de que la manija esté en la posición bloqueada antes de comenzar la amoladora angular. Solo se permite girar la manija en la condición de apagado.

## SÍMBOLOS








Para reducir el riesgo de lesión, lea el manual de instrucciones



Clase de protección



	Advertencia
	Utilice protección auditiva
	Utilizar protección ocular
	Utilizar una máscara antipolvo
	Utilice guantes de protección.
	Asegúrese de que la herramienta está desenchufada a antes de cambiar los accesorios.
	Bloquear
	Desbloquear
	Los residuos de aparatos eléctricos y electrónicos no deben depositarse en la basura doméstica. Se deben reciclar en las instalaciones especializadas. Consulte a las autoridades locales o el establecimiento para saber cómo reciclar estos productos.

## 2. LISTA DE COMPONENTES


<b>1.</b>	<b>MANGO AUXILIAR</b>
<b>2.</b>	<b>MANGO TRASERO</b>
<b>3.</b>	<b>INTERRUPTOR ENCENDIDO / APAGADO</b>
<b>4.</b>	<b>BOTÓN DE BLOQUEO</b>
<b>5.</b>	<b>CUBIERTA DEL CEPILLO</b>
<b>6.</b>	<b>PROTECCIÓN DE LA RUEDA DE MOLER</b>
<b>7.</b>	<b>DISCO *</b>
<b>8.</b>	<b>BOTÓN DE BLOQUEO DEL HUSILLO</b>
<b>9.</b>	<b>LLAVE</b>

<b>10.</b>	<b>BRIDA INTERIOR</b>
<b>11.</b>	<b>BRIDA EXTERIOR</b>
<b>12.</b>	<b>PROTECCIÓN DE LA RUEDA DE CORTE</b>
<b>13.</b>	<b>PALANCA DE SUJECIÓN DEL PROTECTOR</b>

\* Los accesorios ilustrados o descritos pueden no corresponder al material suministrado de serie con el aparato.

## 3. CARACTERÍSTICAS TÉCNICAS

Modelo **WX709 WX709.X (700-749 -designación de maquinaria, representantes de Amoladora Angular)**

	<b>WX709 WX709.X **</b>
Voltaje	230-240 V~50 Hz
Potencia de entrada	2350 W
Sin velocidad de carga	6500 /min
Tamaño del disco	230 mm
Agujero del disco	22.2 mm
Rosca del husillo	M14
Diámetro de la rueda de moler	230 mm
Grosor de la muela abrasiva (max.)	6 mm
Clase de protección	 /II
Peso de la máquina	5.7 kg

\*\* X = 1-999, A-Z, M1-M9 solo se utilizan para diferentes clientes, no hay cambios relevantes seguros entre estos modelos

Recomendamos que adquiera todos sus accesorios en el mismo establecimiento donde compró la herramienta. Consulte los estuches de los accesorios para más detalles. El personal del establecimiento también puede ayudar y aconsejar.

## INFORMACIÓN SOBRE EL RUIDO

Nivel de presión acústica ponderada	$L_{pA}$ : 96 dB(A)
Nivel de presión acústica ponderada	$L_{wA}$ : 107 dB(A)

Utilice protección auditiva 

## INFORMACIÓN SOBRE LAS VIBRACIONES

Los valores totales de vibración se determinan según la norma EN60745:

Rectificado superficial	Valor de emisión de la vibración: $a_{h,AG} = 8.4 \text{ m/s}^2$
	Incertidumbre K = $1.5 \text{ m/s}^2$

- El valor de emisión de ruido declarado se ha medido de acuerdo con un método de ensayo estándar y puede utilizarse para comparar una herramienta con otra.

- El valor de emisión de ruido declarado también puede utilizarse en una evaluación preliminar para su exposición.



**ADVERTENCIA:** Las emisiones de ruido durante el uso real de la herramienta eléctrica pueden diferir del valor declarado dependiendo de la forma en que se utiliza la herramienta, especialmente qué tipo de pieza de trabajo se procesa dependiendo de los siguientes ejemplos y otras variaciones sobre cómo se utiliza la herramienta:

Cómo usar herramientas y materiales para cortar o perforar.

La herramienta está en buenas condiciones y bien mantenida.

Use los accesorios adecuados para la herramienta y asegúrese de que esté afilada y en buenas condiciones.

La estanqueidad del agarre en los mangos y si se utilizan accesorios antivibración y ruido.

Y la herramienta se está utilizando según su diseño y estas instrucciones.

**Esta herramienta puede causar el síndrome de vibración del brazo si no se usa adecuadamente.**



**ADVERTENCIA:** Para ser precisos, las estimaciones de los niveles de exposición en condiciones reales de uso también deben considerar todas las partes del ciclo operativo, como cuando la herramienta se apaga y cuando el trabajo está inactivo pero no se ha completado. Esto puede reducir significativamente los niveles de exposición durante todo el periodo de trabajo. Ayudando a minimizar el riesgo de exposición al ruido. Siga estas instrucciones para mantener esta herramienta y mantenerla bien lubricada (cuando corresponda)

Si la herramienta se va a utilizar con regularidad, entonces invierta en accesorios anti-ruido.

Planifique su horario de trabajo para distraer cualquier herramienta de alta vibración en cuestión de días.

## 4. USO INDICADO

El aparato ha sido proyectado para tronzar, desbastar y cepillar metales y materiales de piedra sin la aportación de agua. Para tronzar metal es necesario emplear una caperuza protectora especial para tronzar (accesorio especial).


## 5. INSTRUCCIONES DE FUNCIONAMIENTO



**NOTA:** Antes de usar la herramienta lea el manual de instrucciones detenidamente.

### MONTAJE Y FUNCIONAMIENTO

Acción	Figura
<b>MONTAJE</b>	
Empuñadura auxiliar ajustable	Ver A
Montaje del disco de corte/de amolar	Ver B1, B2, B3
Ajuste del protector del disco <b>ATENCIÓN: Al trabajar con discos de desbastar o tronzar debe emplearse la caperuza protectora. Use siempre el tipo correcto de disco para su aplicación. Si la unidad va a utilizarse para realizar operaciones de corte, debe instalarse una protección específica para esta operación.</b> Al trabajar con discos de desbastar o tronzar debe emplearse la caperuza protectora. El resalte codificador que lleva la caperuza protectora garantiza que sea montada solamente la caperuza protectora adecuada al tipo de aparato. Aflojar la palanca de fijación. Insertar el resalte codificador de la caperuza protectora en la ranura de codificación del cuello del husillo del cabezal del aparato y girarla a la posición requerida (posición de trabajo). Para sujetar la caperuza protectora apretar la palanca de fijación. <b>El lado cerrado de la caperuza protectora debe mostrar siempre hacia el usuario.</b> <b>NOTA:</b> Con la palanca de sujeción abierta, el tornillo de juste de la abrazadera se puede ajustar para asegurar que el protector esté bien sujeto después de que la palanca de sujeción se haya cerrado finalmente.	Ver C

<b>FUNCIONAMIENTO</b>	
Uso del interruptor de encendido/ apagado	Ver D
Zonas de sujeción	Ver E
Desbaste  <b>¡ADVERTENCIA!</b> No utilice nunca un disco de corte para desbastar.	
Tronzado	Ver F
Para utilizar el mango giratorio	Ver G
Para utilizar la rectificadora	Ver H

## CONSEJOS DE TRABAJO PARA SU PULIDORA

1. Su amoladora angular es útil tanto como para cortar metales, es decir, para quitar cabezas de tornillo, como también para limpiar / preparar superficies, es decir, antes y después de las operaciones de soldadura.
2. Los diferentes tipos de rueda / cortador permitirán que la amoladora satisfaga diversas necesidades. Por lo general, las ruedas / cortadoras están disponibles para acero suave, inoxidable, piedras y ladrillos. Los discos impregnados de diamante están disponibles para materiales muy duros.
3. Si la amoladora se usa en metales blandos como el aluminio, la rueda pronto se obstruirá y deberá cambiarse.
4. En todo momento, deje que el molinillo haga el trabajo, no lo fuerce ni aplique una presión excesiva a la rueda / disco.
5. Si cortar una ranura asegura que el cortador se mantenga alineado con la ranura, torcer el cortador puede hacer que el disco se rompa. Si al cortar una lámina delgada a través del material que se lo permite, una penetración excesiva puede aumentar la posibilidad de causar daños.
6. Si está cortando piedras o ladrillos, es recomendable usar un extractor de polvo.

## 6. SOLUCIÓN DE PROBLEMAS

Aunque su nueva amoladora angular es realmente muy simple de operar, si tiene problemas, verifique lo siguiente:

1. Si su molinillo no funciona, verifique la alimentación en el enchufe principal.
2. Si su disco triturador se tambalea o vibra, verifique

- si la brida exterior está ajustada o si el disco está ubicado correctamente en la placa de la brida.
3. Si hay alguna evidencia de que la rueda está dañada no lo use ya que la rueda dañada puede desintegrarse, retírela y reemplácela con una rueda nueva. Deseche las ruedas viejas con sensatez.
4. Si trabaja con aluminio o una aleación suave similar, el disco pronto se obstruirá y no se pulirá de manera efectiva.
5. Si no se puede corregir una avería, devuelva la herramienta a un distribuidor autorizado para su reparación.

## 7. MANTENIMIENTO

**Retire el enchufe de la toma de corriente antes de efectuar cualquier ajuste, reparación o mantenimiento.**

No posee piezas en su interior que deban ser reparadas por el usuario. Nunca emplee agua o productos químicos para limpiar su herramienta. Use simplemente un paño seco. Guarde siempre su herramienta en un lugar seco. Mantenga limpias las ranuras de ventilación del motor. Mantenga todos los controles de funcionamiento libres de polvo. La observación de chispas que destellan bajo las ranuras de ventilación indica un funcionamiento normal que no dañará su herramienta.

Si el cable de alimentación está dañado deberá ser reemplazado por el fabricante, su agente de servicio o por alguna persona calificada para evitar riesgos.

## 8. PROTECCIÓN AMBIENTAL



Los residuos de aparatos eléctricos y electrónicos no deben depositarse en la basura doméstica. Se deben reciclar en las instalaciones especializadas. Consulte a las autoridades locales o el establecimiento para saber cómo reciclar estos productos.

## 9. DECLARACIÓN DE CONFORMIDAD

Los que reciben,  
Positec Germany GmbH  
Postfach 32 02 16, 50796 Cologne, Germany

Declaran que el producto  
Descripción **Worx Amoladora Angular**  
Modelo **WX709 WX709.X (700-749 -designación denominaciones de maquinaria, representantes de Amoladora Angular)**  
Funciones **Afilado periférico y lateral**

Cumple con las siguientes Directivas,

2006/42/EC  
2011/65/EU&(EU)2015/863  
2014/30/EU

Cumple las normativas  
**EN 55014-1, EN 55014-2**  
**EN IEC 61000-3-2, EN 61000-3-3**  
**EN 60745-1, EN 60745-2-3**

La persona autorizada para componer el archivo técnico,

**Firma Marcel Filz**  
**Dirección Positec Germany GmbH**  
**Postfach 32 02 16, 50796 Cologne, Germany**



2021/10/15  
Allen Ding  
Ingeniero Jefe Adjunto. Pruebas y Certificación.  
Positec Technology (China) Co., Ltd  
18, Dongwang Road, Suzhou Industrial  
Park, Jiangsu 215123, P. R. China

## ÍNDICE

1. INSTRUÇÕES DE SEGURANÇA
2. LISTA DE COMPONENTES
3. DADOS TÉCNICOS
4. UTILIZAÇÃO CONFORME AS DISPOSIÇÕES
5. INSTRUÇÕES DE FUNCIONAMENTO
6. MANUTENÇÃO
7. RESOLUÇÃO DE PROBLEMAS
8. PROTECÇÃO AMBIENTAL
9. DECLARAÇÃO DE CONFORMIDADE

## 1. INSTRUÇÕES DE SEGURANÇA AVISOS GERAIS DE SEGURANÇA DE FERRAMENTAS ELÉCTRICAS



**ATENÇÃO! Leia atentamente as seguintes instruções.** A não observância destas instruções pode causar choque eléctrico, incêndio e/ou lesões graves.

### **Guarde estas instruções para referência futura.**

Os termos “ferramenta eléctrica” utilizados em todos os avisos constantes destas instruções referem-se à sua ferramenta eléctrica accionada por corrente eléctrica (com cabo de alimentação) ou ferramenta eléctrica accionada por bateria (sem cabo de alimentação).

#### **1) LOCAL DE TRABALHO**

- a) Mantenha o local de trabalho limpo e bem arrumado.** Áreas com pouca iluminação e desordenadas podem provocar acidentes.
- b) Não utilize o aparelho em locais onde existam líquidos, gases ou poeiras inflamáveis e onde exista o risco de explosão.** As ferramentas eléctricas produzem faíscas que podem inflamar poeiras ou gases.
- c) Mantenha as pessoas e particularmente as crianças afastadas da ferramenta eléctrica durante o seu funcionamento.** Qualquer distração pode fazê-lo perder o controlo do berbequim.

#### **2) SEGURANÇA ELÉCTRICA**

- a) A ficha do berbequim deve encaixar bem na tomada de alimentação. Nunca modifique fichas, seja de que maneira for.** Não utilize nenhuma ficha de adaptação com ferramentas eléctricas que tenham ligação à terra. Fichas não modificadas e tomadas de corrente adequadas reduzem o risco de choque eléctrico

- b) Evite o contacto do corpo com superfícies ligadas à terra como tubos, aquecedores, fogões e frigoríficos.** Existe um aumento do risco de choque eléctrico se o seu corpo estiver em contacto com a terra ou a massa.
- c) Não exponha este equipamento à chuva ou humidade.** A infiltração de água num aparelho eléctrico aumenta o risco de choque eléctrico.
- d) Não maltrate o cabo de alimentação. Nunca utilize o cabo para transportar, puxar ou desligar o aparelho da tomada de corrente.** Mantenha o cabo afastado de fontes de calor, óleos, arestas afiadas ou peças em movimento. Cabos danificados ou enredados aumentam o risco de choque eléctrico.
- e) Quando trabalhar com uma ferramenta eléctrica ao ar livre, use um cabo de extensão adequado para utilização no exterior.** A utilização de um cabo adequado para uso exterior reduz o risco de choque eléctrico.
- f) Se não puder evitar a utilização de uma ferramenta eléctrica num local húmido, utilize uma fonte de alimentação protegida contra corrente residual.** A utilização de um dispositivo com protecção contra corrente residual reduz o risco de choque eléctrico.
- 3) SEGURANÇA DE PESSOAS**
- a) Esteja atento, observe o que está a fazer e seja prudente sempre que trabalhar com uma ferramenta eléctrica.** Não utilize nunca uma ferramenta eléctrica quando estiver cansado ou sob a influência de drogas, álcool ou medicamentos. Um momento de desatenção quando se utiliza uma ferramenta eléctrica pode causar lesões graves.
- b) Utilize equipamentos de segurança. Use sempre óculos de protecção.** Equipamentos de segurança, tais como máscaras protectoras, sapatos de sola antiderrapante, capacetes ou protecções auriculares devidamente utilizados reduzem o risco de lesões.
- c) Evite o arranque accidental da ferramenta. Certifique-se de que o comutador de alimentação está desligado antes de ligar a ferramenta à fonte de alimentação e/ou à bateria, antes de pegar nela ou antes de a transportar.** Se mantiver o dedo no interruptor ou accionar o aparelho enquanto este estiver ligado podem ocorrer acidentes.
- d) Remova quaisquer chaves de ajuste ou de porcas antes de ligar a ferramenta eléctrica.** Chaves de porcas ou de ajuste fixadas a peças móveis do berbequim podem causar lesões.
- e) Não exceda as suas próprias capacidades.** Mantenha sempre o corpo em posição firme e de equilíbrio, o que lhe permite controlar melhor a ferramenta eléctrica em situações imprevistas.
- f) Use roupa apropriada. Não use vestuário solto ou artigos de joalheria.** Mantenha o cabelo, vestuário e luvas afastados de peças em movimento.

Roupas soltas, artigos de joalheria ou cabelos compridos podem ser agarrados por peças em movimento.

- g) Se forem fornecidos dispositivos para a montagem de unidades de extracção ou recolha de resíduos, Assegure-se de que são montados e utilizados adequadamente.** A utilização destes dispositivos pode reduzir os perigos relacionados com a presença de resíduos.

#### **4) UTILIZAÇÃO E MANUTENÇÃO DA FERRAMENTA ELÉCTRICA**

- a) Não force a ferramenta. Utilize a ferramenta eléctrica apropriada para cada aplicação.** A utilização da ferramenta eléctrica apropriada executa o trabalho de forma melhor e mais segura, à velocidade para a qual foi concebida.
- b) Não utilize esta ferramenta se o interruptor estiver deficiente, não ligando ou desligando.** Qualquer ferramenta eléctrica que não possa ser controlada pelo interruptor é perigosa e deve ser reparada.
- c) Desligue a ficha da fonte de alimentação e/ou remova a bateria da ferramenta antes de proceder a quaisquer ajustes, antes de mudar de acessórios ou antes de guardar a ferramenta.** Estas medidas de segurança preventivas reduzem o risco de activação accidental da ferramenta.
- d) Quando não estiver a usar a ferramenta eléctrica, guarde-a fora do alcance das crianças e não deixe que esta seja utilizada por pessoas que não a conheçam, nem tenham lido as instruções.** As ferramentas eléctricas são perigosas nas mãos de utilizadores inexperientes.
- e) Faça a manutenção de ferramentas eléctricas. Verifique quaisquer desalinhamentos, encaixes de peças móveis, quebras e outras condições que possam afectar o funcionamento.** Se esta ferramenta estiver avariada, mande-a reparar antes a utilizar. Muitos acidentes são causados pela manutenção deficiente de ferramentas eléctricas.
- f) Mantenha as ferramentas de corte limpas e afiadas.** As ferramentas de corte com manutenção adequada e arestas de corte afiadas têm menos probabilidades bloquear e são mais fáceis de controlar.
- g) Utilize a ferramenta eléctrica, acessórios, brocas, etc. em conformidade com estas instruções e da forma prevista para este tipo específico de ferramenta, tendo em conta as condições presentes e o trabalho a executar.** A utilização de ferramentas eléctricas para aplicações diferentes daquelas a que se destinam pode levar a situações de perigo.

#### **5) ASSISTÊNCIA TÉCNICA**

- a) A sua ferramenta eléctrica só deve ser reparada por um técnico de assistência qualificado e devem ser apenas utilizadas peças de**

substituição genuínas, mantendo assim a segurança da ferramenta.

## NORMAS DE SEGURANÇA ADICIONAIS PARA A SUA REBARBADORA ANGULAR

### AVISOS DE SEGURANÇA COMUNS PARA REBARBAR OU CORTAR COM FERRAMENTA ABRASIVA:

- a) Esta ferramenta eléctrica destina-se a funcionar como uma afiadora, ou ferramenta de corte. Leia todos os avisos de segurança, instruções, ilustrações e especificações fornecidas com esta ferramenta eléctrica. O não seguimento de todas as instruções listadas em baixo pode resultar em choque eléctrico, dar origem a um incêndio e/ou a ferimentos graves.
- b) Não recomendamos a realização do seguinte tipo de operações com esta ferramenta eléctrica: **lixar, escovar escova metálica, ou polir.** A utilização desta ferramenta na realização de tarefas para as quais a mesma não foi concebida é perigosa e pode causar ferimentos pessoais
- c) Não utilize acessórios que não tenham sido especificamente concebidos e recomendados pelo fabricante. O facto de um qualquer acessório poder ser colocado na sua ferramenta eléctrica não garante um funcionamento seguro por parte deste.
- d) A velocidade do acessório deve corresponder, pelo menos, à velocidade máxima assinalada na ferramenta eléctrica. A utilização de acessórios a uma velocidade superior àquela para a qual estes foram concebidos pode levar à desintegração dos mesmos.
- e) O diâmetro exterior e a espessura do acessório deve corresponder à capacidade da sua ferramenta eléctrica. A utilização de acessórios de tamanho não adequado não permite um correcto controlo ou protecção dos mesmos.
- f) A rosca dos acessórios deve ser coincidir com a rosca do eixo da rebarbadora. Para acessórios montados em pratos, o orifício do acessório deve encaixar no diâmetro do prato. Os acessórios com orifícios para encaixe que não correspondam aos orifícios existentes na ferramenta eléctrica ficarão desequilibrados, podem vibrar excessivamente e causar a perda de controlo da ferramenta.
- g) Não utilize acessórios que estejam danificados. Antes de cada utilização, verifique o acessório. Os discos abrasivos devem ser verificados para ver se apresentam falhas ou rachas, os suportes devem ser verificados para ver se apresentam falhas ou sinais de desgaste excessivo, farpas, fios soltos ou quebrados. Se deixar cair a ferramenta eléctrica ou o

acessório, determine se houve danos ou instale um acessório que não esteja danificado.

Após a inspecção e instalação de um acessório posicione-se, juntamente com quaisquer outras pessoas, afastado da linha de rotação do acessório e ponha a ferramenta eléctrica a funcionar à velocidade máxima sem carga durante um minuto. Os acessórios que estejam danificados quebram-se geralmente durante este período de teste.

- h) **Utilize equipamento de protecção. Dependendo da tarefa a realizar, utilize uma máscara ou óculos de protecção. Se necessário, use uma máscara contra o pó, tampões para os ouvidos, luvas e um avental forte capaz de o proteger contra partículas abrasivas pequenas ou outros fragmentos.** O equipamento de protecção ocular deve ter capacidade para apanhar os detritos resultantes dos vários tipos de tarefas realizadas. A máscara contra o pó ou o filtro deve ser capaz de filtrar as partículas resultantes da tarefa que estiver a executar. Uma exposição prolongada a ruídos de grande intensidade pode causar perda de audição.
- i) **Mantenha todas as outras pessoas a uma distância segura da área de trabalho. Qualquer pessoa que entre na área de trabalho deve usar equipamento de protecção pessoal.** Os fragmentos resultantes da peça em que está a trabalhar ou de um acessório que se tenha partido podem atingir alguém e causar ferimentos nas pessoas que se encontrem nas imediações da área de trabalho.
- j) **Ao realizar uma tarefa em que o acessório de corte possa entrar em contacto com fios eléctricos que estejam ocultos ou com o próprio cabo de alimentação, segure na ferramenta eléctrica usando apenas as superfícies próprias para o efeito.** O acessório de corte pode entrar em contacto com um fio eléctrico vivo o que por sua vez pode fazer com que as partes metálicas da ferramenta fiquem electrificadas e fazer com que o utilizador desta sofra um choque eléctrico.
- k) **Posicione o cabo de forma a que este fique afastado do acessório em rotação.** Se perder o controlo da ferramenta, o cabo pode ser cortado ou puxado e a mão ou braço do utilizador ser puxado na direcção do acessório em rotação.
- l) **Nunca pouse a ferramenta eléctrica até o acessório que estava a usar ter parado completamente.** Este pode entrar em contacto com a superfície sobre a qual colocou a ferramenta e fazer com que esta fique fora do seu controlo.
- m) **Não transporte a ferramenta ao lado do seu corpo quando esta estiver a funcionar.** O contacto accidental com o acessório em rotação pode prender a sua roupa e puxar o acessório na direcção do seu corpo.
- n) **Limpe regularmente as ranhuras de**

**ventilação da sua ferramenta eléctrica.** A ventoinha do motor puxa pó para o interior da ferramenta e uma acumulação excessiva de pó metálico pode dar origem a choques eléctricos.

- o) Não utilize esta ferramenta eléctrica próximo de materiais inflamáveis.** Estes podem incendiar-se se entrarem em contacto com quaisquer faíscas.
- p) Não use acessórios que necessitem de refrigerantes líquidos.** A utilização de água ou de outros refrigerantes líquidos pode dar origem a choques eléctricos
- q) A sua mão deverá segurar a pega durante o trabalho.** Utilize sempre as pegas auxiliares fornecidas com a ferramenta. A perda de controlo poderá causar ferimentos pessoais.

## INSTRUÇÕES ADICIONAIS DE SEGURANÇA PARA

### TODAS AS OPERAÇÕES

Acção de retorno e outros avisos relacionados  
A acção de retorno ocorre quando o disco, o suporte, a escova ou qualquer outro acessório rotativo fica preso ou é puxado repentinamente. Isto faz com que o acessório rotativo pare repentinamente, o que por sua vez força a ferramenta eléctrica na direcção oposta à da linha de rotação do acessório no ponto de aperto. Por exemplo, se um disco abrasivo for puxado ou ficar preso na peça em que está a trabalhar a extremidade do disco que se encontra introduzida no ponto de aperto pode penetrar ainda mais no material provocando a acção de retorno. Dependendo da direcção de rotação do disco, este pode saltar na direcção do utilizador ou na direcção oposta. Nesta situação, os discos abrasivos podem também quebrar. A acção de retorno resulta de uma utilização indevida e/ou incorrecta e pode ser evitada tomando as precauções descritas a seguir.

- a) Segure firmemente na ferramenta eléctrica e posicione o seu corpo e braço de forma a resistir a qualquer acção de retorno. Utilize sempre a pega auxiliar, se esta existir, para ter um maior controlo sobre a ferramenta em caso de retorno desta durante o arranque.** O utilizador será capaz de controlar a acção de retorno se tomar as devidas precauções.
- b) Nunca coloque as mãos próximo do acessório rotativo.** Este pode atingir as suas mãos.
- c) Não posicione o corpo de forma a que este seja atingido em caso de retorno da ferramenta.** A acção de retorno faz com que a ferramenta se mova na direcção oposta à do disco no ponto de aperto.
- d) Tenha especial cuidado ao trabalhar em esquinas, arestas afiadas, etc. Evite qualquer ressalto ou prendimento do acessório.** A utilização da ferramenta em esquinas, arestas afiadas ou o ressalto desta pode fazer com que o

acessório rotativo seja puxado e leve à perda de controlo ou ao retorno da ferramenta eléctrica.

- e) Não ligue uma lâmina de entalhe de corrente da serra, nem uma lâmina de serra dentada.** Este tipo de lâminas cria um retorno frequente e perda de controlo.

## INSTRUÇÕES ADICIONAIS DE SEGURANÇA PARA AS OPERAÇÕES DE AFIAMENTO E CORTE

**Avisos de segurança específicos para as operações de rectificação e de corte:**

- a) Utilize apenas os tipos de discos recomendados para a sua ferramenta eléctrica e a guarda específica concebida para o disco em questão.** A utilização de discos não apropriados para uma determinada ferramenta eléctrica faz com que estes não possam ser devidamente protegidos e não são seguros.
- b) Os discos com centro côncavo devem ser montados abaixo do nível da pala de protecção.** Um disco montado de forma inadequada que esteja projectado além da pala de protecção não poderá ser protegido adequadamente.
- c) A guarda deve ser correctamente colocada na ferramenta eléctrica e posicionada de forma a garantir uma máxima segurança e também que a parte do disco que fica exposta seja o menor possível.** A guarda ajuda a proteger o utilizador contra fragmentos de disco partidos e contra o contacto accidental com este.
- d) Os discos devem ser utilizados apenas para as situações para que foram concebidos. Por exemplo: não utilize o disco de corte para rectificar um objecto.** Os discos de corte abrasivos destinam-se apenas às operações de rectificação periférica. Se submeter estes discos a quaisquer forças laterais os mesmos podem desintegrar-se.
- e) Utilize sempre falanges não danificadas e com o tamanho e a forma correctos para o disco seleccionado. A utilização de falanges apropriadas para o disco que pretende utilizar reduz a possibilidade de quebra deste.** As falanges para os discos de corte podem ser diferentes das falanges para os discos de rectificação.
- f) Não utilize discos desgastados e concebidos para utilização com ferramentas eléctricas de maior potência.** Os discos concebidos para serem usados com ferramentas eléctricas maiores não são próprios para serem utilizados à velocidade máxima das ferramentas menores e podem partir-se.









## INSTRUÇÕES ADICIONAIS

# DE SEGURANÇA PARA AS OPERAÇÕES DE CORTE


**Avisos de segurança específicos para as operações de corte com discos abrasivos:**

- a) Não "prenda" ou aplique força excessiva sobre o disco de corte. Não tente fazer um corte muito fundo.** Se exercer uma pressão excessiva sobre o disco estará a aumentar a carga sobre este o que aumenta a possibilidade de deformação ou de prendimento do disco no corte e a possibilidade de retorno ou de quebra do mesmo.
- b) Não posicione o seu corpo na direcção do disco de corte ou por detrás deste.** Quando o disco estiver a funcionar e a rodar na direcção oposta à do seu corpo, a acção de retorno pode fazer com que o disco e a ferramenta eléctrica se virem na sua direcção.
- c) Quando o disco ficar preso, ou sempre que interromper a operação de corte por qualquer motivo, desligue a ferramenta eléctrica e continue a segurar nesta até o disco parar completamente.** Nunca tente remover o disco do corte com o disco ainda em movimento. Se o fizer, tal pode dar origem ao retorno da ferramenta eléctrica. Se o disco prender, tente determinar a causa e tome as devidas medidas para pôr o disco a funcionar normalmente.
- d) Não retome a operação de corte. Deixe que o disco atinja a sua velocidade máxima e depois introduza-o cuidadosamente no corte.** Se puser o disco a funcionar com este encaixado no corte, o mesmo pode ficar preso ou tal pode dar origem à acção de retorno por parte do disco.
- e) Apoie sempre a peça em que está a trabalhar ou qualquer peça de grandes dimensões para evitar o prendimento ou retorno do disco. As peças de grandes dimensões têm tendência para vergar sob o seu próprio peso.** Coloque suportes por baixo da peça em que está a trabalhar próximo da linha de corte e perto da extremidade da peça de ambos os lados do risco.
- f) Tenha especial cuidado ao abrir "buracos" em paredes existentes ou outras áreas do género.** O disco pode cortar tubos de gás ou canos de água, os cabos eléctricos ou outros objectos e tal pode dar origem ao retorno da ferramenta.

## SÍMBOLOS

	Para reduzir o risco de ferimentos o utilizador deve ler o manual de instruções
	Classe de protecção
	Aviso
	Usar protecção para os ouvidos
	Usar protecção ocular
	Usar máscara contra o pó
	Usar luvas de protecção
	Certifique-se de que a ferramenta está desligada da tomada antes de substituir acessórios.
	Bloquear
	Desbloquear
	Os equipamentos eléctricos não devem ser despositados com o lixo doméstico. Se existirem instalações adequadas deve reciclá-los. Consulte a sua autoridade local para tratamento de lixos ou fornecedor para obter aconselhamento sobre reciclagem.

## REGRAS ADICIONAIS DE SEGURANÇA PARA MOEDOR DE ÂNGULO

 **AVISO:** Verifique se a alça está na posição travada antes de iniciar o moedor. A rotação da alavanca é permitida apenas na condição de desligado.

## 2. LISTA DE COMPONENTES

1. ALÇA AUXILIAR
2. PUNHO TRASEIRO
3. INTERRUPTOR LIGAR/DESLIGAR




<b>4.</b>	<b>BOTÃO DE TRAVAMENTO</b>
<b>5.</b>	<b>COBERTURA DE ESCOVA</b>
<b>6.</b>	<b>PROTECTOR DE RODA PARA MOAGEM</b>
<b>7.</b>	<b>DISCO *</b>
<b>8.</b>	<b>BOTÃO DE BLOQUEIO DO EIXO</b>
<b>9.</b>	<b>INGLESA</b>
<b>10.</b>	<b>FLANGE INTERNA</b>
<b>11.</b>	<b>FLANGE EXTERIOR</b>
<b>12.</b>	<b>PROTECTOR DE RODA PARA CORTE</b>
<b>13.</b>	<b>ALAVANCA DE FIXAÇÃO DA GUARDA</b>

\* Acessórios ilustrados ou descritos não estão totalmente abrangidos no fornecimento.

### 3. DADOS TÉCNICOS

Tipo **WX709 WX709.X (700-749 - designação de aparelho mecânico, representativo de Rebarbadora)**

	<b>WX709 WX709.X**</b>
Voltagem	230-240 V~50 Hz
Entrada de energia	2350 W
Sem velocidade de carga	6500 /min
Tamanho do disco	230 mm
Furo do disco	22.2 mm
Rosca do eixo	M14
Diâmetro de roda de moagem	230 mm
Espessura da mó (max.)	6 mm
Classe de proteção	 /II
Peso da máquina	5.7 kg

\*\* X = 1-999, A-Z, M1-M9, são utilizados apenas para clientes diferentes, não há alterações relevantes seguras entre esses modelos.


Recomendamos-lhe que compre todos os acessórios no fornecedor onde adquiriu a ferramenta. Para mais informações, consulte as Sugestões de Trabalho neste manual ou a embalagem de acessórios. O pessoal do fornecedor também pode ajudar e aconselhar.

### INFORMAÇÃO DE RUÍDO

Pressão de som avaliada  $L_{PA}$ : 96 dB(A)

Potência de som avaliada  $L_{WA}$ : 107 dB(A)

$K_{PA} & K_{WA}$  3.0dB(A)

Usar protecção para os ouvidos 

### INFORMAÇÃO DE VIBRAÇÃO

Os valores totais de vibração são determinados de acordo com a normativa EN60745

Moagem de superfícies	Valor da emissão da vibração (para pega principal): $a_{h,AG} = 8.4 \text{ m/s}^2$
	Instabilidade $K = 1.5 \text{ m/s}^2$

- o valor total da vibração declarada foi medido de acordo com um método de teste padrão e pode ser usado para comparar uma ferramenta com outra;
- o valor total da vibração declarada também pode ser usado em uma avaliação preliminar da exposição.



**AVISO:** O valor da emissão de vibração durante o uso real da ferramenta elétrica pode diferir do valor declarado, dependendo da maneira como a ferramenta é usada, dependendo dos exemplos a seguir e de outras variações de como a ferramenta é usada:

Como a ferramenta é usada e os materiais que estão sendo cortados.

A ferramenta está em boas condições e bem conservada

Use o correto acessório para a ferramenta e verifique se ela está afiada e em boas condições.

O aperto da alça no punho e se algum acessório antivibração for usado.

E a ferramenta está sendo usada conforme o planejado e estas instruções.

**Esta ferramenta pode causar síndrome de vibração mão-braço se seu uso não for adequadamente gerenciado.**



**AVISO:** Para ser preciso, uma estimativa do nível de exposição nas condições reais de uso também deve levar em consideração todas as partes do ciclo operacional, como os horários em que a ferramenta é desligada e quando está ociosa, mas não está realizando o trabalho. Isso pode reduzir significativamente o nível de exposição durante o total período de trabalho.

Ajudando a minimizar o risco de exposição à vibração.

Mantenha esta ferramenta de acordo com estas instruções e mantenha bem lubrificado (quando apropriado).

Se a ferramenta for usada regularmente, invista em acessórios anti-vibração.

Planeje seu horário de trabalho para espalhar qualquer uso de ferramenta de alta vibração por vários dias.

## 4. UTILIZAÇÃO DE ACORDO COM AS DISPOSIÇÕES

O aparelho é determinado para cortar, desbastar e escovar materiais de metal e de pedra, sem utilizar água. Para cortar metais é necessário utilizar uma capa de protecção especial para cortes (acessório).

## 5. INSTRUÇÕES DE FUNCIONAMENTO



**NOTA:** Antes de utilizar a ferramenta, leia atentamente o livro de instruções.

### MONTAGEM E FUNCIONAMENTO

Ação	Figura
<b>MONTAGEM</b>	
Montagem handle auxiliar	Ver A
Encaixe dos discos	Ver B1, B2, B3

Ajuste da protecção

**NOTA: Para trabalhos com discos de desbastar ou de cortar, é necessário que a capa de protecção esteja montada. Utilize sempre o tipo de disco correcto para cada aplicação. Caso a unidade se destine à realização de operações de corte, deverá ser aplicado um resguardo específico para esta operação.**

O ressalto de codificação na capa de protecção assegura, que apenas uma capa de protecção corresponda à um respectivo tipo de aparelho.


Abrir a alavanca de aperto. Colocar a capa de protecção com o ressalto de codificação na ranhura de codificação que se encontra na gola do veio do cabeçote do aparelho e girar até a posição necessária (posição de trabalho).

Para fixar a capa de protecção, é necessário fechar a alavanca de aperto.

**Ajustar a capa de protecção de modo a evitar que voem fálhas na direcção do operador.**

**NOTA:** Com a alavanca de grampo aberta, o parafuso de ajuste do grampo pode ser ajustado para garantir que a protecção seja presa com segurança depois que a alavanca de aperto for finalmente fechada.

### FUNCIONAMENTO

Utilizar o interruptor Ligar/Desligar	Ver D
Áreas das pegas manuais	Ver E
Desbaste  <b>AVISO!</b> Nunca utilize um disco de corte para desbaste.	
Cortar	Ver F
Para usar o punho de rotação	Ver G
Para substituir as escovas	Ver H

Ver C

## DICAS DE TRABALHO PARA SEU MOEDOR

1. O seu moedor de ângulo é útil tanto para cortar metais, por exemplo, para remover cabeças de parafusos quanto para limpar / preparar superfícies, ou seja, antes e depois das operações de soldagem.
2. Diferentes tipos de roda / cortador permitirão que o moedor atenda a várias necessidades. Normalmente, as rodas / cortes estão disponíveis para aço macio, aço inoxidável, pedra e tijolo. Discos impregnados

de diamante estão disponíveis para materiais muito duros.

3. Se o moedor for usado em metais macios, como o alumínio, a roda ficará entupida em breve e precisará ser trocada.
4. Sempre, deixe o moedor fazer o trabalho, não o force ou aplique pressão excessiva no disco / roda.
5. Se o corte de um slot garantir que o cortador seja mantido alinhado com o slot, torcer o cortador pode causar o disco a quebrar. Se o corte de folhas finas permitir apenas material, a penetração excessiva pode aumentar a chance de causar danos.
6. Ao cortar pedra ou tijolo, é aconselhável usar um extrator de poeira.

## 6. MANUTENÇÃO

**Retire o cabo de alimentação da tomada antes de efectuar quaisquer ajustamentos, reparações ou manutenção.**

A sua ferramenta não requer qualquer lubrificação ou manutenção adicional.

A ferramenta, o conjunto de baterias e o carregador não têm peças susceptíveis de ser substituídas pelo utilizador. Nunca utilize água ou produtos químicos para limpar a sua ferramenta. Limpe-a com um pano macio. Guarde sempre a sua ferramenta num local seco. Mantenha as ranhuras de ventilação do motor devidamente limpas. Se observar a ocorrência de faíscas nas ranhuras de ventilação, isso é normal e não danificará a sua ferramenta.

Se o cabo de alimentação estiver danificado, este deve ser substituído pelo fabricante, seu agente autorizado ou pessoal técnico qualificado para evitar qualquer situação de perigo.

## 7. SOLUÇÃO DE PROBLEMAS

Embora seu novo moedor seja realmente muito simples de operar, se você tiver problemas, verifique o seguinte:

1. Se o seu moedor não funcionar, verifique a energia na tomada principal.
2. Se sua roda do moedor oscilar ou vibrar, verifique se o flange externo está apertado, verifique se o disco está localizado corretamente na placa do flange.
3. Se houver alguma evidência de que a roda está danificada não use, pois a roda danificada pode se desintegrar, remova-a e substitua por uma nova roda. Descarte as rodas velhas de forma sensata.
4. Se trabalhar com alumínio ou uma liga macia semelhante, o disco logo ficará entupido e não tritulará efetivamente.
5. Se uma falha não puder ser corrigida, devolva a ferramenta a um revendedor autorizado ou a seu agente de serviço para reparo.

## 8. PROTECÇÃO AMBIENTAL



Os equipamentos eléctricos não devem ser eliminados com o lixo doméstico. Se existirem instalações adequadas deve reciclá-los. Consulte a sua autoridade local para tratamento de lixos ou fornecedor para obter aconselhamento sobre reciclagem.

## 9. DECLARAÇÃO DE CONFORMIDADE

Nós,  
Positec Germany GmbH  
Postfach 32 02 16, 50796 Cologne, Germany

Declaramos que o produto,  
Descrição **Worx Rebarbadora**  
Tipo **WX709 WX709.X (700-749 - designação de aparelho mecânico, representativo de Rebarbadora)**  
Função **Rebarbamento periférico e lateral**

Cumpe as seguintes Directivas:  
**2006/42/EC, 2011/65/EU&(EU)2015/863 2014/30/EU**

Normas em conformidade com:  
**EN 55014-1, EN 55014-2**  
**EN IEC 61000-3-2, EN 61000-3-3**  
**EN 60745-1, EN 60745-2-3**

Pessoa autorizada a compilar o ficheiro técnico,  
**Nome Marcel Filz**  
**Morada Positec Germany GmbH**  
**Postfach 32 02 16, 50796 Cologne, Germany**



2021/10/15  
Allen Ding  
Engenheiro-chefe adjunto, Teste e Certificação  
Positec Technology (China) Co., Ltd  
18, Dongwang Road, Suzhou Industrial  
Park, Jiangsu 215123, P. R. China

# INHOUDSOPGAVE

1. VEILIGHEIDSINSTRUCTIES
2. ONDERDELENLIJST
3. TECHNISCHE GEGEVENS
4. BEOOGD GEBRUIK
5. BEDIENINGSINSTRUCTIES
6. ONDERHOUD
7. PROBLEMEN OPLOSSEN
8. BESCHERMING VAN HET MILIEU
9. CONFORMITEITVERKLARING

## 1. VEILIGHEIDSINSTRUCTIES ALGEMENE VEILIGHEIDSWAARSCHUWINGEN VOOR VERMOGENSMACHINE



**WAARSCHUWING! Lees alle instructies zorgvuldig door.** Indien u zich niet aan alle onderstaande instructies houdt, kan dat leiden tot een elektrische schok, brand en/of ernstig letsel.

### Bewaar alle waarschuwingen en instructies voor latere naslag.

De term "(elektrisch) gereedschap" in de waarschuwingen hieronder, verwijst naar uw op netspanning werkende gereedschap (met stroomdraad) of uw accugereedschap (draadloos).

#### 1. WERKGEBIED

- a) Houd uw werkgebied schoon en zorg ervoor dat deze goed verlicht is.** In rommelige en slecht verlichte werkgebieden gebeuren sneller ongelukken.
- b) Gebruik elektrisch gereedschap niet in explosieve atmosferen, zoals in de nabijheid van ontvlambare vloeistoffen, gassen of stof.** Elektrisch gereedschap veroorzaakt vonken die de stof of de gassen kunnen doen ontvlammen.
- c) Houd kinderen en omstanders uit de buurt terwijl u met elektrisch gereedschap werkt.** Afdelingen kunnen ervoor zorgen dat u de controle over het gereedschap verliest.

#### 2. ELEKTRISCHE VEILIGHEID

- a) De stekker van het elektrisch gereedschap moet passen in het stopcontact. Pas de stekker op geen enkele manier aan om te zorgen dat hij wel past. Gebruik geen adapterstekkers terwijl u geaard elektrisch gereedschap gebruikt.** Onaangepaste stekkers die in het stopcontact passen, verminderen de

kans op een elektrische schok.

- b) Vermijd lichamelijk contact met geaarde of gegronde oppervlakken, zoals buizen, radiatoren, fornuizen en koelkasten.** Als uw lichaam geaard of geground is, is er een grotere kans op een elektrische schok.
- c) Stel uw elektrische gereedschap niet bloot aan regen of natte omstandigheden.** Water dat elektrisch gereedschap kan binnendringen, vergroot de kans op een elektrische schok.
- d) Gebruik de stroomdraad niet op een andere manier dan waarvoor deze gemaakt is. Trek niet aan de stroomdraad, ook niet om de stekker uit het stopcontact te krijgen en draag het gereedschap niet door het aan de stroomdraad vast te houden. Houd de stroomdraad uit de buurt van hitte, olie, scherpe hoeken en bewegende onderdelen.** Beschadigde of verwarde stroomdraden vergroten de kans op een elektrische schok.
- e) Wanneer u het elektrische gereedschap buitenshuis gebruikt, dient u te zorgen voor een verlengsnoer dat geschikt is voor gebruik buitenshuis.** Het gebruik van een verlengsnoer dat geschikt is voor gebruik buitenshuis, vermindert de kans op een elektrische schok.
- f) Moet een krachtmachine in een vochtige locatie worden gebruikt, gebruik dan een aardlekschakelaar (ALS).** Een ALS vermindert het gevaar op elektrische schokken.

#### 3. PERSOONLIJKE VEILIGHEID

- a) Blijf alert, kijk waar u mee bezig bent en gebruik uw gezonde verstand wanneer u met elektrisch gereedschap werkt. Gebruik geen elektrisch gereedschap wanneer u moe bent of onder de invloed van drugs, alcohol of medicijnen.** Een moment van onoplettendheid bij het gebruik van elektrisch gereedschap kan leiden tot ernstig persoonlijk letsel.
- b) Gebruik een veiligheidsuitrusting. Draag altijd oogbescherming.** Een veiligheidsuitrusting, zoals een stofmasker, schoenen met antislipzolen, een veiligheidshelm, of oorbescherming die onder de juiste omstandigheden gebruikt wordt, vermindert de kans op persoonlijk letsel.
- c) Pas op dat het apparaat niet onbedoeld wordt gestart. Zorg ervoor dat de schakelaar uit staat voordat u de voeding en/of batterij aansluit, en als u de machine oppakt en draagt.** Gereedschap dragen terwijl u uw vinger op de schakelaar houdt, of de stekker in het stopcontact steken terwijl het gereedschap ingeschakeld staat, is vragen om ongelukken.
- d) Verwijder inbussleutels of moersleutels voordat u het gereedschap inschakelt.** Een sleutel die nog in of op een draaiend onderdeel van het elektrische gereedschap zit, kan leiden tot ernstig persoonlijk letsel.

- e) **Werk niet boven uw macht. Zorg er altijd voor dat u stevig staat en goed in balans bent.** Hierdoor heft u betere controle over het gereedschap in onverwachte situaties.
- f) **Draag geschikte kleding. Draag geen loszittende kleding of sieraden. Houd uw haar, kleding en handschoenen uit de buurt van bewegende onderdelen.** Loszittende kleding, sieraden of lang haar kan vast komen te zitten in bewegende onderdelen.
- g) **Wanneer er apparaten worden bijgeleverd voor stofafzuiging en –opvang, zorg er dan voor dat deze aangesloten zijn en op de juiste manier gebruikt worden.** Het gebruik van deze apparaten vermindert de gevaren die door stof kunnen ontstaan.

#### 4. GEBRUIK EN ONDERHOUD VAN ELEKTRISCH GEREEDSCHAP

- a) **Forceer het gereedschap niet. Gebruik gereedschap dat voor de toepassing geschikt is.** Het gebruik van geschikt gereedschap levert beter werk af en werkt veiliger als het gebruikt wordt op de snelheid waar het voor ontworpen is.
- b) **Gebruik het gereedschap niet wanneer de aan/uitschakelaar niet functioneert.** Gereedschap dat niet kan worden bediend met behulp van de schakelaar is gevaarlijk en dient te worden gerepareerd.
- c) **Neem de stekker uit het stopcontact en/of verwijder de batterij voordat u instellingen veranderd, toebehoren vervangt of de machine opbergt.** Deze preventieve veiligheidsmaatregelen verminderen de kans op het ongewild inschakelen van het gereedschap.
- d) **Berg gereedschap dat niet gebruikt wordt buiten het bereik van kinderen op en laat personen die niet bekend zijn met het gereedschap of met deze veiligheidsinstructies het gereedschap niet bedienen.** Elektrisch gereedschap kan in de handen van ongetrainde gebruikers gevaarlijk zijn.
- e) **Onderhoud elektrisch gereedschap op de juiste wijze. Controleer of bewegende onderdelen nog goed uitgelijnd staan, of ze niet ergens vastzitten en controleer op elke andere omstandigheid die ervoor kan zorgen dat het gereedschap niet goed functioneert. Wanneer het gereedschap beschadigd is, dient u het te repareren voordat u het in gebruik neemt.** Veel ongelukken worden veroorzaakt door slecht onderhouden elektrisch gereedschap.
- f) **Houd snijdend gereedschap schoon en scherp.** Goed onderhouden snijdend gereedschap met scherpe zaagbladen/messen zal minder snel vastlopen en is makkelijker te bedienen.
- g) **Gebruik het gereedschap, de accessoires, de bitjes, enz. in overeenstemming met deze instructies en op de manier zoals**

**bedoeld voor het specifieke type elektrisch gereedschap, rekening houdend met de werkomstandigheden en het uit te voeren werk.** Het gereedschap gebruiken voor andere doeleinden dan waar deze voor ontworpen is, kan gevaarlijke situaties opleveren.

#### 5. SERVICE

- a) **Laat uw elektrisch gereedschap repareren door een bevoegde reparateur die alleen originele reserveonderdelen gebruikt.** Zo bent u er zeker van dat uw gereedschap veilig blijft.

## VEILIGHEIDSINSTRUCTIES VOOR ALLE BEWERKINGEN

### DEZE VEILIGHEIDSWAARSCHUWINGEN GELDEN VOOR SLIJF-, SCHUUR- EN SNIJBEWERKINGEN:

- a) **Deze machine is bedoeld om gebruikt te worden als slijpmachine, of zaag. Lees alle veiligheidswaarschuwingen, instructies, illustraties en specificaties die met deze machine geleverd zijn.** Worden de instructies hieronder niet opgevolgd, dank aan dat resulteren in elektrische schok, brand en of ernstig letsel.
- b) **Bewerkingen zoals slijpen, staalborstelen, polijsten en afkorten worden met deze machine niet aanbevolen.** Bewerkingen waarvoor de machine niet bedoeld is, kunnen gevaarlijk zijn en persoonlijk letsel veroorzaken
- c) **Gebruik geen accessoires die niet speciaal ontworpen en aanbevolen zijn door de fabrikant van de machine.** Het feit dat een accessoire op de machine past, betekent niet dat de veilige werking gegarandeerd is.
- d) **De nominale snelheid van een accessoire moet minstens zo groot zijn als de maximale snelheid van de machine.** Accessoires die op een te hoge snelheid worden gebruikt, kunnen uit elkaar vliegen.,
- e) **De buitendiameter en de dikte van een accessoire moeten binnen de capaciteit van de machine passen.** Accessoires van de verkeerde grootte kunnen niet goed beschermd en bediend worden.
- f) **Inzetgereedschappen met schroefdraadinzetstuk moeten nauwkeurig op de schroefdraad van de uitgaande as passen. De gatdiameter van met een flens gemonteerde inzetgereedschappen moet passen bij de opnamediameter van de flens.** Inzetgereedschappen die niet nauwkeurig op het elektrische gereedschap bevestigd worden, draaien ongelijkmatig, trillen sterk en kunnen tot verlies van de controle leiden.
- g) **Gebruik geen beschadigde accessoires. Controleer de accessoires voor gebruik: schuurschijven op spaanders en barsten,**

**scheuren en bovenmatige slijtage. Mocht de machine of een accessoire vallen, inspecteer hem dan op schade of gebruik een nieuw accessoire. Zorg er na inspectie en montage van een accessoire voor dat u en omstanders uit het vlak van het draaiende accessoire staan en laat de machine een minuut op maximale onbelaste snelheid draaien.** Een beschadigd accessoire zal meestal tijdens een dergelijke test uit elkaar breken.

- h) Draag persoonlijke beschermingsmiddelen. Afhankelijk van de werkzaamheden draagt u hoofdbescherming of een veiligheidsbril. Draag zonodig een stofmasker, gehoorbescherming, handschoenen en een schort waarmee afgeslepen materiaal en delen van het werkstuk mee kunnen worden opgevangen.** De oogbescherming moet geschikt zijn om rondvliegende deeltjes op te vangen die bij de werkzaamheden ontstaan. Het stofmasker moet geschikt zijn om deeltjes uit de lucht te filteren. Langdurige blootstelling aan lawaai kan tot gehoorschade leiden.
- i) Houd omstanders op een veilige afstand van het werkgebied. Iedereen die zich in het werkgebied bevindt moet persoonlijke beschermingsmiddelen dragen.** Brokstukken van het werkstuk en een gebroken accessoire kunnen wegvliegen en letsel veroorzaken, ook buiten de onmiddellijke omgeving van de werkzaamheden.
- j) Houd de machine alleen vast bij de geïsoleerde handgrepen, waneer uw werkzaamheden tot gevolg kunnen hebben dat het accessoire in contact komt met b) verborgen bedrading of het eigen netsnoer.** Contact met een onder spanning staande leiding kan ook metalen delen van het gereedschap onder spanning zetten en tot een elektrische schok leiden.
- k) Houd het netsnoer uit de buurt van het draaiende accessoire.** Verliest u de macht over de machine, dan kan het snoer worden doorgesneden en bovendien kan uw hand of arm in het draaiende accessoire worden getrokken.
- l) Leg de machine nooit neer als het accessoire nog in beweging is.** Het draaiende accessoire kan tegen de oppervlakte komen waardoor u de macht over de machine verliest.
- m) Laat de machine niet draaien terwijl u hem opzij draagt.** Door onbedoeld contact met het draaiende accessoire kan uw kleding worden gegrepen, waardoor de machine in aanraking met uw lichaam komt.
- n) Maak de ventilatieopeningen van de machine geregeld schoon.** De ventilator van de motor brengt stof binnen de behuizing en door ophoping van metalen deeltjes kan ere en elektrisch gevaar ontstaan
- o) Gebruik de machine niet bij ontbrandbare materialen.** Ze zouden door vonken in brand

kunnen raken.

- p) Gebruik geen accessoires die een vloeibaar koelmiddel nodig hebben.** Het gebruik van water of andere vloeibare koelmiddelen kan elektrocutie of elektrische schokken tot gevolg hebben
- q) Houd het handvat vast als u werkt.** Gebruik altijd de hulphandvatten die met de machine geleverd zijn. Als u de machine niet beheerst kan dat in persoonlijk letsel resulteren.

## VERDERE VEILIGHEIDSINSTRUCTIES VOOR ALLE BEWERKINGEN

**Terugslag en daarmee verwante waarschuwingen**  
Terugslag is een plotselinge reactie van een draaiend wiel of ander accessoire als het plotseling bekneld raakt. Het accessoire blijft daardoor ineens stilstaan waardoor de machine onbeheerst gedwongen wordt in een richting die tegengesteld is aan de draairichting van het accessoire.

Bijvoorbeeld, als een slijpwiel in het werkstuk blijft klemzitten, dan zal de rand van het wiel zich in de oppervlakte van het materiaal graven waarna het wiel naar buiten schiet. Het wiel kan in de richting van de gebruiker schieten of in de andere richting, afhankelijk van de bewegingsrichting van het wiel op het moment dat het vast bleef zitten. Een schuurwiel kan onder die omstandigheden ook breken.

Terugslag is het gevolg van verkeerd gebruik van een machine en/of onjuiste bedrijfsprocedures en –omstandigheden. Met de juiste maatregelen kan het vermeden worden, zoals hieronder is beschreven.

- a) Houd de machine stevig vast en zorg ervoor dat lichaam en armen in een zodanige positie staan dat u de terugslagkrachten kunt weerstaan. Maak steeds gebruik van het hulphandvat, als het aanwezig is, zodat u tijdens het opstarten maximale beheersing hebt over terugslag en koppelreacties.** De gebruiker kan koppelreacties en terugslagkrachten beheersen met de juiste voorzorgsmaatregelen.
- b) Houd uw hand nooit bij het draaiende accessoire.** Het accessoire kan over uw hand terugslaan.
- c) Houd uw lichaam niet op een plaats waar de machine komt als er terugslag optreedt.** Bij terugslag schiet de machine in een richting die tegengesteld is aan de beweging van het wiel, op het moment dat het wiel vastklemt.
- d) Wees voorzichtig bij het werken langs hoeken, scherpe randen e.d. zodat vermeden wordt dat de machine terugstuitert en het accessoire blijft vastzitten.** Hoeken, scherpe randen en stuiten kunnen het draaiende accessoire vastgrijpen waardoor u de macht over de machine verliest of er terugslag optreedt.

- e) **Monteer geen kettingzaag, houtsnijmes of zaagblad met tanden.** Dergelijke gereedschappen geven vaak terugslag en het gevaar dat u de macht over de machine verliest.

## EXTRA VEILIGHEIDSINSTRUCTIES VOOR SLIJPEN EN AFKORTEN

**Veiligheidswaarschuwingen betreffende slijpen en schuurbewerkingen:**

- a) **Gebruik alleen een wieltype dat is aanbevolen voor de machine en de specifieke beschermkap die voor dat wiel bedoeld is.** Wielen die niet geschikt zijn voor de machine kunnen niet goed beschermd worden en zijn onveilig.
- b) **Gebogen slijpschijven moeten zodanig gemonteerd worden dat hun slijppoppervlak niet boven de rand van de beschermkap uit steekt.** Een onjuist gemonteerde slijpschijf die over de rand van de slijpschijf uitsteekt, kan onvoldoende afgeschermd worden.
- c) **De kap moet stevig aan de machine bevestigd zijn en gepositioneerd zijn voor maximale veiligheid, zodat een minimale oppervlakte van het wiel in de richting van de gebruiker is blootgesteld.** De beschermkap helpt de bediener te beschermen tegen brokstukken en toevallig contact met het slijptoebehoren alsmede tegen vonken die de kleding kunnen doen ontbranden.
- d) **Wielen mogen alleen worden gebruikt voor aanbevolen toepassingen. Probeer bijvoorbeeld niet te slijpen met de kant van een snijwiel.** Een schurend snijwiel is bedoeld voor het slijpen van de oppervlakte – door kracht op de zijkant uit te oefenen zou het wielen uit elkaar kunnen liggen.
- e) **Gebruik steeds onbeschadigde wielflenzen die de juiste grootte en vorm hebben voor het gebruikte wiel.** De juiste wielflenzen ondersteunen het wiel en verminderen de kans dat het wiel breekt. Flenzen voor snijwielen zijn anders dan flenzen voor slijpwielen.
- f) **Gebruik geen afgeslepen wielen van een machine die werkt met een groter vermogen.** Een wiel dat geschikt is voor een groter vermogen, is niet geschikt voor de hogere snelheid van een kleinere machine en zou kunnen breken.

## EXTRA VEILIGHEIDSINSTRUCTIES VOOR AFKORTEN

**Andere veiligheidswaarschuwingen voor schurende snijbewerkingen:**

- a) **Laat het snijwiel niet "vastlopen" en gebruik geen overmatige druk. Probeer niet extra diep te snijden.** Door overbelasting van het wiel vergroot u de kans dat het wiel verbuigt of in de snede blijft vastzitten, waardoor het wiel terugslaat of breekt.
- b) **Zorg ervoor dat uw lichaam zich niet in de lijn van het draaiende wiel bevindt en niet erachter.** Beweegt het wiel, op het moment van gebruik, van uw lichaam af, dan zullen de machine en het wiel door een eventuele terugslag in uw richting komen.
- c) **Blijft het wiel vastzetten of moeten de werkzaamheden onderbroken worden, schakel de machine dan uit en houd hem stil tot het wiel volledig tot stilstand is gekomen. Probeer het snijwiel niet uit de snede te verwijderen terwijl het wiel in beweging is, want er kan terugslag optreden.** Onderzoek de oorzaak van het vastzittende wiel en neem maatregelen om het probleem te verhelpen.
- d) **Herstart de machine niet in het werkstuk. Laat het wiel tot volle snelheid komen en breng het weer terug in de snede.** Het wiel kan vastklemmen, weglopen en terugslaan als de machine wordt gestart met het wiel in het werkstuk.
- e) **Ondersteun panelen en grote werkstukken om het gevaar van vastklemmen en terugslag te vermijden.** Een groot werkstuk kan onder eigen gewicht doorzakken. Ondersteun het werkstuk in de buurt van de snijlijn en aan de rand van het werkstuk, aan weerszijden van het wiel.
- f) **Wees extra voorzichtig bij het maken van een "zaksnede" tussen bestaande muren of in een ander blind gebied.** Het uitstekende wiel kan in contact komen met gas- en waterbuizen, met elektrische bedrading of andere voorwerpen waardoor er terugslag ontstaat.

## AANVULLENDE VEILIGHEIDSREGELS VOOR DE HAAKSE SLIJPER



**WAARSCHUWING:** Zorg ervoor dat de handgreep in de vergrendelde positie staat voordat u de haakse slijper start. Het draaien van de handgreep is alleen in uitgeschakelde toestand toegestaan.

## SYMBOLEN

	Lees de gebruikershandleiding om het risico op letsels te beperken.
	Veiligheidsklasse
	Waarschuwing
	Draag oorbescherming
	Draag een veiligheidsbril
	Draag een stofmasker
	Draag beschermende handschoenen.
	Zorg dat u het gereedschap van de netstroom is losgekoppeld voordat u accessoires vervangt.
	Vergrendelen
	Ontgrendelen
	Afgedankte elektrische producten mogen niet bij het normale huisafval terechtkomen. Breng deze producten waar mogelijk naar een recyclecentrum bij u in de buurt. Vraag de verkoper of de gemeente informatie en advies over het recyclen van elektrische apparatuur.

## 2. ONDERDELENLIJST


<b>1.</b>	<b>EXTRA HANDGREEP</b>
<b>2.</b>	<b>ACHTERSTE HANDGREEP</b>
<b>3.</b>	<b>AAN / UIT SCHAKELAAR</b>
<b>4.</b>	<b>VERGRENDELKNOP</b>

<b>5.</b>	<b>HOEZEN VOOR PENSELEN</b>
<b>6.</b>	<b>SLIJPS WIELAFSCHERMING</b>
<b>7.</b>	<b>SLIJPSCHIJF *</b>
<b>8.</b>	<b>SPINDELSLOTKNOP</b>
<b>9.</b>	<b>SLEUTEL</b>
<b>10.</b>	<b>INTERIEUR FLENS</b>
<b>11.</b>	<b>BUITENFLENS</b>
<b>12.</b>	<b>WIELBESCHERMING VOOR SNIJDEN</b>
<b>13.</b>	<b>BEVEILIGINGSHENDEL</b>

\* Niet alle afgebeelde of beschreven toebehoren worden standaard meegeleverd.

## 3. TECHNISCHE GEGEVENS

Type **WX709 WX709.X (700-749 - aanduiding van machines, kenmerkend voor Haakse slijpmachine)**

	<b>WX709 WX709.X **</b>
Spanning	230-240 V~50 Hz
Ingangsvermogen	2350 W
Geen laadsnelheid	6500 /min
Schijfgrootte	230 mm
Schijflekke	22.2 mm
Spil draad	M14
Diameter van de slijpschijf	230 mm
Dikte van slijpschijf (max.)	6 mm
Beschermingsklasse	 /II
Machinegewicht	5.7 kg

\*\* X = 1-999, A-Z, M1-M9 zijn alleen voor verschillende klanten, er zijn geen veiligheidsgerelateerde wijzigingen tussen deze modellen.

Wij adviseren u alle accessoires te kopen in de winkel waar u het gereedschap heeft aangekocht. Kijk op de verpakking van accessoires voor meer informatie. Ook het winkelpersoneel kan u helpen en adviseren.



## GELUIDSPRODUCTIE

A-gewogen geluidsdruk  $L_{PA}$ : 96 dB(A)

A-gewogen geluidsniveau  $L_{WA}$ : 107 dB(A)

$K_{PA}$  &  $K_{WA}$  3,0dB(A)

Draag oorbescherming 

## TRILLINGSGEGEVENS

Totale trillingswaarden (triax vector-som) volgens EN 60745:

Vlakslippen	Trillingsemissiewaarde : $a_{h,AG} = 8,4 \text{ m/s}^2$
	Onzekerheid $K = 1,5 \text{ m/s}^2$

- De totale aangegeven waarde van vibratie werd gemeten volgens een standaard testmethode en kan worden gebruikt om gereedschap vergelijken met een andere;

- Het totaal van de waarde van de trilling kan ook worden toegepast bij een voorlopige beoordeling van de blootstelling.



**WAARSCHUWING:** De waarde trillingsemissiewaarde tijdens het feitelijke gebruik van het elektrisch gereedschap kan afwijken van de aangegeven waarde, afhankelijk van de manier waarop het gereedschap wordt gebruikt afhankelijk van de volgende voorbeelden en andere variaties op het gebruik van het gereedschap:

Hoe het gereedschap wordt gebruikt en de materialen die moeten worden gesneden.

Als gereedschap in goede staat en goed onderhouden

Gebruik de juiste bevestiging aan het gereedschap en zorg ervoor dat het is scherp en in goede staat.

De strakheid van het greep op de handvatten en als anti-vibratie accessoires worden gebruikt.

En het gereedschap wordt gebruikt zoals bedoeld door het ontwerp en deze instructies.

**Deze gereedschap kan met de hand armvibratiesyndroom veroorzaken als het gebruik ervan niet goed wordt beheerd**



**WAARSCHUWING:** Om precies te zijn, een schatting van de mate van blootstelling in de feitelijke gebruiksomstandigheden moet ook rekening worden gehouden met alle delen van de bedrijfscyclus, zoals de keren dat het gereedschap is uitgeschakeld en wanneer het

stationair draaien, maar is niet eigenlijk aan het doen het werk. Dit kan een aanzienlijke vermindering van de blootstelling over de totale werktijd.

Het helpen om het risico van blootstelling aan trillingen te minimaliseren.

Houd dit instrument in overeenstemming met deze instructies en bewaar deze goed geoliede (indien van toepassing)

Als het gereedschap regelmatig wordt gebruikt, te investeren in trillingsdempers.

Plan uw werk schema om elk gebruik van high-vibratie gereedschap over meerdere dagen te spreiden.

## 4. BEOOGD GEBRUIK

De machine is bestemd voor het doorslijpen, afbramen en borstelen van metaal en steen zonder gebruik van water. Voor het doorslijpen van steen is een geleideslede voorgeschreven.

Voor het doorslijpen van metaal moet een speciale beschermkap voor doorslijpen (toebehoren) worden gebruikt.

## 5. BEDIENINGSINSTRUCTIES



**OPMERKING:** lees het instructieboekje aandachtig voor gebruik van het gereedschap.

### ASSEMBLAGE EN BEDIENING

Actie	Afbeelding
<b>ASSEMBLAGE</b>	
Instelbare voorste handgreep	Zie A
Montage Slijp-/snijdschijf	Zie B1, B2, B3

Aanpassen van de beschermkap  
**OPMERKING: Voor werkzaamheden met afbraam- of doorslijpschijven moet de beschermkap gemonteerd zijn. Gebruik altijd het juiste type schijf voor uw toepassing. Als de machine wordt gebruikt voor doorslijptoeepassingen, moet een specifieke beschermkap voor deze toepassing worden gemonteerd.**  
 Voor werkzaamheden met afbraam- of doorslijpschijven moet de beschermkap gemonteerd zijn.

De codeernok op de beschermkap zorgt ervoor dat alleen een bij dit type machine passende beschermkap gemonteerd kan worden.

Open de spanhendel.  
 Plaats de beschermkap 6 met de codeernok in de codeegroef op de ashals aan de voorzijde van de machine en draai de beschermkap in de gewenste stand (werkstand).  
 Sluit de spanhendel voor het vastklemmen van de beschermkap.

**De gesloten zijde van de beschermkap moet altijd naar de bediener wijzen.**

**OPMERKING:** Met de open Klemmen hendel, kan de klem stelschroef worden aangepast dat de bescherming wordt bevestigd na de Klemmen hendel wordt definitief gesloten.

Zie C

## BEDIENING

Aan/Uit-schakelaar

Zie D

Handgrepen

Zie E

Ruw slijpen



**WAARSCHUWING!** Nooit een snijdschijf gebruiken of te ruwen.

Doorslijpen

Zie F

Gebruik van de slijpen

Zie G

De penselen vervangen

Zie H

## WERKTIPS VOOR UW SLIJPER

1. De haakse slijpen is geschikt voor zowel het snijden van metaal, dat wil zeggen de schroefkoppen te verwijderen, alsook voor het reinigen / oppervlaktebehandeling, d.w.z. vóór en na de lasbewerkingen.

2. Verschillende soorten wiel / snijder zal de slijpen in staat stellen om verschillende behoeften te voldoen. Over het algemeen zijn wielen/snijders beschikbaar voor koolstofstaal, roestvrij staal, steen en baksteen. Diamant geïmpregneerde schijven zijn beschikbaar voor zeer harde materialen.
3. Als de slijpen wordt gebruikt in zachte metalen zoals aluminium, zal de waaier snel verstopt raken en moeten worden veranderd.
4. Laat de slijpen te allen tijde het werk doen, forceer het niet en druk niet op het stuurwiel/de schijf.
5. Als het snijden van een inkeping ervoor zorgt dat het snijapparaat wordt uitgelijnd met de groef, kan het draaien van de frees ervoor zorgen dat de schijf barst. Als het snijden door de dunne plaat alleen mogelijk hardware, overmatige penetratie kan het risico op het veroorzaken van schade te verhogen.
6. Als het snijden steen of baksteen, is het raadzaam om een stofafzuiging te gebruiken.

## 6. ONDERHOUD

**Trek de voedingskabel uit de aansluiting voordat u eventuele aanpassingen, reparaties of onderhoud uitvoert.**

Dit gereedschap bevat geen onderdelen die door de gebruiker dienen te worden onderhouden. Gebruik nooit water of chemische reinigingsmiddelen voor het schoonmaken van uw elektrische gereedschap. Veeg schoon met een droge doek. Bewaar uw elektrische gereedschap altijd op een droge plaats. Houd de ventilatieopeningen van de motor schoon. Houd alle bedieningselementen vrij van stof. Af en toe ziet u vonken in de ventilatiegaten. Dit is normaal en zal uw gereedschap niet beschadigen. Is de voedingskabel beschadigd, dan moet hij, om risico te voorkomen, worden vervangen door de fabrikant, zijn vertegenwoordiger of een ander bevoegd persoon.

## 7. PROBLEEMOPLOSSING

Hoewel uw nieuwe haakse slijper is eigenlijk heel eenvoudig te bedienen, als u problemen ondervindt, controleert u het volgende:

1. Als uw slijpen niet werkt, controleer dan de stroom op de stekker.
2. Als het wiel slijpmachine wiebelt of trilt, controleren of de buitenflens is vastgezet, Controleer of het wiel is gelegen op de flensplaat.
3. Als er enig bewijs dat het wiel beschadigd is niet te gebruiken, omdat de beschadigde wiel kan desintegreren, te verwijderen en te vervangen door een nieuw wiel. Gooi oude wielen met verstandig.
4. Als het werken aan aluminium of een soortgelijke zachte lichtmetalen velgen snel verstopten en niet effectief te malen.

5. Als een fout niet kan worden verholpen, de terugkeer van de gereedschap om een geautoriseerde dealer of met uw diensten van tussenpersonen voor reparatie.

## 8. BESCHERMING VAN HET MILIEU



Afgedankte elektrische producten mogen niet bij het normale huisafval terechtkomen. Breng deze producten waar mogelijk naar een recyclecentrum bij u in de buurt. Vraag de verkoper of de gemeente informatie en advies over het recyclen van elektrische apparatuur.

## 9. CONFORMITEITVERKLARING

Wij,  
Positec Germany GmbH  
Postfach 32 02 16, 50796 Cologne, Germany

Verklaren dat het product  
Beschrijving **Worx Haakse slijpmachine**  
Type **WX709 WX709.X (700-749 - aanduiding van machines, kenmerkend voor Haakse slijpmachine)**  
Functie **Slijpen langs de rand en zijwaarts**

Voldoet aan de volgende richtlijnen,  
**2006/42/EC, 2011/65/EU&(EU)2015/863  
2014/30/EU**

Normen voldoen aan,  
**EN 55014-1, EN 55014-2  
EN IEC 61000-3-2, EN 61000-3-3  
EN 60745-1, EN 60745-2-3**

De persoon die bevoegd is om het technische bestand te compileren,  
**Naam Marcel Filz**  
**Adres Positec Germany GmbH**  
**Postfach 32 02 16, 50796 Cologne, Germany**



2021/10/15  
Allen Ding  
Plaatsvervangend Chief Ingenieur, Testen en Certificering  
Positec Technology (China) Co., Ltd  
18, Dongwang Road, Suzhou Industrial Park, Jiangsu 215123, P. R. China

## INDHOLDSFORTEGNELSE

1. SIKKERHEDSINSTRUKTIONER
2. AGGREGATELEMENTER
3. TEKNISKE DATA
4. BEREGNET ANVENDELSE
5. BETJENINGSVEJLEDNING
6. VEDLIGEHOLDELSE
7. FEJLFINDING
8. MILJØBESKYTTELSE
7. KONFORMITETSERKLÆRING

## 1. SIKKERHEDSINSTRUKTIONER GENERELLE ADVARSLER I FORBINDELSE MED MASKINVÆRKTØJ



**ADVARSEL! Læs samtlige anvisninger.**  
Manglende overholdelse af nedenstående anvisninger kan resultere i elektrisk stød, brand og/eller alvorlig personskade.

**Gem alle advarsler og instruktioner for fremtidig reference.**

Udtrykket "elværktøj" i nedenstående advarsler henviser til dit eldrevne (med ledning) eller batteridrevne (uden ledning) værktøj.

1. **ARBEJDSOMRÅDE**
  - a) **Sørg for, at arbejdsområdet er rent og godt oplyst. Rodede arbejdsområder kan forårsage personskade.**
  - b) **Anvend ikke elværktøj i eksplosive atmosfærer, f.eks. i nærheden af brændbare væsker, gasser eller støv.** Elværktøj frembringer gnister, der kan antænde støv eller dampe.
  - c) **Hold børn og tilskuere på afstand, når elværktøjet bruges.** Hvis du bliver distraheret, kan du miste kontrollen over værktøjet.
2. **ELSIKKERHED**
  - a) **Elværktøjets stik skal svare til stikkontakten. Du må ikke ændre stikket på nogen måde. Brug ikke adapterstik til elværktøj med jordforbindelse.** Hvis du bruger uændrede stik og stikkontakter, der passer til stikkene, mindskes risikoen for elektrisk stød.
  - b) **Undgå at røre ved overflader med jordforbindelse, f.eks. rør, radiatorer, komfurer og køleskabe.** Risikoen for elektrisk stød øges, hvis din krop får jordforbindelse.

- c) **Brug ikke elværktøj i våde eller fugtige omgivelser.** Hvis der trænger vand ind i elværktøjet, øges risikoen for elektrisk stød.
- d) **Undgå at udsætte ledningen for overlast. Bær ikke værktøjet i ledningen, og træk ikke i ledningen, når du tager stikket ud af stikkontakten. Hold ledningen væk fra varme, olie, skarpe kanter og bevægelige dele.** Beskadigede eller filtrerede ledninger øger risikoen for elektrisk stød.
- e) **Brug altid forlængerledninger til udendørs brug, når du anvender værktøjet udendørs.** Risikoen for elektrisk stød mindkes, hvis forlængerledningen er egnet til udendørs brug.
- f) **Hvis det elektriske værktøj anvendes i fugtige omgivelser, skal der ubetinget anvendes en strømforsyning, der er beskyttet mod reststrøm.** Det mindsker risikoen for elektriske stød.

### 3. PERSONLIG SIKKERHED

- a) **Vær opmærksom, hold altid øje med værktøjet, og brug din sunde fornøft ved brug af elværktøjet. Brug ikke elværktøjet, hvis du er træt eller påvirket af narkotika, alkohol eller medicin.** Et øjeblikks koncentrationssvigt ved brug af elværktøj kan medføre alvorlig personskade.
- b) **Brug beskyttelsesudstyr. Brug altid sikkerhedsbriller.** Sikkerhedsudstyr som støvmaske, skridsikre sikkerhedssko, sikkerhedshjelm eller høreværn mindsker risikoen for personskade.
- c) **Undgå at starte utilsigtet. Kontroller, at kontakten står i stillingen OFF, inden udstyret tilsluttes en strømkilde og/eller batteripakke, samles op eller transporteres.** Hvis du bærer elværktøj med fingeren på afbryderen eller sætter stikket i stikkontakten, mens afbryderen er tændt, er der risiko for ulykker.
- d) **Fjern justeringsnøgler og lignende fra elværktøjet, før du tænder det.** Justeringsnøgler, der sidder på elværktøjets roterende dele, kan resultere i personskade.
- e) **Undgå at række for langt. Sørg for at have et godt fodfæste og underlag.** Det giver bedre kontrol over elværktøjet i uventede situationer.
- f) **Vær korrekt påklædt. Undlad at bære løstsiddende tøj eller smykker.** Hold hår, tøj og handsker på afstand af de bevægelige dele. Løstsiddende tøj, smykker eller langt hår kan blive fanget af de bevægelige dele.
- g) **Hvis værktøjet leveres med støvpose og adapter til støvudsugning, skal du kontrollere, at delene er tilsluttet korrekt.** Disse enheder mindsker risikoen for skader på grund af støv.

### 4. BRUG OG VEDLIGEHOLDELSE AF ELVÆRKTØJ

- a) **Undlad at presse elværktøjet. Brug det korrekte elværktøj til opgaven.** Du opnår en bedre og mere sikker drift, hvis du anvender det korrekte elværktøj ved den anbefalede hastighed.
- b) **Undlad at bruge elværktøjet, hvis afbryderen ikke slår værktøjet til og fra.** Elværktøj, der ikke kan kontrolleres ved hjælp af afbryderen, er farligt og skal repareres.
- c) **Træk stikket på værktøjet ud fra strømkilden og/eller batteripakken, inden der foretages justeringer, udskitning af dele eller opbevaring af værktøjet.** Disse forholdsregler mindsker risikoen for utilsigtet start af elværktøjet.
- d) **Opbevar elværktøj utilgængelig for børn, og lad aldrig personer, der ikke er fortrolige med elværktøjet eller disse anvisninger, bruge elværktøjet.** Elværktøj er farligt, hvis det bruges forkert.
- e) **Vedligehold elværktøjet. Kontrollér, om de bevægelige dele er korrekt justeret eller går tungt, om dele er gået i stykker og enhver anden tilstand, som kan påvirke elværktøjets funktion. Hvis elværktøjet er beskadiget, skal det repareres inden brug.** Mange ulykker forårsages af dårligt vedligeholdt elværktøj.
- f) **Hold værktøjet skarpt og rent.** Korrekt vedligeholdt elværktøj med skarpe klinger sætter sig ikke fast og er nemmere at kontrollere.
- g) **Brug elværktøjet, tilbehøret og eventuelle bits i henhold til disse anvisninger og på en passende måde for den pågældende type elværktøj. Tag altid højde for arbejdsomgivelserne og den forhåndenværende opgave.** Hvis elværktøjet bruges til andre opgaver end den, det er beregnet til, kan det medføre farlige situationer.

### 5. SERVICE

- a) **Service på elværktøjet skal udføres af en autoriseret reparatør ved hjælp af originale reservedele.** Dette sikrer, at elværktøjet er sikkert at bruge.

## YDERLIGERE SIKKERHEDSPUNKTER FOR DIN VINKELSLIBER

Sikkerhedsadvarsler fælles for slibe- skæreoperationer:

- a) **Dette elværktøj er beregnet til at fungere som slibemaskine, eller afkorter. Læs alle de sikkerhedsadvarsler, sikkerhedsforskrifter, illustrationer og specifikationer, der følger**

- med elværktøjet. Følges alle nedenstående anvisninger ikke, kan det resultere i elektrisk stød, brand og/eller alvorlig personskade.
- b) Det anbefales ikke at foretage stålborstning, og polering med denne værktøjsmaskine.** Udførelse af handlinger, som denne værktøjsmaskine ikke er konstrueret til, kan medføre fare og personskade.
- c) Brug ikke tilbehør, der ikke er specifikt konstrueret eller anbefalet af værktøjsfabrikanten.** At tilbehøret kan monteres på din værktøjsmaskine betyder ikke automatisk sikker arbejdsudførelse.
- d) Tilbehørets mærkehastighed skal mindst svare til værktøjsmaskinens maksimumhastighed.** Tilbehør, der kører hurtigere end deres mærkehastighed, kan gå i stykker.
- e) Tilbehørets udvendige diameter og tykkelse skal ligge inden for værktøjsmaskinens kapacitet.** Tilbehør, der har den forkerte størrelse, kan ikke afskærmes og styres korrekt.
- f) Montering af tilbehør med gevind skal passe til sliberens gevindspindel. For tilbehør, der monteres med flanger, skal tilbehørets akselhul passe til flangens styrende diameter.** Tilbehør, der ikke passer til elværktøjets monteringsdele, vil være ud af balance, vibrere overdrevent og kan forårsage tab af kontrol.
- g) Brug ikke beskadiget tilbehør. Inden hver anvendelse skal du tjekke tilbehør såsom slibeskiver for skærespåner, og revner og støttepudder for revner og slitage. Hvis værktøjsmaskinen eller tilbehøret tabes, skal begge dele undersøges for skader og beskadiget tilbehør udskiftes. Når du har inspiceret og installeret tilbehør, skal du anbringe dig selv og andre tilstedeværende væk fra det roterende tilbehør og køre værktøjsmaskinen med maksimal, ubelastet hastighed i ét minut. Beskadiget tilbehør går normalt i stykker under denne test.**
- h) Brug personligt beskyttelsesudstyr. Afhængigt af arbejdsform, skal du benytte ansigtsskærm og sikkerhedsbriller. Om nødvendigt skal du anvende støvmaske, ørebeskyttere, handsker og forklæde, der kan standse små slibe- eller andre partikler.** Øjenbeskyttelsen skal kunne beskytte mod flyvende partikler fra forskellige arbejdsoperationer. Støvmasken skal kunne filtrere partikler hidrørende fra arbejdsoperationen. Lang tids udsættelse for kraftig støj kan forårsage tab af hørelse.
- i) Hold tilstedeværende på sikker afstand af arbejdsområdet. Alle, der kommer ind på arbejdsområdet, skal være iført personligt sikkerhedsudstyr.** Flyvende partikler fra arbejdsmateriale eller tilbehør, der er gået i stykker, kan forårsage personskade uden for selve arbejdsområdet.
- j) Brug kun isolerede håndtag, når der udføres en arbejds handling, hvor skæredstyret kan komme i kontakt med skjult ledningsføring eller dets egen ledning.** Hvis værktøjet rammer en strømførende ledning, bliver dets elektriske dele også strømførende, hvilket kan give brugeren elektrisk stød.
- k) Hold ledningen fri af det roterende udstyr.** Hvis du mister kontrollen, kan ledningen blive skåret over eller flænset, eller din hånd og arm kan blive trukket ind i det roterende udstyr.
- l) Læg aldrig værktøjsmaskinen fra dig, før tilbehøret er helt stoppet.** Det roterende tilbehør kan gribe fat i overfladen og hvide værktøjsmaskinen ud af din kontrol.
- m) Lad ikke værktøjsmaskinen arbejde, mens du bærer den ved siden af dig.** Kontakt med det roterende tilbehør kan gribe fat i dit tøj og trække tilbehøret ind mod din krop.
- n) Rengør jævnligt værktøjsmaskinens ventilationsåbninger.** Motorens blæser trækker støv ind i huset og for megen ophobning af metalstøv kan skabe elektriske farer
- o) Anvend ikke værktøjsmaskinen nær brandfarlige materialer.** Gnister kan antænde disse materialer.
- p) Brug ikke tilbehør, der anvender kølevæske.** Vand og andre væskeformige kølemidler kan forårsage død ved elektrisk stød eller chok
- q) Hold på håndtaget, når du arbejder.** Brug altid ekstrahåndtagene, der følger med redskabet. Du kan komme til skade, hvis du mister kontrollen.

## YDERLIGERE SIKKERHEDS-FORSKRIFTER VED AL BETJENING

### Kickback (tilbageslag) og lignende advarsler

"Kickback" er en pludselig reaktion fra en eller et fastsiddende/fastlåst ("pinched"/"snagged") roterende skive, pud, børste eller andet tilbehør. "Pinching" og "snagging" forårsager hurtig stalling af det roterende tilbehør, som så igen tvinger den ukontrollerbare værktøjsmaskine i modsat retning af tilbehørets rotation ved bindepunktet.

Hvis f.eks. en slibeskive sidder fast i arbejdsmaterialet, vil kanten af skiven grave sig fast i materialets overflade og få skiven til slå tilbage. Skiven vil enten springe mod eller væk fra operatøren, afhængigt af skivens drejretning ved fastlåsningsstedet. I sådanne situationer kan slibeskiver også brække.

Kickback skyldes forkert brug af værktøjsmaskinen og/eller forkerte arbejdsprocedurer og -forhold. Kickback kan undgås ved at følge nedenstående sikkerhedsanvisninger:

### a) Hold godt fast på værktøjsmaskinen og

**anbring din krop og arm på en sådan måde, at du kan modstå tilbageslagskræfter. Brug altid det ekstra håndtag (hvis leveret) til at opnå maksimal kontrol over kickback eller reaktionskraft ved opstart.** Operatøren kan kontrollere reaktions- og kickback-kræfter, hvis de nødvendige forholdsregler træffes.

- b) Lad aldrig din hånd komme nær det roterende tilbehør.** Tilbehøret kan kickback over din hånd.
- c) Anbring ikke din krop inden for det område, hvor værktøjsmaskinen vil bevæge sig, hvis kickback opstår.** Kickback vil sende værktøjet i modsat retning af skivens bevægelse på stedet, hvor det sidder fast.
- d) Vær især forsigtig, når du arbejder med hjørner, skarpe kanter osv. Undgå, at tilbehøret slår tilbage eller sidder fast.** Hjørner, skarpe kanter osv har en tendens til at gribe fat i det roterende tilbehør med efterfølgende tab af kontrol eller kickback.
- e) Monter ikke en savkæde med svær til træskærearbejde eller en savklinge.** Den slags klinger giver ofte tilbageslag, hvorved kontrollen over værktøjet mistes.

## YDERLIGERE SIKKERHEDSFORSKRIFTER VED SLIBNING OG AFKORTNING

Særlige sikkerhedsforanstaltninger i forbindelse med slibe- og slibende skæreoperationer:

- a) Brug kun skiver, der er anbefalet til din værktøjsmaskine, og kun den afskærmning, som er beregnet til den valgte skive.** Skiver, som værktøjet ikke er beregnet til, kan ikke afskærmes ordentligt og er derfor farlige.
- b) Slibefladen for de centralt nedtrykte hjul skal monteres under afskærmningens plan.** Et forkert monteret hjul, der rager gennem afskærmningens plan vil ikke være tilstrækkeligt beskyttet.
- c) Afskærmningen skal være sikkert fastgjort til elværktøjet og placeres med maksimal sikkerhed, så et minimum af hjulet er utildækket mod operatøren.** Afskærmningen er med til at beskytte operatøren mod afbrækkede hjulfragmenter og utilsigtet kontakt med hjul og gnister, der kan antænde tøj.
- d) Skiver må kun anvendes til det anbefalede brug. For eksempel: Slib ikke med kanten af en skæreskive.** Slibende skæreskiver er beregnet til periferisk slibning. Sidekræfter kan få dem til at gå i stykker.
- e) Brug altid ubeskadigede skivemuffer i korrekt størrelse og form i relation til den**

**valgte skive.** Korrekte skivemuffer understøtter skiven og reducerer således muligheden for, at skiven knækker. Muffer til skæreskiver kan være anderledes end dem til slibeskiver.

- f) Brug ikke slidte skiver fra større værktøjsmaskiner.** Skiver, beregnet til større værktøjsmaskiner, er ikke beregnet til en mindre maskines højere hastighed og kan derfor sprænge.

## YDERLIGERE SIKKERHEDSFORSKRIFTER VED AFKORTNING

Yderligere sikkerhedsforanstaltninger specielt for slibende skæreoperationer:

- a) "Jam" ikke skæreskiven og udsæt den ikke for for kraftigt tryk. Forsøg ikke for stor skæredybde.** Overbelastning af skiven øger muligheden for forvridning og fastlåsning af skiven samt muligheden for kickback og for, at skiven knækker.
- b) Anbring ikke dig selv på linje med eller bag den roterende skive.** Når skiven på arbejdsstedet bevæger sig væk fra dig, kan et muligt kickback sende den roterende skive og værktøjsmaskinen direkte mod dig.
- c) Hvis en skive sidder fast, eller hvis skæringen af en eller anden grund afbrydes, skal du slukke for værktøjsmaskinen og holde den stille, indtil skiven er helt stoppet. Forsøg aldrig at fjerne skæreskiven fra skæret, mens skiven bevæger sig, idet der på den måde kan opstå kickback.** Undersøg og træf forholdsregler for at eliminere årsagen til, at skiven kørte fast.
- d) Genstart ikke skæreprocessen i selve arbejdsstykket. Får først skiven op på fuld omdrejning. Herefter kan du forsigtigt bevæge dig ind i skæringen igen.** Hvis værktøjsmaskinen genstartes i selve arbejdsstykket, kan skiven binde, arbejde sig ud eller kickback.
- e) Understøt paneler eller arbejdsstykker i overstørrelse for at minimere risikoen for, at skiven sætter sig fast eller for kickback.** Store arbejdsstykker har en tendens til at synke under deres egen vægt. Støtter skal anbringes under arbejdsstykket, nær skærelinjen og nær kanten af arbejdsstykket på begge sider af skiven.
- f) Vær især forsigtig, når du udfører en "lommeudskæring" i vægge eller i andre blinde områder.** Skiven kan komme til at skære i gas- eller vandledninger, i el-ledninger eller i ting, som kan forårsage kickback.

# YDERLIGERE SIKKERHEDSREGLER FOR VINKELSLIBEREN



**ADVARSEL:** Sørg for at håndtaget er i låst position, før du starter vinkelsliberen. Det er kun tilladt at dreje håndtaget, når maskinen er slukket.

## SYMBOLER

	For at undgå risikoen for personskader skal brugeren læse brugervejledningen
	Isolationsklasse
	Advarsel
	Bær høreværn
	Bær øjenværn
	Bær støvmaske
	Bær beskyttelseshandsker
	Vær sikker på, at værktøjet er frakoblet før skift af tilbehør
	Lås
	Lås op
	Affald af elektriske produkter må ikke bortskaffes sammen med husholdningsaffald. Indlever så vidt muligt produktet til genbrug. Kontakt de lokale myndigheder eller forhandleren, hvis du er i tvivl

## 2. AGGREGATELEMENTER

1. HJÆLPEHÅNDTAG
2. BAGERSTE HÅNDTAG
3. TÆND / SLUK KONTAKT
4. LÅS-SLUK KNAK
5. BØRSTEDÆKSEL
6. SLIBESKIVEBESKYTTER
7. SKIVER \*
8. SPINDELLÅS
9. SKRUENØGLE
10. INDRE FLANGE
11. YDRE FLANGE
12. HJULBESKYTTELSE TIL SKÆRING
13. BESKYTTELSESSPÆNDEARM

\* Illustreret eller beskrevet tilbehør er kun delvis indeholdt i leverancen.

## 3. TEKNISK DATA

Type **WX709 WX709.X (700-749 - udpegning af maskiner, repræsentant for Vinkelsliber )**

	WX709 WX709.X **
Spænding	230-240 V~50 Hz
Strømindgang	2350 W
Indlæsningshastighed	6500 /min
Diskstørrelse	230 mm
Borede disken	22.2 mm
Spindeltråd	M14
Diameter på slibehjul	230 mm
Maks. Slibehjuls tykkelse	6 mm
Beskyttelsesklasse	
Maskinens vægt	5.7 kg

\*\* X = 1-999, A-Z, M1-M9 er kun til forskellige kunder, der er ingen sikkerhedsrelaterede ændringer mellem disse modeller

Det anbefales, at alt udstyr købes i samme butik som maskinen. Se på emballagen til tilbehøret for at få yderligere oplysninger. Få hjælp og råd i butikken.

## STØJINFORMATION

A-vægtet lydtryksniveau  $L_{PA}$ : 96 dB(A)

A-vægtet lydeffektniveau  $L_{WA}$ : 107 dB(A)

$K_{PA}$  &  $K_{WA}$  3.0dB(A)

Bær høreværn 

## VIBRATION INFORMATION

Den totale værdi for vibration målt ifølge EN60745:

Overfladeslibning	Værdi for vibration : $a_{HAG} = 8.4 \text{ m/s}^2$ Usikkerhed $K = 1.5 \text{ m/s}^2$
-------------------	---

- Den deklarerede samlede vibrationsværdi er målt ifølge standard testmetoder og kan bruges til at sammenligne et værktøj med et andet.

- Den angivne samlede vibrationsværdi og den deklarerede støjemissionsværdi kan også bruges til den første vurdering af eksponeringen.



**ADVARSEL:** Vibrationsudledningsværdien under brugen af elværktøjet kan variere fra den erklærede værdi, afhængig af måderne værktøjet bruges og afhængig af de følgende eksempler og andre variationer, hvormed værktøjet bruges: Hvordan værktøjet bruges og de materialer der skal skæres.

At værktøjet er i god stand og godt vedligeholdt. Brugen af det korrekte tilbehør til værktøjet og sikkerhed for at det er skarpt og i god stand. Stramheden af grebet på håndtaget og om der bruges nogen anti-vibrationsenheder. Og værktøjet bruges som det er tiltænkt i forhold til design og disse instruktioner.

**Dette værktøj kan forårsage hånd-arm vibrationssyndrom, hvis brugen af det ikke er tilstrækkeligt håndteret.**



**ADVARSEL:** For at være præcis bør et estimat af eksponeringsniveau i det aktuelle forhold altid tages i betragtning for alle dele af driftscyklussen, f.eks. de tidspunkter hvor apparatet er slukket og når det kører i tomgang, men ikke nødvendigvis er i brug. Dette kan reducere eksponeringsniveauet betydeligt over hele arbejdsperioden. Hjælper med at minimere din risiko for vibrationseksponering.

Vedligehold værktøjet i forhold til disse instruktioner og hold den velsmurt (hvor det er nødvendigt) Hvis værktøjet skal bruges ofte, bør du investere i anti-vibrationsenheder.

Planlæg dit arbejdsprogram for at sprede brugen af højvibrationsværktøjer ud over flere dage.

## 4. BEREGNET ANVENDELSESOMRÅDE

Maskinen er beregnet til at gennemskære, skrubbe og børste metal- og stenmaterialer uden brug af vand. Før kapning af metall ska ett speciellt sprängskydd (tillbehör) användas.

## 5. BETJENINGSVEJLEDNING




**Noter:** Før du bruger dette værktøj, læs instruktionsbogen omhyggeligt.

### MONTERING OG DRIFT

HANDLING	FIGUR
<b>MONTAGE</b>	
Montering af sidehåndtaget	Se Fig. A
Samling af afskærings-/slibeskiven	Se Fig. B1,B2,B3
Styrejustering	
<b>BEMÆRK: Beskyttelsesskærmen skal være monteret, når der arbejdes med skrub- eller skæreskiver. Anvend korrekt skive til opgaven. Hvis værktøjet skal udføre skæreegaver, skal det specifikke dæksel hertil monteres.</b>	
Koden for beskyttelsesskærm på beskyttelsesskærmen sikrer, at maskinen kun kan forsynes med en beskyttelsesskærm, som passer til maskinen.	
Åben spændearmen. Anbring beskyttelsesskærmen med koden for beskyttelsesskærm i kodenoten på spindelhalsen og drej den i den ønskede position (arbejdsposition). Beskyttelsesskærmen klemmes fast ved at lukke spændearmen.	
<b>Den lukkede side på beskyttelsesskærmen skal altid vende hen imod brugeren.</b>	
<b>BEMÆRK:</b> Når klemmehåndtaget er åbent, kan klemmejusteringskrue justeres for at sikre at skærmen er ordentligt klemt fast efter klemmehåndtaget er lukket.	
	Se Fig. C



BRUG	
Betjening af tænd/sluk kontakt	Se Fig. D
Gribeflader	Se Fig. E
Skrubslibning  <b>ADVARSEL!</b> Benyt aldrig skæreskiver til skrubning.	
Skæring	Se Fig. F
For at bruge roteringshåndtaget	Se Fig. G
At udskifte børsten	Se Fig. H

## ARBEJDSTIPS FOR DIN SLIBEMASKINER

1. Din vinkelsliber kan bruges til både at skære gennem metaller, f.eks. til at fjerne skruehoveder og også til rengøring/forberedelse af overflader f.eks. før og efter svejsning.
2. Forskellige typer af hjul/skær giver sliberen mulighed for at opfylde forskellige behov. Hjul/skær vil typisk være tilgængelige for blødt stål, rustfrit stål, sten og mursten. Diamant-impregnerede skiver er tilgængelige til meget hårde materialer.
3. Hvis sliberen bruges på bløde metaller, som aluminium, vil hjulet hurtigt stoppe til og skal skiftes.
4. Lad til hver en tid sliberen gøre arbejdet, du må ikke bruge overdreven kraft på hjulet/skiven.
5. Hvis skæring af en rille sikrer at sliberen holdes lige med rillen, kan drejning af skæret forårsage at skiven splintrer. Hvis du kun skærer igennem et tyndt materiale, kan yderligere gennemtrængning øge chancen for at ødelægge noget.
6. Hvis du skærer i sten eller mursten, råder vi til at bruge en støvfjerner.

## 6. VEDLIGEHOLDELSE

**Træk stikket ud af stikkontakten, inden der udføres nogen form justering, service eller vedligeholdelse.**

Der er ingen dele, der kan brugerserviceres i dit el-værktøj. Brug aldrig vand eller kemiske rengøringsmidler til rengøring. Må kun rengøres med en tør klud. Opbevares på et tørt sted. Hold motorens ventilationsåbninger rene. Knapperne o.l. skal være rene og frie for støv. Det er helt normalt, at der kan forekomme gnister i ventilationsåbningerne, og det beskadiger ikke redskabets.


Hvis elledningen beskadiges, skal den udskiftes af producenten, dennes servicerepræsentant eller anden kvalificeret fagmand for at undgå, at der opstår farlige situationer.

## 7. FEJLFINDING

Selvom din nye vinkelsliber er meget nem at bruge, kan der opstå problemer. Sker det, bedes du venligst tjekke nedenstående:

1. Hvis en fejl ikke kan rettes, skal du returnere værktøjet til en autoriseret forhandler eller servicemedarbejder til reparation.
2. Hvis slibemaskinen ikke virker, så tjek stikkontakten.
3. Hvis slibeskiven slingrer eller vibrerer, skal du tjekke, at den udvendige flange er spændt. Tjek også, at skiven sidder korrekt på flangepladen.
4. Hvis der er noget tegn på, at skiven er beskadiget, må du ikke bruge den, da den kan splintre. Udskift den med en ny skive. Skil dig af med gamle skiver på korrekt måde.
5. Hvis du arbejder med en aluminiums- eller anden lignende, blød legering, bliver skiven hurtigt belagt og vil ikke virke effektivt.

## 8. MILJØBESKYTTELSE

 Affald af elektriske produkter må ikke bortskaffes sammen med husholdningsaffald. Indlever så vidt muligt produktet til genbrug. Kontakt de lokale myndigheder eller forhandleren, hvis du er i tvivl.

## 9. KONFORMITETSERKLÆRING

We,  
Positec Germany GmbH  
Postfach 32 02 16, 50796 Cologne, Germany

Erklærer herved, at produktet  
Beskrivelse **Worx Vinkelsliber**  
Type **WX709 WX709.X (700-749 - udpegning af maskiner, repræsentant for Vinkelsliber)**  
Funktion **periferisk og sideværts malning**

Er i overensstemmelse med følgende direktiver:  
**2006/42/EC,**  
**2011/65/EU&(EU)2015/863,**  
**2014/30/EU**

Standarder i overensstemmelse med:  
**EN 55014-1, EN 55014-2,**  
**EN IEC 61000-3-2, EN 61000-3-3,**  
**EN 60745-1, EN 60745-2-3**

Personen, autoriseret til at udarbejde den tekniske fil,  
**Navn Marcel Filz**  
**Adresse Positec Germany GmbH**  
**Postfach 32 02 16, 50796 Cologne, Germany**

## INNHOLDFORTEGNELSE

1. SIKKERHETSINSTRUKSJONER
2. APPARATELEMENTER
3. TEKNISKE DATA
4. FORMÅLSMESSIG BRUK
5. FREMGANGSMÅTE FOR LADNING
6. VEDLIKEHOLD
7. FEILSØKING
8. MILJØVERNILTAK
9. SAMSVARERKLÆRING

### 1. SIKKERHETSINSTRUKSJONER GENERELLE SIKKERHETS- ADVARSLER FOR ELEKTROVERKTØY

 **ADVARSEL! Les alle instruksjoner.** Hvis du unnlater å følge instruksjonene under, kan det resultere i elektrisk støt, brann og/eller alvorlig skade.

**Ta vare på alle advarsler og veiledninger for fremtidig referanse.**

Uttrykket "elektrisk verktøy" i alle advarslene som er listet opp viser til verktøyet ditt som er koblet til strømforsyningen (med ledning) eller batteriverktøy (uten ledning).

1. **ARBEIDSMRÅDE**
  - a) **Hold arbeidsområdet ryddig og opplyst. Overfylte og mørke områder inviterer til ulykker.**
  - b) **Ikke bruk det elektriske verktøyet i eksplosiv atmosfære, slik som i nærheten av brennbare væsker, gasser eller støv.** Elektrisk verktøy lager gnister, noe som kan antenne støv eller damp.
  - c) **Hold barn og de omkringstående unna når du bruker det elektriske verktøyet.** Distrahering kan forårsake at du mister kontrollen.
2. **ELEKTRISK SIKKERHET**
  - a) **Støpselet til verktøyet må passe til uttaket. Forandre aldri støpselet på noen måte. Ikke bruk adapterplugger i forbindelse med jordet elektrisk verktøy.** Uendrede støpsel og passende uttak vil redusere risikoen for elektrisk støt.
  - b) **Unngå kroppskontakt med jordet overflater slike som rør, radiatorer, komfyrer og kjøleskap.** Det er en økt risiko for elektrisk støt hvis kroppen din er jordet..
  - c) **Ikke utsett det elektriske verktøyet for regn**



2021/10/15  
Allen Ding  
Vicechef, Ingeniør, Test & Certificering  
Positec Technology (China) Co., Ltd  
18, Dongwang Road, Suzhou Industrial  
Park, Jiangsu 215123, P. R. China

**eller våte omstendigheter.** Tilførsel av vann i et elektrisk verktøy, øker risikoen for elektrisk støt.

- d) Ikke påfør ledningen skade. Bruk aldri ledningen til å bære, trekke eller ta ut støpselet til det elektriske verktøyet. Hold ledningen unna varme, skarpe kanter eller bevegelige deler.** Skadede eller sammenfiltrede ledninger øker risikoen for elektrisk støt.
- e) Når du bruker et elektrisk verktøy utendørs, bruk en skjoteledning som er beregnet for utendørsbruk.** Ved å bruke en skjoteledning som er beregnet for utendørs bruk, reduserer du risikoen for elektrisk støt.
- f) Når man håndterer et elektrisk verktøy i fuktige omgivelser, bør man bruke en strømforsyning som er utstyrt med en spenningsavledende mekanisme (RCD).** Ved å bruke RCD unngår man elektriske støt.

### 3. PERSONLIG SIKKERHET

- a) Vær årvåken, følg med på hva du gjør og bruk sunn fornuft når du behandler et elektrisk verktøy. Ikke bruk et elektrisk verktøy når du er trett eller påvirket av narkotika, alkohol eller medisiner.** Et øyeblikk av uoppmerksomhet når du bruker det elektriske verktøyet kan resultere i alvorlig personskade.
- b) Bruk sikkerhetsutstyr. Bruk alltid vernebriller.** Sikkerhetsutstyr som støvmaske, sklisikre vernesko, hjelm eller hørselsvern brukt i passende sammenhenger vil redusere personskader.
- c) Unngå utilsiktet oppstart. Se til at bryteren står i avslått stilling før du kobler til strømkilden og/eller batteripakken, eller før du tar opp eller bærer verktøyet.** Det å bære verktøyet med fingeren på bryteren eller sette i støpselet til et elektrisk verktøy som står på, inviterer til ulykker.
- d) Fjern alle justeringsnøkler eller skrunøkler før du slår på det elektriske verktøyet.** En skrunøkkel eller en annen nøkkel som er festet til det elektriske verktøyet kan resultere i personskade.
- e) Ikke strekk deg over. Ha godt fotfeste og balanse hele tiden.** Dette muliggjør bedre kontroll over det elektriske verktøyet i uventede situasjoner.
- f) Kle deg skikkelig. Ikke bruk løstsittende klær eller smykker.** Hold håret, klærne og hanskevekk fra bevegelige deler. Løse klær, smykker eller langt hår kan bli fanget i bevegelige deler.
- g) Hvis utstyret er utstyrt for tilkobling med støvutblåsing og innsamlingsfasiliteter, sikre deg at disse er tilkoblet og forsvarlig brukte.** Ved bruk av dette utstyret kan du redusere støvrelaterte skader.

### 4. ELEKTRISK VERKTØY, BRUK OG VEDLIKEHOLD

- a) Ikke bruk makt på det elektriske verktøyet. Bruk det riktige elektriske verktøyet til din anvendelse.** Det riktige elektriske verktøyet vil gjøre jobben bedre og sikrere når det blir brukt til det, det er beregnet for.
- b) Ikke bruk det elektriske verktøyet hvis bryteren ikke slår på og av.** Ett hvert elektrisk verktøy som ikke kan bli kontrollert med bryteren, er farlig og må repareres.
- c) Ta ut støpselet fra strømkilden og/eller batteripakken fra det elektriske verktøyet før du gjør noen justeringer, endrer noe tilleggsutstyr eller lagrer elektriske apparater.** Slike forebyggende sikkerhetstiltak reduserer risikoen for å starte det elektriske verktøyet ved et uhell.
- d) Lagre elektrisk verktøy som ikke er i bruk, utenfor barns rekkevidde, og ikke tillat personer som er ukjent med disse instruksjonene å bruke det.** Elektrisk verktøy er farlig i hendene på utrenede brukere.
- e) Vedlikehold elektrisk verktøy. Sjekk for feiljusteringer eller binding av bevegelige deler, brekkasje av deler og eventuelle andre forhold som kan påvirke verktøyets operasjoner. Hvis skade, få verktøyet reparert før bruk.** Mange ulykker er forårsaket av dårlig vedlikeholdt, elektrisk verktøy.
- f) Hold skjæreverktøy skarpe og rene.** Godt vedlikeholdte skjæreverktøy med skarpe egger er mindre tilbøyelig for å knipe og er lettere å kontrollere.
- g) Bruk det elektriske verktøyet, rekvisitter og verktøydeler etc., i henhold til disse instruksene og måten som er tilsiktet det spesielle verktøyet, i henhold til arbeidsforholdene og arbeidet som skal utføres.** Bruk av det elektriske verktøyet til operasjoner det ikke er beregnet for, kan resultere i farlige situasjoner.

### 5. SERVICE

- a) Sørg for at det elektriske verktøyet får service av en kvalifisert reparatør som bare benytter originale reservedeler.** Dette vil sikre at sikkerheten til verktøyet blir ivarettatt.

## YTTERLIGERE SIKKERHETSPUNKTER FOR DIN VINKELSLIPER

Sikkerhetsadvarsler som er vanlige for slipe- eller kappesaksfunksjoner:

- a) Dette kraftverktøyet er tiltenkt for å fungere som en polerings- eller kappingsverktøy. Les alle sikkerhetsadvarslene, instruksjonene,**

**illustrasjonene og spesifikasjonene gitt med dette kraftverktøyet.** Hvis du ikke følger alle instruksjoner som står listet under kan dette føre til elektrisk sjokk, brann og/eller alvorlig skade.

- b) Operasjoner som stålborsting, polering, eller pussing er ikke anbefalt med dette verktøyet. Operasjoner som verktøyet ikke ble designet for kan utgjøre en fare og forårsake alvorlig personskade.
- c) **Ikke bruk tilbehør som ikke er spesielt designet og anbefalt av verktøyfabrikanten.** Bare fordi tilbehøret kan festes til verktøyet ditt, forsikrer det ikke trygg operasjon.
- d) **Den rangerte hastigheten på tilbehøret må være minst lik maksimal hastighet som er markert på verktøyet.** Tilbehør som kjører fortere enn deres rangerte hastighet kan gå fra hverandre.
- e) **Utvendige mål og tykkelse på tilbehøret må være innenfor kapasiteten som er rangert på verktøyet.** Tilbehør av ukorrekt størrelse kan ikke tilstrekkelig voktes eller kontrolleres.
- f) **Gjenger på montert tilbehør må stemme med gjengene på slipemaskinens spindul. For tilbehør montert med flenser må dorhullet på tilbehøret passé til styrediameteren på flensen.** Tilbehør som ikke passer til verktøyet vil være ute av balance og vibrere kraftig, og kan føre til tap av kontroll.
- g) **Ikke bruk et skadet tilbehør. Før hver bruk bør du inspisere verktøyet som slipende hjul for hakk og sprekker, støtteputer for sprekker, slitasje eller overdreven slitasje. Hvis verktøyet eller tilbehøret blir sluppet i bakken, sjekk for skade eller monter et uskadet tilbehør. Etter inspeksjon og montering av et tilbehør, må du og tilskuere stå unna det roterende verktøyet og kjøre verktøyet på maksimal ingen belastning for ett minutt.** Skadet tilbehør vil naturlig bryte av under denne testperioden.
- h) **Bruk verneutstyr. Avhengig av bruksområdet, bruk ansiktsskjold, vernebriller eller sikkerhetsbriller. Etter behov, bruk støvmaske, hørselsvern, hansker og butikkforkle som kan stoppe små slipe- eller arbeidsstykkedeler.**
- i) **Hold tilskuere på trygg avstand fra arbeidsområdet. Enhver person som går inn i arbeidsområdet må bruke personlig verneutstyr.** Deler av arbeidsstykket eller et ødelagt tilbehør kan fly vekk og forårsake skade utenfor det umiddelbare operasjonsområdet.
- j) **Hold verktøyet kun etter isolerte gripeoverflater, når du utfører en operasjon hvor kuttetilbehøret kan komme i kontakt med skulte ledninger eller sin egen ledning.** Kuttetilbehør som kommer i kontakt med en strømførende ledning kan gjøre eksponerte

metalldele av verktøyet strømførende, og gi operatøren et elektrisk støt.

- k) **Plasser ledningen borte fra det spinnende tilbehøret.** Hvis du mister kontroll, kan ledningen bli kuttet og hånden eller armen din kan bli trukket inn i det spinnende tilbehøret.
- l) **Aldri legg verktøyet ned før tilbehøret har fullstendig stoppet.** Det spinnende verktøyet kan gripe overflaten og trekke verktøyet ut av din kontroll.
- m) **Ikke kjør verktøyet mens du holder det ved siden av deg.** Utisiktet kontakt med det spinnende tilbehøret kan huke seg fast i klærne dine og trekke tilbehøret mot kroppen din.
- n) **Foreta regelmessig rengjøring av luftventilene på verktøyet.** Motorens vifte kan trekke støvet inn i verktøyet og overdreven oppsamling av støvmetall kan forårsake elektriske farer.
- o) **Ikke bruk verktøyet nær lettantennelige farer.** Gnister kan tenne disse materialene.
- p) **Ikke bruk tilbehør som krever kjølevæske.** Bruk av vann eller annen kjølevæske kan føre til dødelig elektrosjokk eller elektrisk sjokk.
- q) Du må holde hånden på håndtaket mens du jobber. Bruk alltid ekstrahåndtaket som ble levert med verktøyet. Hvis du mister kontrollen kan det føre til personskader.

## VIDERE SIKKERHETSINSTRUKSJONER FOR ALT ARBEID

### Tilbakeslag og tilknyttede advarsler

Tilbakeslag er en plutselig reaksjon på et sammentrykt eller roterende hjul som setter seg fast, støtteputer, børste eller annet tilbehør. Sammentrykking eller fastsetting forårsaker hurtig stopp på grunn av overbelastning av det roterende tilbehøret som til slutt forårsaker at det ukontrollerte verktøyet blir tvunget i motsatt retningen av tilbehørets rotasjon ved sammentrykkingspunktet.

For eksempel, hvis et slipende hjul blir sammentrykt eller kjørt fast av arbeidsstykket, kan kanten på hjulet som går inn i sammentrykkingspunktet grave seg inn i overflaten på materialet som forårsaker at hjulet kommer ut eller slår ut. Hjulet kan enten hoppe fremover eller bort fra brukeren, avhengig av retningen hjulets bevegelse ved sammentrykkingspunktet. Slipende hjul kan også gå i stykker ved disse forholdene.

Tilbakeslag er resultatet av at verktøyet blir feil brukt og/eller ukorrekte operasjonsfremgangsmåter eller forhold og kan unngås ved å ta korrekte forholdsregler som gitt over.

- a) **Hold et godt grep på verktøyet og plasser kroppen og armen din slik at du kan ta imot kraften til et tilbakeslag. Bruk alltid hjelpehåndtak, hvis tilgjengelig, for**

**maksimal kontroll over tilbakeslag eller dreiekraftreaksjon under oppstart.** Brukeren kan kontrollere dreiekraftreaksjoner eller tilbakeslagkrefter, hvis korrekte forholdsregler blir tatt.

- b) Aldri plasser hånden nær det roterende tilbehøret.** Tilbehør kan gi tilbakeslag over hånden din.
- c) Ikke stå i det området hvor verktøyet vil flytte seg hvis det oppstår et tilbakeslag.** Tilbakeslag vil drive verktøyet i motsatt retning til den retningen hjulet beveger seg ved sammentrykkingspunktet.
- d) Vær spesielt forsiktig når du arbeider på hjørner, skarpe kanter, osv., unngå hopping og sammentrykking av tilbehøret.** Hjørner, skarpe kanter eller hopping har en tendens til å sammentrykke det roterende tilbehøret og kan forårsake tap av kontroll eller tilbakeslag.
- e) Kobl ikke til et kjedesagblad for trearbeid eller et blad for tannsgag.** Slike blad skaper ofte tilbakeslag og tap av kontroll.

## TILLEGGS SIKKERHETSINSTRUKSJONER FOR SLIPING OG KAPPINGS FUNKSJONER

**Sikkerhetsadvarsler spesifikke for sliping og grov avkutting:**

- a) Bruk kun hjul typer som er anbefalt for verktøyet ditt og spesifikke verneinnretninger som er designet for det valgte hjulet.** Hjul som verktøyet ikke var designet for kan ikke tilstrekkelig vernes og er utrygge.
- b) Slipeskiver med forsenket senter/nav ma monteres slik at slipeflaten ikke rager ut over planet til verneakselets kant.** En usakkyndig montert slipeskive som rager ut over verneakselets kant, kan ikke skjermes tilstrekkelig.
- c) Verneinnretningen må være sikkert festet til verktøyet og plassert for maksimal sikkerhet, så minst mulig av hjulet er eksponert mot brukeren.** Verneakselet beskytter betjeningspersonen mot bruddstykker, tilfeldig kontakt med slipeskiven og gnister som kan antenne klar.
- d) Hjul må kun brukes for anbefalte bruksområder. For eksempel: ikke slip med siden av avkuttingshjulet.** Grove avkuttingshjul er ment for ytre sliping, hvis du bruker kraft på siden av disse hjulene kan det føre til at de bryter i stykker.
- e) Alltid bruk uskadede hjulflenser som er av korrekt størrelse og form for det valgte**

**hjulet.** Korrekte hjulflenser støtter hjulet og reduserer dermed muligheten for hjulskade. Flenser for avkuttingshjul kan være forskjellig fra slipehjulflenser.

- f) Ikke bruk slitte hjul fra større verktøy.** Hjul som er ment for større verktøy egner seg ikke for høyere hastighet for et mindre verktøy og kan bryte i stykker.

## TILLEGGS SIKKERHETSINSTRUKSJONER FOR KAPPINGS ARBEID

**Ytterligere sikkerhetsadvarsler spesifikke for grov avkutting:**

- a) Ikke "kjør fast" avkuttingshjulet eller bruk overdreven makt. Ikke prøv å lage et overdrevent dypt kutt.** Overstressing av hjulet øker belastningen og susceptibiliteten til å tviste eller binde hjulet i kuttet og muligheten for tilbakeslag eller hjulskade.
- b) Ikke stå på linje med og bak det roterende hjulet.** Når hjulet, ved brukspunktet, beveger seg bort fra kroppen din, kan mulige tilbakeslag drive det spinvende hjulet fremover og verktøyet rett mot deg.
- c) Når hjulet sliper eller når du avbryter en kutting av hvilken som helst årsak, slå av verktøyet og hold verktøyet uten bevegelse til hjulet stopper fullstendig. Aldri prøv å fjerne avkuttingshjulet fra kuttet mens hjulet er i bevegelse da dette kan forårsake tilbakeslag.** Undersøk og ta korrigerende handling for å utelukke forårsaken for binding av hjulet.
- d) Ikke start kutteoperasjonen på nytt i arbeidsstykket. La hjulet oppnå fullstendig hastighet og gå forsiktig inn i kuttet på nytt.** Hjulet kan binde, gå opp eller få tilbakeslag hvis verktøyet startes på nytt i arbeidsstykket.
- e) Støtt paneler eller andre store arbeidsstykker for å minimere faren for sammentrykking av hjul og tilbakeslag.** Store arbeidsstykker har en tendens til å synke ned under sin egen vekt. Du må plassere støtter under arbeidsstykket nær kuttelinjen og nær kanten av arbeidsstykket på begge sider av hjulet.
- f) Vær ekstra forsiktig når du lager et "lommekutt" i eksisterende vegger eller andre blinde områder.** Hjulet kan kutte gass eller vannrør, elektriske ledninger eller objekter som kan forårsake tilbakeslag.

## YTTERLIGERE SIKKERHETSREGLER FOR VINKELSLIPER



**ADVARSEL:** Kontroller at håndtaket er låst før du starter hjørnekvernen.

Rotasjon av håndtaket er bare tillatt i av-tilstand.

## SYMBOLER

	For å redusere risikoen for personskade, må brukeren lese instruksjonsveiledningen
	Beskyttelsesklasse
	Advarsel
	Bruk hørselsvern
	Bruk vernebriller
	Bruk støvmaske
	Bruk vernehansker
	Før du utfører arbeid på selve maskinen, dra støpset ut av stikkkontakten.
	Lås
	Lås opp
	Avfall etter elektriske produkter må ikke legges sammen med husholdningsavfall. Vennligst resirkuler avfallet der dette finnes. Undersøk hos de lokale myndighetene eller en detaljist for resirkuleringsråd.


## 2. KOMPONENTLISTE

1.	HJELPEHÅNDTAK
2.	BAK HÅNDTAK
3.	PÅ / AV BRYTER
4.	LÅS-AV-KNAPPEN
5.	BØRSTEDEKSEL
6.	HJULBESKYTTELSE FOR SLIPING
7.	SKIVE*
8.	PINDELLÅSKNAPP
9.	SKRIFTNØKKELE
10.	INNSIDEN FLENS
11.	UTSIDEN FLENS
12.	BESKYTTELSESHJUL FOR SKJÆRING
13.	BESKYTTELSES KLEMHÅNDTAKET

\* Illustrert eller beskrevet tilbehør inngår delvis ikke i leveransen.

## 3. TEKNISKE DATA

Type **WX709 WX709.X (700-749 - betegner maskin, anger Vinkelslipestol)**


	WX709 WX709.X**
Spenning	230-240 V~50 Hz
Strøm input	2350 W
Last hastighet	6500 /min
Diskstørrelse	230 mm
Platen ble boret	22.2 mm
Spindeltråd	M14
Diameter sliping hjul	230 mm
Maks. Tykkelse på slipeskiver	6 mm
Beskyttende klasse	 /II
Maskinens vekt	5.7 kg

\*\* X = 1-999, A-Z, M1-M9 er kun for forskjellige kunder, det er ingen sikkerhetsrelaterte endringer mellom disse modellene

Vi anbefaler at du kjøper alt ekstrautstyr fra

butikken der du kjøpte dette verktøyet. Henviser til tilbehørspakningen for videre detaljer. Butikkpersonalet kan også gi hjelp og råd.

## STØYINFORMASJON

Belastning lydtrykk	$L_{DA}$ : 96 dB(A)
Belastning lydeffekt	$L_{WA}$ : 107 dB(A)
$K_{DA}$ & $K_{WA}$	3.0dB(A)
Bruk hørselsvern.	

## VIBRASJONSINFORMASJON

Totale vibrasjonsverdier satt i henhold til EN60745:

overflatesliping	Vibrasjonsutsendingsverdi:
	$a_{h,AG} = 8.4 \text{ m/s}^2$
	Usikkerhet $K = 1.5 \text{ m/s}^2$

- Den rapporterte totale vibrasjonsverdien og den rapporterte støutslippsverdien måles ved hjelp av standardiserte testmetoder og kan brukes til å sammenligne ett verktøy med et annet.
- Den totale vibrasjonsverdien som er angitt, og den rapporterte støutslippsverdien kan også brukes til evaluering av den første eksponeringen.

**ADVARSEL:** Vibrasjonsverdien ved bruk av elektroverktøyet kan avvike fra den rapporterte verdien avhengig av hvordan verktøyet brukes, avhengig av følgende eksempler og andre variasjoner på hvordan verktøyet brukes: Hvordan verktøyet brukes og materialene som er kuttet.

Verktøyet er i god stand og godt vedlikeholdt. Bruk riktig tilbehør til verktøyet og sørg for at det er sterkt og i god stand. Forseglingen av håndtaket på håndtakene og hvis antivibrasjonstilbehøret brukes. Og verktøyet brukes som tiltenkt av sin design og disse instruksjonene.

### Dette verktøyet kan forårsake hånd-arm vibrasjon syndrom hvis ikke brukes

**ADVARSEL:** For å være nøyaktig, bør et estimat av eksponeringsnivået under faktiske driftsforhold også ta hensyn til alle deler av driftssyklusen, da verktøyet timer er av og når det er tomgang, men egentlig ikke fungerer. Dette kan redusere eksponeringsnivået betydelig i den totale arbeidsperioden. Bidrar til å minimere risikoen for eksponering for vibrasjon.

Oppbevar dette verktøyet i henhold til disse instruksjonene og hold godt smurt (hvis noen). Hvis verktøyet skal brukes regelmessig, må du investere i antivibrasjonstilbehør. Plan arbeidsplanen for å spre ut eventuell bruk av det høye vibrasjonsverktøyet i flere dager.

## 4. FORMÅLSMESSIG BRUK

Maskinen er beregnet til kapping, sliping og børsting av metall- og steinmaterialer uten bruk av vann. Til kapping av metall må det brukes et spesielt verneedeksel til kapping (tilbehør).

## 5. BRUKSANVISNING



**Merk:** Les nøye gjennom instruksjonsboka før du bruker verktøyet.

### MONTERING OG BRUK

HANDLING	FIGUR
<b>MONTERING</b>	
Installering av hjelpehåndtak	Se Fig. A
Montering av slipe/skjæreskive	Se Fig. B1,B2,B3
JUSTERING AV HJULVERN <b>MERK: Til arbeid med slipe- eller kuttesskiver må verneedeksel være montert. Bruk riktig type skive for bruken din. Hvis elektroverktøyet er beregnet til å utføre skjæreoperasjoner, må en spesiell beskyttelse for denne operasjonen monteres.</b>	Se Fig. C
<b>Den lukkede siden av verneedeksel må alltid peke mot brukeren.</b> <b>MERK:</b> Når klemhåndtaket er åpen, kan klemmen justeres for å sikre at beskyttelsen er stram etter at klemhåndtaket er endelig lukket.	
<b>BRUK</b>	
På-av bryter	Se Fig. D

Håndtaksområder	Se Fig. E
Grovsliping  <b>ADVARSEL!</b> Bruk aldri en skjæreskive forR grovsliping.	
Kapping	Se Fig. F
For å bruke rotasjonshåndtaket	Se Fig. G
Å erstatte børster	Se Fig. H

## ARBEIDSTIPS FOR DIN SLIPER

1. Dens vinkelsliper er nyttig både for å kutte med metaller og for fjerning av skruehoder, så vel som for rengjøring / fremstilling av overflater, det vil si før og etter sveiseoperasjoner.
2. Ulike typer hjul og kniver gjør at kverna kan dekke forskjellige behov. Generelt er de hjul / utsparingene er tilgjengelige for karbonstål, rustfritt stål, stein og tegl. Diamond impregnert plater er tilgjengelige for svært harde materialer.
3. Det sliper brukes i myke metaller som aluminium, vil skovlhjulet snart tilstoppes og må skiftes.
4. Til enhver tid, la sliper gjøre arbeidet, ikke tvinge, eller bruke for høyt trykk på hjulet / plate.
5. Hvis man skjæring et spor sikrer at skjæreverktøyet holder seg på linje med sporet, kan vridning av skjæreverktøyet føre til at bladet bryter. Hvis skjæring gjennom det tynne arket bare tillater materialet, overdreven penetrasjon kan øke risikoen for å forårsake skade.
6. Hvis du skjæring steinen eller murstein, er det tilrådelig å bruke en støvavtrekk.

## 6. VEDLIKEHOLD

### Ta ut støpelet fra stikkkontakten før du foretar justeringer, service eller vedlikehold.

Det er ingen brukernyttige deler i det elektriske verktøyet. Bruk aldri vann eller kjemiske rensedmidler for å rense verktøyet. Tørk av med en tørr klut. Du må alltid lagre verktøyet på en tørr plass. Hold alltid motorens ventilasjonskanaler rene. Hold alle betjeningskontrollene fri for støv. Hvis du ser gnister i ventilasjonskanalene, er dette normalt og vil ikke skade verktøyet.

Hvis den medfølgende ledningen er beskadiget må den erstattes av produsenten, serviceagenten eller andre kvalifiserte personer for å unngå risiko.

## 7. FEILSØKING


Selv om denne vinkelsliperen er meget enkel i bruk bør du kontrollere følgende hvis det oppstår problemer:

1. Hvis en feil ikke kan korrigeres, returnerer

du verktøyet til en forhandleragent eller reparasjonstekniker.

2. Hvis sliperen ikke virker må du kontrollere om strømmen er på i veggkontakten.
3. Hvis slipehjulet slingrer eller vibrerer må du kontrollere om den ytre kraven er strammet til og at hjulet er riktig plassert på kraven.
4. Hvis du ser noe som viser at hjulet er skadet bør du ikke bruke det. Et skadet hjul kan falle fra hverandre, fjern det og bytt med et nytt hjul. Kast gamle hjul på en fornuftig måte.
5. Hvis du arbeider på aluminium eller en lignende myk legering kan hjulet lett tettes til og slutte å slippe effektivt.

## 8. MILJØVERNILTAK

 Avfall etter elektriske produkter må ikke legges sammen med husholdningsavfall. Vennligst resirkuler avfallet der dette finnes. Undersøk hos de lokale myndighetene eller en detaljist for resirkuleringsråd.

## 9. SAMSVARERKLÆRING

Vi,  
Positec Germany GmbH  
Postfach 32 02 16, 50796 Cologne, Germany

Erklærer at produktet  
Beskrivelse **Worx Vinkelslipestol**  
Type **WX709 WX709.X (700-749 - betegner maskin, anger Vinkelslipestol)**  
Funksjon **perifer og lateral kverning**

Samsvarer med følgende direktiver,  
**2006/42/EC, 2011/65/EU&(EU)2015/863, 2014/30/EU**

Standardene samsvarer med:  
**EN 55014-1, EN 55014-2, EN IEC 61000-3-2, EN 61000-3-3, EN 60745-1, EN 60745-2-3**

Personen som er autorisert til å utarbeide den tekniske filen,

**Navn Marcel Filz**  
**Adresse Positec Germany GmbH**  
**Postfach 32 02 16, 50796 Cologne, Germany**




2021/10/15  
Visesjefsingeniør, Testing og Sertifisering  
Positec Technology (China) Co., Ltd  
18, Dongwang Road, Suzhou Industrial  
Park, Jiangsu 215123, P. R. China



# INNEHÅLLSFÖRTECKNING

1. SÄKERHETSINSTRUKTIONER
2. LADDARENS KOMPONENTER
3. TEKNISK INFORMATION
4. ÄNDAMÅLSENLIG ANVÄNDNING
5. LADDNINGSPROCEDUR
6. UNDERHÅLL
7. FELSÖKNING
8. MILJÖSKYDD
9. DEKLARATION OM ÖVERENSSTÄMMELSE

## 1. SÄKERHETSINSTRUKTIONER GENERELLA SÄKERHETSVARNINGAR FÖR ELVERKTYG



**VARNING!** Läs alla instruktioner. Följs inte alla nedanstående instruktioner kan det leda till elektriska stötar, brand och/eller allvarliga skador.

### Spara alla varningar och instruktioner för framtida bruk.

Termen "strömförande verktyg" i alla varningsmeddelanden nedan avser ditt (sladdverktyg) strömförande verktyg eller batteridrivna (sladdlösa) strömförande verktyg.

#### 1) ARBETSOMRÅDET

- a) Håll arbetsområdet rent och väl upplyst.** Skräpiga och mörka områden är skaderisker.
- b) Använd inte strömförande verktyg i explosiva miljöer, som nära brandfarliga vätskor, gaser eller damm.** Strömförande verktyg skapar gnistor som kan antända damm eller ångor.
- c) Håll barn och iskidare borta när du använder ett strömförande verktyg.** Distractioner kan göra att du förlorar kontrollen.

#### 2) ELSÄKERHET

- a) Stickkontaktarna till verktyget måste matcha eluttaget. Modifiera inte stickkontakten på något sätt.** Använd inte adapterkontakter i samband med jordade strömförande verktyg. Omodifierade stickkontakter och matchande eluttag minskar risken för elstötar.
- b) Undvik kroppskontakt med jordade ytor som rör, klemm, spisar och kylskåp.** Det finns en större risk för elstötar om din kropp är jordad.
- c) Exponera inte strömförande verktyg för regn eller fuktiga förhållanden.** Kommer det in vatten i ett strömförande verktyg ökar det risken för elstötar.
- d) Missbruka inte sladden. Använd aldrig sladden**

**för att bära, dra eller dra ut stickkontakten för det strömförande verktyget.** Håll sladden borta från hetta, olja, skarpa kanter eller rörliga delar. Skadade eller tilltrasslade sladdar ökar risken för elstötar.

- e) När du använder ett strömförande verktyg utomhus använder du en förlängningssladd som lämpar sig för utomhus bruk.** Använder du en sladd för utomhus bruk reducerar du risken för elstötar.
- f) Om det inte går att undvika att driva ett elverktyg i en fuktig lokal, använd då en restströmsskyddad (RCD) strömtillförselanordning.** Användning av en RCD minskar risken för elektriska stötar.

#### 3) PERSONLIG SÄKERHET

- a) Var uppmärksam, håll ögonen på vad du gör och använd sunt förnuft när du använder ett strömförande verktyg.** Använd inte ett strömförande verktyg när du är trött eller påverkad av droger, alkohol eller läkemedel. En kort stund av uppmärksamhet med strömförande verktyg kan resultera i allvarliga personskador.
- b) Använd säker utrustning. Använd alltid skyddsglasögon.** Säkerhetsutrustning som munskydd, halkfria skor, skyddshjälm eller hörselskydd som används när det behövs kommer att reducera personskador.
- c) Förhindra ofrivillig start. Se till att kontakten är i off-läge innan du ansluter till strömkälla och/eller batterienhet, tar upp eller bär med dig verktyget.** Bär du strömförande verktyg med fingret på kontakten eller sätter i stickkontakten i eluttaget när kontakten är i P-läge utgör det en skaderisk.
- d) Ta bort alla skiftnycklar eller skruvnycklar innan du sätter på det strömförande verktyget.** En skift- eller skruvnyckel som lämnas kvar på en roterande del på ett strömförande verktyg kan orsaka personskador.
- e) Sträck dig inte för långt. Bibehåll alltid fotfästet och balansen.** Detta gör att du kan kontrollera verktyget bättre i oväntade situationer.
- f) Klä dig rätt. Använd inte löst sittande kläder eller smycken.** Håll ditt hår, dina kläder och handskar borta från rörliga delar. Lösa kläder, smycket eller långt hår kan snäras in i rörliga delar.
- g) Om det på enheterna finns anslutning för dammsug och dammuppsamling ser du till att de är anslutna och används korrekt.** Använder du dessa anordningar reducerar det dammrelaterade faror.

#### 4) ANVÄNDNING OCH UNDERHÅLL AV STRÖMFÖRANDE VERKTYG

- a) Forcera inte det strömförande verktyget. Använd korrekt verktyg för arbetet.** Det korrekta verktyget kommer att göra jobbet bättre och säkrare med den hastighet den tillverkats för.

- b) Använd inte verktyget om kontakten inte sätter på eller stänger av det.** Alla strömförande verktyg som inte kan kontrolleras med kontakten är farliga och måste repareras.
- c) Koppla från stickkontakten från strömkällan och/eller batterienheten från elverktyget innan du utför några justeringar, ändrar i tillbehören eller magasinerar elverktygen.** Sådana förebyggande säkerhetsåtgärder reducerar risken för att du startar verktyget oavsiktligt.
- d) Förvara verktyget som inte används utom räckhåll för barn och låt inte någon person använda verktyget som inte känner till verktyget eller dessa anvisningar.** Strömförande verktyg är farliga i händerna på utbildade användare.
- e) Utför underhåll på verktygen. Kontrollera inriktningen eller fästet för rörliga delar, defekta delar och alla andra saker som kan påverka användningen av elverktyget.** Om den skadats måste elverktyget repareras före användning. Många olyckor orsakas av felaktigt underhållna elverktyg.
- f) Håll sig verktyget skarpa och rena.** Korrekt underhållna skärverktyg med skarpa egg kommer inte att köra fast lika ofta och är enklare att kontrollera.
- g) Använd elverktyget, tillbehören och verktygsbitsen etc. i enlighet med dessa anvisningar och på det sätt som avsetts för varje typ av elverktyg.** Ha också i åtanke arbetsförhållandena och arbetet som skall utföras. Användare av elverktyg för åtgärder som skiljer sig det avsedda arbetet kan det resultera i riskfyllda situationer.

## 5) UNDERHÅLL

- a) Låt ditt elverktyg underhållas av en kvalificerad reparatör som bara använder äkta reservdelar.** Det kommer att garantera att elverktygets säkerhet bibehålls.

## YTTERLIGARE SÄKERHETSPUNKTER FÖR DIN VINKELSLIP

### VANLIGT FÖREKOMMANDE SÄKERHETSVARNINGAR FÖR PLANSLIPNING ELLER VINKELSLIPNING:

- a) Det här elverktyget är avsett att fungera som en planslipmaskin, eller vinkelslip. Läs alla säkerhetsvarningar, instruktioner, illustrationer och specifikationer som medföljer elverktyget.** Om du inte följer anvisningarna som står listade nedan kan det resultera i elektrisk stöt, brand och/eller allvarlig skada.
- b) Bruk som t ex trådborstning, eller polering rekommenderas inte att utföras med det här**

**verktyget.** Användning som det här verktyget inte utformades för kan vara farligt och orsaka personskador.

- c) Avstå från att använda tillbehör som inte särskilt har utformats och rekommenderats av verktygstillverkaren,** Bara därför att tillbehöret kan fästas på verktyget innebär inte det att det går att använda på ett säkert sätt.
- d) Hastigheten på tillbehöret måste vara minst lika med den maximala hastigheten som star angivet på verktyget,** Tillbehör som går fortare än dess uppskattade hastighet kan gå sönder.
- e) Utesidesdiametern och tjockleken på tillbehöret måste hållas inom kapaciteten för ditt verktyg.** Inkorrekt storlek på tillbehör kan inte övervakas eller kontrolleras på ett riktigt sätt.
- f) Den omkringliggande storleken på hjul, lister, packningar och andra tillbehör måste passa till verktygets spindel.** Tillbehör med omgivande hål som inte matchar monteringshårdvaran till verktyget kommer att tappa balansen, vibrera oerhört och kan orsaka att du tappar kontrollen.
- g) Använd inte ett skadat tillbehör. Innan varje användning ska du kontrollera tillbehöret, som sliphjul efter flisor och sprickor, packningar efter sprickor, slitage eller hög användning. Om verktyget eller något tillbehör tappas ska du kontrollera om det har skadats eller byta ut mot oskadat tillbehör.** Efter kontroll och utbyte av tillbehör ska du placera dig själv och andra deltagare borta från planet med det roterande tillbehöret, och köra verktyget på maximal hastighet utan belastning under en minut. Skadade tillbehör går vanligtvis sönder efter den här testtiden.
- h) Bär skyddsutrustning. Beroende på tillbehör ska du använda ansiktsskydd, säkerhetsglas eller skyddsglasögon. Om det lämpar sig ska du bära dammask, hörselskydd, handskar och förkläde som stoppar små fragment från slip eller arbetsdel. Ögonskydd måste kunna stoppa flygande flisor som kommer från olika sorters användning. Dammasken eller andningsmasken måste kunna filtrera partiklar som kommer från användningen. Långvarig utsättning för högt, intensivt ljud kan orsaka hörselnedsättning.**
- i) Håll betraktare på säkert avstånd från arbetsområdet. Alla som kommer in på arbetsområdet måste bära skyddsutrustning.** Fragment från arbetsdelar eller trasiga tillbehör kan flyga bort och orsaka skada utanför arbetsområdet.
- j) Håll endast verktyget i de isolerade greppytorna. När du utför en handling då det föreligger risk för att skärtilbehör kan komma i kontakt med trådar kan du gömma sladdarna.** Skärtilbehör som kommer i kontakt med en "levande" sladda kan orsaka att exponerade metalldelar till verktyget ger

användaren en stöt.

- k) Placera sladden på annat ställe än det snurrade tillbehöret.** Om du förlorar kontrollen kan sladden skäras av eller nötas, och din kan eller arm kan dras med in i det snurrande tillbehöret.
- l) Lagg aldrig ner verktyget förrän tillbehöret har stannat helt och hållet.** Det snurrande tillbehöret kan ta tag i ytan och dra iväg med verktyget, bortom din kontroll.
- m) Ha inte verktyget på när du bär det vid sidan.** Kontakt som av en olyckshändelse med det snurrande tillbehöret kan riva tag i dina kläder och dra in tillbehöret i din kropp.
- n) Rengör regelbundet verktygets luftventiler.** Motorns fläkt kommer att dra in damm inuti huset och hög ansamling av metallpulver kan orsaka elektrisk fara.
- o) Använd inte verktyget i närheten av brandfarliga material.** Gnistor kan antända de materialen.
- p) Använd inte tillbehör som kräver flytande kylvätska.** Användning av vatten eller annan vätska kan resultera i dödlig elektrisk stöt eller kortslutning.
- q) Din hand måste hålla i handtaget när du arbetar.** Använd alltid hjälphandtaget som medföljer verktyget. Tappad kontroll kan medföra personskador.

## EXTRA SÄKERHETSINSTRUKTIONER FÖR ALL DRIFT

### Kickback och relaterade varningar

Kickback är en plötslig reaktion på ett klämt eller rivet roterande hjul, packning, borste eller annat tillbehör. Nypning eller rivning orsakar snabbt stopp av det roterande tillbehöret som i sin tur orsakar verktyget utom kontroll att tvingas i motsatt riktning från tillbehörets rotation vid bindningspunkten.

T ex, om ett sliphjul rivs eller nyps fast av arbetsdelen kommer kanten på hjulet som går in i tillnypningspunkten att gräva ner u materialets yta och göra så att hjulet klättrar ut eller klickar ut. Hjulet kan antingen hoppa mot eller bort ifrån användaren, beroende på riktningen på hjulets rörelse vid nyppunkten. Sliphjul kan också gå sönder under sådana förhållanden.

Kickback rå resultatet när verktyget inte används som det ska och/eller under inkorrekta användningsförhållanden, och kan undvikas genom att verktyget tas omhand enligt riktlinjerna ovan.

- a) Behåll ett fast grepp om verktyget och placera din kropp och din arm så att du kan hålla emot kickbackkrafter. Använd alltid hjälphandtag om det medföljer för maximal kontroll över kickback eller vridmomentsreaktioner under uppstart.** Användaren kan kontrollera

vridmomentsreaktioner eller kickbackkrafter om ordentliga säkerhetsåtgärder tas.

- b) Placera aldrig din hand i närheten av det roterande tillbehöret.** Tillbehöret kan kicka tillbaka över din hand.
- c) Placera inte din kropp i området där verktyget kan flyttas om kickback inträffar** Kickback kan snurra verktyget i motsatt riktning mot hjulets rörelse vid rivpunkten.
- d) Vidta särskild försiktighet när du arbetar med hörn, vassa kanter etc, och undvik att studsas på och riva i tillbehöret.** Hörn, vassa kanter eller studsar har en tendens att riva i det roterande tillbehöret och kan ge upphov till att kontrollen förloras eller att man får en kickback.
- e) Montera inte en sågkedja, sågblad för träsnideri, eller tandat sågblad.** Sådana blad skapar ofta bakslag och kontrollförlust.

## EXTRA SÄKERHETSINSTRUKTIONER FÖR GROVSLIPNING OCH VINKELSLIPNING

### Säkerhetsföreskrifter särskilt för Malnings- och slipavsägningshandlingar:

- a) Använd bara hjul typer som rekommenderas för ditt verktyg och det särskilda skydd som är utformat för det utvalda hjulet.** Hjul som inte verktyget är utformat för kan inte skyddas på ett lämpligt sätt och är inte säkra.
- b) Skalade slipskivor måste monteras så att skivans slipyta inte skjuter ut över sprangskyddskantens plan.** En felaktigt monterad slipskiva som skjuter ut över sprangskyddets plan kan inte smörjas i tillräcklig grad.
- c) Skyddet måste vara ordentligt fastsatt i verktyget och placerat för maximal säkerhet så att minsta möjliga del av hjulet exponeras mot användaren.** Sprangskyddet ska skydda användaren mot brottstycken, tillfällig kontakt med slipkroppen samt gnistor som kan antända kläderna.
- d) Hjul får endast användas för rekommenderade applikationer.** T ex: slipa inte med sidan på avsägningshjul Slipande avsägningshjul är avsedda för kringslipning, sidokrafter som tillämpas på de här hjulen kan orsaka att de går sönder.
- e) Använd alltid oskada hjulluster i korrekt storlek och form för det hjul du använder.** Riktiga hjulluster stödjer hjulet som minskar på så vis risken att hjulet går sönder Lister för avsägningshjul kan se annorlunda ut från sliphjulslistor.
- f) Använd inte nedslitna hjul från större verktyg.**


Hjul som är avsedda för större verktyg passar inte för den högre hastigheten hos mindre verktyg och kan brista.

## EXTRA SÄKERHETSINSTRUKTIONER FÖR VINKELSLIPNING

Ytterligare säkerhetsföreskrifter särskilt för  
Slipavsågninshantering:

- a) **Kila inte fast avsågningshjulet eller tillämpa högt tryck. Försök inte att utföra en överdrivet djupt jack.** För högt tryck på hjulet ökar belastningen och risken med att vrida eller surra hjulet i avsågningen och risken för kickback eller att hjulet går sönder.
- b) **Placera inte din kropp i linje med och bakom det roterande hjulet.** När hjulet, i användningsögonblicket, flyttas bort från din kropp kan risk för kickback rikta det snurrande hjulet och verktyget direkt mot dig.
- c) **När hjulet surras eller om en avsågning avbryts av någon anledning ska du stänga av verktyget och hålla verktyget stilla tills dess att hjulet har stannat helt och hållet.** Försök aldrig att ta bort avsågningshjulet från sågjacket när hjulet är i rörelse, då kickback kan inträffa. Undersök och vidta åtgärder för att minska orsaken till att hjulet surras.
- d) **Starta inte om avsågningsprocessen i arbetsdelen.** Låt hjulet nå full hastighet och placera tillbaka sågen försiktigt. Hjulet kan surras, gå upp eller kicka tillbaka om verktyget startas om inne i arbetsdelen.
- e) **Stödpaneler eller andra överdimensionerade arbetsdelar minskar risken för att hjulet ska nypas fast eller kickas tillbaka.** Stora arbetsdelar tenderar att böja sig under sin egen vikt. Stöd måste placeras under arbetsdelen i närheten av skärlinjen och i närheten av kanten på arbetsdelen, på båda sidor om hjulet.
- f) **Vidta största försiktighet när du gör ett "ficksågning" i existerande väggar eller andra blinda områden.** Det utskjutande hjulet kan skära av gas- eller vatteledning, elektriska sladdar eller objekt som orsakar kickback.

## EXTRA SÄKERHETSREGLER FÖR VINKELSLIPEN

 **WARNING:** Se till att handtaget är i låst position innan du startar vinkelslipen. Det är tillåtet att rotera handtaget endast i avstängt läge.

## SYMBOLER

	För att minska risken för skador måste användaren läsa bruksanvisningen
	Skyddsklass
	Varning
	Använd hörselskydd
	Använd skyddsglasögon
	Använd skyddsmask mot damm
	Använd skyddshandskar.
	Kontrollera att verktyget är fränkopplat innan du byter tillbehör.
	Lås
	Lå upp
	Uttjänade elektriska maskiner får inte kasseras som hushållsavfall. Använd återvinningsfaciliteter om det finns tillgängligt. Kontrollera med din återförsäljare eller vilka lokala föreskrifter som föreligger.

## 2. KOMPONENTER


1.	EXTRAHANDTAG
2.	BAK HÅNDTAK
3.	PÅ / AV VÄXLA
4.	LÅSA AV KNAPP
5.	BØRSTEDEKSEL

<b>6.</b>	<b>HJULSKYDD FÖR SLIPNING</b>
<b>7.</b>	<b>SKIVA*</b>
<b>8.</b>	<b>SKIFTNYCKEL</b>
<b>9.</b>	<b>INRE FLÄNS</b>
<b>10.</b>	<b>YTTRE FLÄNS</b>
<b>11.</b>	<b>HJULSKYDD FÖR SLIPNING</b>
<b>12.</b>	<b>SKYDDSPÄNNSPAK</b>

\* Avbildat eller beskrivet tillbehör ingår delvis inte i leveransomfånget.

### 3. TEKNISK INFORMATION

Typ **WX709 WX709.X (700-749**  
**-maskinbeteckning, anger Vinkelslip)**

	<b>WX709 WX709.X**</b>
Spänning	230-240 V~50 Hz
Ström input	2350 W
Last hastighet	6500 /min
Diskstørrelse	230 mm
Platen ble boret	22.2 mm
Spindeltråd	M14
Diameter sliping hjul	230 mm
Max. Slipskivans tjocklek	6 mm
Skyddsklass	 /II
Maskinens vikt	5.7 kg

\*\* X = 1-999, A-Z, M1-M9 är endast för olika kunder, det finns inga säkerhetsrelaterade förändringar mellan dessa modeller.

Vi rekommenderar att du köper alla dina tillbehör från samma affär där du köpte verktyget. Se avsnittet med arbetstips i denna bruksanvisning eller tillbehörets förpackning för mer information. Affärspersonalen kan också hjälpa dig och ge dig råd.

### BULLERINFORMATION

Ett uppmätt ljudtryck  $L_{DA}$ : 96 dB(A)

En uppmätt ljudstyrka  $L_{WA}$ : 107 dB(A)

$K_{DA} & K_{WA}$  3.0dB(A)

Använd hörselskydd 

### VIBRATIONSINFORMATION

Vibration totala värden fastställda enligt EN60745:

Typisk uppmätt vibrering	Vibrationsutsändningsvärde: $a_{TL,AG} = 8.4 \text{ m/s}^2$
	Osäkerhet $K = 1.5 \text{ m/s}^2$

- Den rapporterte totale vibrasjonsverdien og den rapporterte støytullsverdien måles ved hjelp av standardiserte testmetoder og kan brukes til å sammenligne ett verktøyet med et annet.

- Den totale vibrasjonsverdien som er angitt, og den rapporterte støytullsverdien kan også brukes til evaluering av den første eksponeringen.

**! WARNING:** Vibrationsvärde vid verklig användning av maskinverktøyet kan skilja sig åt från det deklarerade värdet beroende på hur verktøyet används och beroende på följande exempel och andra variationer om hur verktøyet används: Hur verktøyet används och materialet som skärs. Verktøyet är i bra skick och bra underhållet. Användning av korrekt tillbehör för verktøyet og säkerställ att de är skarpe och i bra skick. Åtdragningsgraden av greppet på handtaget och om några antivibrasjonstillbehör används. Och att verktøyet används såsom avsett enligt dess konstruktion och dessa instruksjoner.

**Detta verktyg kan orsaka hand-arm vibrationssyndrom om det används på felaktigt sätt.**

**! WARNING:** För att vara korrekt bör en beräkning av exponeringsnivån under verkliga förhållanden vid användning också tas med för alla delar av hanteringscykeln såsom tiden när verktøyet är avstängt och när det körs på tomgång utan att utföra något arbete. Detta kan betydligt minska exponeringsnivån över den totala arbetsperioden. Hjälpe för att minimera risken för vibrationsexponering. Underhåll verktøyet i enlighet med dessa instruksjoner og håll det vålsmort (där så behövs) Om verktøyet ska användas regelbundet, investera i antivibrasjonstillbehör. Undvik att använda verktøyet i temperaturer på 10oC eller lägre

Planera ditt arbetsschema för att sprida ut användning av kraftigt vibrerande verktyg över flera dagar.

## 4. ÄNDAMÅLSENLIG ANVÄNDNING

Maskinen är avsedd för kapning, grovbearbetning och borstning av arbetsstycken i metall- och sten utan vattentillförsel. För kapning av metall ska ett speciellt sprängskydd (tillbehör) användas.


## 5. BRUKSANVISNINGAR



**OBS:** Innan du använder verktyget, läs noga igenom bruksanvisningen.

### MONTERING OCH DRIFT

Åtgärd	Figur
<b>MONTERING</b>	
Installera hjälphandtaget	Se A
Montering av slip/kapskiva	Se B1, B2, B3
Ställa in skivskyddet <b>OBS: Vid arbeten med slip- eller kapskivor måste sprängskyddet vara monterat. Använd alltid rätt typ av skiva för det aktuella ändamålet. Om verktyget är avsett för kapning, måste ett speciellt skydd för detta monteras.</b> Kodklacken på sprängskyddet säkerställer att endast det sprängskydd som monteras som passar till maskinen. Öppna spännarmen. Placera sprängskyddet med kodklacken i kodspåret på maskinhuvudets spindelhals och vrid till önskat läge (arbetsposition). Stäng spännarmen för fastklämning av sprängskyddet. <b>Den slutna sidan på sprängskyddet måste alltid vara riktad mot användaren.</b> <b>NOTERA:</b> När klemhåndtaget er åpen, kan klemmen justeras för å sikre at beskyttelsen er stram etter at klemhåndtaget er endelig lukket.	Se C
<b>DRIFT</b>	
Användning av Till/Från-strömbrytare	Se D
Handgreppytör	Se E

Grovslipning  <b>WARNING!</b> Använd aldrig en kapskiva för slipning.	
Kapslipning	Se F
Hur använder man rotationshandtaget	Se G
Å erstatte børster	Se H

## ARBETSTIPS FÖR DIN SLIPMASKINER

- Dens vinkelsliper er nyttig både for å kutte med metaller og for fjerning av skruehoder, så vel som for rengjøring / fremstilling av overflater, det vil si før og etter sveiseoperasjoner.
- Ulike typer hjul og kniver gjør at kverna kan dekke forskjellige behov. Generelt er de hjul / utsparingene er tilgjengelige for karbonstål, rustfritt stål, stein og tegl. Diamond impregnert plater er tilgjengelige for svært harde materialer.
- Det sliper brukes i myke metaller som aluminium, vil skovhullet snart tilstoppes og må skiftes.
- Til enhver tid, la sliper gjøre arbeidet, ikke tvinge, eller bruke for høyt trykk på hjulet / plate.
- Hvis man skjæring et spor sikrer at skjæreverktøyet holder seg på linje med sporet, kan vridning av skjæreverktøyet føre til at bladet bryter. Hvis skjæring gjennom det tynne arket bare tillater materialet, overdreven penetrasjon kan øke risikoen for å forårsake skade.
- Hvis du skjæring steinen eller murstein, er det tilrådelig å bruke en støvavtrekk.

## 6. UNDERHÅLL

**Ta bort pluggen från hållaren innan du gör några anpassningar, servis eller underhåll.**

Det finns inga delar som kan repareras av användaren i verktyget. Använd aldrig vatten eller kemiska medel för att rengöra verktyget. Torka rent med en torr trasa. Förvara alltid verktyget på en torr plats. Håll motors ventileringsöppningar rena. Håll alla arbetskontroller fria från damm. Ser du gnistor i ventileringsöppningarna, är det normalt och kommer inte att skada till verktyg. Om strömkabeln är skadad och att undvika fara, måste den ersättas av tillverkaren, servis agenten eller liknande kvalificerad person.

## 7. FELSÖKNING

Även om din nya vinkelslip är väldigt enkel att hantera kan du få problem, kontrollera följande:

- Hvis en feil ikke kan korrigeres, returnerer du verktøyet til en forhandleragent eller

- reparasjonstekniker.
2. Om din slip inte fungerar kontrollera strömanslutningen.
  3. Om din slipmaskins skiva kastar eller vibrerar, kontrollera att den yttre flänsen är åtdragen och kontrollera att skivan är korrekt placerad på flänsplattan.
  4. Om det finns några synliga skador på skivan ska den inte användas eftersom en skadad skiva kan gå sönder, ta bort den och byt mot en ny skiva. Kasta gamla skivor på ett vettigt sätt.
  5. Om du arbetar med aluminium eller liknande mjuka legeringar kommer skivan snart att bli tilltäppt och kommer inte att slipa effektivt.

Vice chefsingenjör, tester och certifiering  
Positec Technology (China) Co., Ltd  
18, Dongwang Road, Suzhou Industrial  
Park, Jiangsu 215123, P. R. China

## 8. MILJÖSKYDD



Uttjänade elektriska maskiner får inte kasseras som hushållsavfall. Använd återvinningsfaciliteter om det finns tillgängligt. Kontrollera med din återförsäljare eller vilka lokala föreskrifter som föreligger.

## 9. DEKLARATION OM ÖVERENSSTÄMMESE

Vi,  
Positec Germany GmbH  
Postfach 32 02 16, 50796 Cologne, Germany

Förklarar att denna produkt,  
Beskrivning **Worx Vinkelslip**  
Typ **WX709 WX709.X (700-749 - maskinbeteckning, anger Vinkelslip)**  
Funktion **Yttre- och sidoslipning**

Uppfyller följande direktiv,  
**2006/42/EC, 2011/65/EU&(EU)2015/863  
2014/30/EU**

Standarder överensstämmer med:  
**EN 55014-1, EN 55014-2, EN IEC 61000-3-2,  
EN 61000-3-3, EN 60745-1, EN 60745-2-3**

Personen som godkänts att sammanställa den tekniska filen.

**Namn Marcel Filz**  
**Address Positec Germany GmbH**  
**Postfach 32 02 16, 50796 Cologne, Germany**



2021/10/15  
Allen Ding

# SPIS TREŚCI

1. INSTRUKCJE NT. BEZPIECZEŃSTWA
2. LISTA KOMPONENTÓW
3. DANE TECHNICZNE
4. UŻYCIE ZGODNE Z PRZEZNACZENIEM
5. INSTRUKCJE OBSŁUGI
6. KONSERWACJA
7. ROZWIĄZYWANIE PROBLEMÓW
8. OCHRONA ŚRODOWISKA
8. DEKLARACJA ZGODNOŚCI

## 1. INSTRUKCJE NT. BEZPIECZEŃSTWA OGÓLNE OSTRZEŻENIA DOTYCZĄCE BEZPIECZEŃSTWA PODCZAS PRACY Z ELEKTRONARZĘDZIAMI



**UWAGA: Należy przeczytać wszystkie przepisy.** Błędy w przestrzeganiu

następujących przepisów mogą spowodować porażenie prądem, pożar i/lub ciężkie obrażenia ciała.

**Należy dobrze przechowywać te przepisy.**

Użyte w dalszej części pojęcie „elektronarzędzie” odnosi się do elektronarzędzi napędzanych prądem (z kablem zasilającym) i do elektronarzędzi napędzanych akumulatorami (bez kabla zasilającego).

### 1. MIEJSCE PRACY

- Miejsce pracy należy utrzymywać w czystości i dobrze oświetlone.** Nieporządek i nie oświetlane zakreślenia pracy mogą doprowadzić do wypadków.
- Nie należy pracować tym narzędziem w otoczeniu zagrożonym wybuchem, w którym znajdują się np. łatwopalne ciecze, gazy lub pyły.** Elektronarzędzia wywołują iskry, które mogą podpalić ten pył lub parę.
- Elektronarzędzie trzymać podczas pracy z daleka od dzieci i innych osób.** Przy odwróceniu uwagi można stracić kontrolę nad narzędziem.

### 2. BEZPIECZEŃSTWO ELEKTRYCZNE

- Wtyczka urządzenia musi pasować do gniazda. Nie wolno zmieniać wtyczki w jakikolwiek sposób. Nie należy używać wtyczek adapterowych razem z uziemionymi narzędziami.** Niezmienione wtyczki i pasujące gniazda zmniejszają ryzyko porażenia prądem.

- Należy unikać kontaktu z uziemionymi powierzchniami jak rury, grzejniki, piece i lodówki.** Istnieje zwiększone ryzyko porażenia prądem, gdy Państwa ciało jest uziemione.
- Urządzenie natęży trzymać zabezpieczone przed deszczem i wilgocią.** Wniknięcie wody do elektronarzędzia podwyższa ryzyko porażenia prądem.
- Nigdy nie należy używać kabla do innych czynności. Nigdy nie używać kabla do noszenia urządzenia za kabel, zawieszenia lub do wyciągania wtyczki z gniazda. Kabel należy trzymać z daleka od wysokich temperatur, oleju; ostrych krawędzi lub ruchomych części urządzenia.** Uszkodzone lub poplątane kable zwiększają ryzyko porażenia prądem.
- W przypadku, że elektronarzędziem pracuje się na świeżym powietrzu należy używać kabla przedłużającego, który dopuszczony jest do używania na zewnątrz.** Użycie dopuszczonego do używania na zewnątrz kabla przedłużającego zmniejsza ryzyko porażenia prądem.
- Jeśli nie można uniknąć posługiwania się elektronarzędziem w miejscu o dużej wilgotności należy użyć zabezpieczonego zasilacza domowego (RCD).** Stosowanie RCD zmniejsza ryzyko porażenia prądem elektrycznym.

### 3. BEZPIECZEŃSTWO OSÓB

- Należy być uważnym, zważać na to co się robi i pracę elektronarzędziem rozpocząć z rozsądkiem. Nie należy używać urządzenia gdy jest się zmęczonym lub pod wpływem narkotyków, alkoholu lub leków.** Moment nieuwagi przy użyciu urządzenia może doprowadzić do poważnych obrażeń ciała.
- Należy nosić osobiste wyposażenie ochronne i zawsze okulary ochronne.** Noszenie osobistego wyposażenia ochronnego jak maska przeciwpyłowa, nie ślizgające się buty robocze, hełm ochronny lub ochrona słuchu, w zależności od rodzaju i użycia elektronarzędzia zmniejsza ryzyko obrażeń ciała.
- Należy zapobiec przypadkowemu uruchomieniu. Przed podłączeniem do sieci zasilającej i/lub zestawu baterii, podniesieniem urządzenia i przenoszeniem urządzenia należy sprawdzić, czy przełącznik znajduje się w pozycji wyłączenia.** W przypadku, że przy noszeniu urządzenia trzyma się palec na włączniku/wyłączniku lub włączone urządzenie podłączone zostanie do prądu, to może to doprowadzić do wypadków.
- Zanim urządzenie zostanie włączone należy usunąć narzędzia nastawcze lub klucze.** Narzędzie lub klucz, które znajdują się w ruchomych częściach urządzenia mogą



doprowadzić do obrażeń ciała.

- e) **Nie należy przeceniać swoich możliwości.** Należy dbać o bezpieczną pozycję pracy i zawsze utrzymywać równowagę. Przez to możliwa jest lepsza kontrola urządzenia w nieprzewidzianych sytuacjach.
- f) **Należy nosić odpowiednie ubranie. Nie należy nosić luźnego ubrania lub biżuterii. Włosy, ubranie i rękawice należy trzymać z daleka od ruchomych części.** Luźne ubranie, biżuteria lub długie włosy mogą zostać ujęte przez poruszające się części.
- g) **W przypadku, że możliwe jest zamontowanie urządzeń odsysających lub podchwytyjących należy upewnić się, czy są one właściwie podłączone i prawidłowo użyte.** Użycie tych urządzeń zmniejsza zagrożenie spowodowane pyłami.

#### 4. STARANNE OBCOWANIE ORAZ UŻYCIE ELEKTRONARZĘDZI

- a) **Nie należy przeciążać urządzenia. Do pracy używać należy elektronarzędzia, które jest do tego przewidziane.** Odpowiednim narzędziem pracuje się lepiej i bezpieczniej w podanym zakresie sprawności.
- b) **Nie należy używać elektronarzędzia, którego włącznik/wyłącznik jest uszkodzony.** Elektronarzędzie, którego nie można włączyć lub wyłączyć jest niebezpieczne i musi zostać naprawione.
- c) **Należy odłączyć wtykę od źródła zasilania i/lub zestawu baterii, przed wykonaniem jakichkolwiek regulacji, zmiany akcesoriów lub podczas przechowywania elektronarzędzi.** Ten środek ostrożności zapobiega niezamierzonemu włączeniu się urządzenia.
- d) **Nie używane elektronarzędzia należy przechowywać poza zasięgiem dzieci. Nie należy dać narzędzia do użytku osobom, które jego nie znają lub nie przeczytały tych przepisów.** Używane przez niedoświadczonych osoby elektronarzędzia są niebezpieczne.
- e) **Urządzenie należy pieczołowicie pielęgnować. Należy kontrolować, czy ruchome części urządzenia funkcjonują bez zarzutu i nie są zablokowane, czy części nie są pęknięte lub uszkodzone, co mogłoby mieć wpływ na prawidłowe funkcjonowanie urządzenia. Uszkodzone części należy przed użyciem urządzenia oddać do naprawy.** Wiele wypadków spowodowanych jest przez niewłaściwą konserwację elektronarzędzi.
- f) **Narzędzia tnące należy utrzymywać ostre i czyste.** Starannie pielęgnowane narzędzia tnące z ostrymi krawędziami tnącymi zablokują się rzadziej i łatwiej się je prowadzi.
- g) **Elektronarzędzia, osprzęt, narzędzia**

**itd. należy używać odpowiednio do tych przepisów i tak, jak jest to przewidziane dla tego specjalnego typu urządzenia. Uwzględnić należy przy tym warunki pracy i czynność do wykonania.** Użycie elektronarzędzi do innych niż przewidziane prace może doprowadzić do niebezpiecznych sytuacji.

#### 5. SERWIS

- a) **Naprawę urządzenia należy zlecić jedynie kwalifikowanemu fachowcowi i przy użyciu oryginalnych części zamiennych.** To gwarantuje, że bezpieczeństwo urządzenia zostanie zachowane.

## INSTRUKCJE BEZPIECZEŃSTWA DLA WSZYSTKICH OPERACJI

### OSTRZEŻENIA BEZPIECZEŃSTWA DOTYCZĄCE OPERACJI SZLIFOWANIA LUB CIĘCIA:

- a) **To narzędzie jest przeznaczone do pracy jako szlifierka grinder. Należy przeczytać wszystkie ostrzeżenia dotyczące bezpieczeństwa, instrukcje, zapoznać się z rysunkami i przedstawionymi danymi technicznymi.** Nieprzestrzeganie wszystkich instrukcji przedstawionych poniżej może spowodować porażenie elektryczne, pożar i/lub poważne zranienia.
- b) **Nie zalecane jest wykonywanie prac takich jak szlifowanie, szcztokowanie, polerowanie lub cięcie przy użyciu tego narzędzia.** Wykonywanie prac niezgodnych z przeznaczeniem urządzenia może stwarzać niebezpieczeństwo i spowodować poranienia.
- c) **Nie można używać akcesoriów, które nie zostały specjalnie zaprojektowane i nie są zalecane przez producenta narzędzia.** To, że dowolne akcesoria da się podłączyć do urządzenia, nie gwarantuje bezpiecznej pracy.
- d) **Prędkość znamionowa dołączanych akcesoriów musi być co najmniej równa prędkości maksymalnej podanej na narzędziu.** Akcesoria pracujące z prędkością wyższą od ich prędkości znamionowej mogą się rozlecieć.
- e) **Średnica zewnętrzna oraz grubość akcesoriów musi zawierać się w granicach znamionowych dla narzędzia.** Nieprawidłowo dobrane pod względem rozmiaru akcesoria nie mogą być prawidłowo zabezpieczone i kontrolowane.
- f) **Narzędzia robocze z wkładką gwintowaną muszą dokładnie pasować na gwint na wrzecionie. W przypadku narzędzi roboczych, mocowanych przy użyciu kołnierza średnica otworu narzędzia roboczego musi być dopasowana do średnicy kołnierza.** Narzędzia

robocze, które nie mogą być dokładnie osadzone na elektronarzędziu, obracają się nierównomiernie, bardzo mocno wibrują i mogą spowodować utratę kontroli nad elektronarzędziem.

- g) Nie można używać uszkodzonych akcesoriów. Przed każdym użyciem akcesoria należy sprawdzić w zakresie pęknięć i zadrapań tarcz ściernych, pęknięć płyt mocujących, złamań lub nadmiernego zużycia, braku lub pęknięć na drutach szcزتok. Jeśli urządzenie lub akcesoria spadną, należy sprawdzić, czy nie uległy uszkodzeniu lub zamontować oprzyrządowanie nieuszkodzone. Po sprawdzeniu i zamontowaniu oprzyrządowania, użytkownik i osoby postronne muszą zająć pozycję z dala od płaszczyzny wirowania akcesoriów, a następnie na jedną minutę uruchomić narzędzie przy maksymalnej prędkości bez obciążenia.** Podczas tego testu uszkodzone akcesoria po prostu rozpadną się.

- h) Należy stosować sprzęt ochrony osobistej, zależnie od prowadzonych prac należy stosować osłonę twarzy, okulary bezpieczeństwa lub gogle zabezpieczające. W razie potrzeby należy zastosować maskę przeciw pyłową, nauszники, rękawice i filtr zabezpieczający przed małymi cząstkami.**

Osłona oczu powinna zatrzymać cząstki lotne wytwarzane przy różnych pracach. Maski przeciwpyłowa lub respirator muszą być w stanie zatrzymać cząstki wytwarzane przy danej operacji. Przebywanie przez dłuższy czas w hałasie o dużym natężeniu może spowodować utratę słuchu

- i) Osoby postronne powinny przebywać w bezpiecznej odległości od obszaru pracy. Każdy wchodzący w obszar pracy musi używać odpowiedni sprzęt ochronny.** Fragmenty cząstek lub uszkodzonych akcesoriów mogą uderzyć raniąc człowieka, nawet poza obszarem bezpośredniej pracy.
- j) Podczas wykonywania prac, w których przyrządy tnące mogą przeciąć kabel elektryczny, narzędzie można trzymać jedynie za izolowaną powierzchnię karbowaną.** Kontakt z przewodem sieci zasilającej może spowodować przekazanie napięcia na części metalowe elektronarzędzia, co mogłoby spowodować porażenie prądem elektrycznym.
- k) Kabel należy ułożyć z dala od elementów wirujących.** Po utracie kontroli, kabel może zostać przecięty bądź wplątany, a ręka lub ramię zostać wciągnięte przez element obracający się.
- l) Narzędzia nie można odkładać po wyłączeniu zasilania, aż do chwili zatrzymania elementu obrotowego.** Elementy obracające się mogą zatarte o powierzchnię, co spowoduje utratę nad nimi kontroli,
- m) Narzędzia nie można włączać podczas przenoszenia.** Przypadkowe dotknięcie obracających się elementów może spowodować

wciągnięcie ubrania i uderzenie elementem.

- n) Regularnie należy oczyścić otwory wentylacyjne narzędzia.** Wentylatory silnika powoduje wciąganie do wnętrza kurzu i zbyt duże nagromadzenie opiłków metalu może spowodować zagrożenie porażeniem elektrycznym
- o) Urządzenie nie może pracować w pobliżu materiałów palnych.** Iskry mogą spowodować zapłon tych materiałów.
- p) Nie można używać akcesoriów, które wymagają chłodzenia cieczą.** Używanie wody lub innych cieczy może spowodować porażenie prądem nawet śmiertelne
- q) Podczas pracy ręka powinna trzymać uchwyt.** Należy zawsze korzystać z pomocniczych uchwytów dostarczonych z narzędziem. Utrata kontroli może spowodować obrażenia osobiste

## DALSZE INSTRUKCJE BEZPIECZEŃSTWA DLA WSZYSTKICH OPERACJI

### Odbicie i związane z tym zagrożenia

Odbicie jest gwałtowną reakcją na zablokowanie lub zakleszczenie obracającego się koła płyty podstawy, szcزتok lub innych akcesoriów. Zablokowanie lub zakleszczenie powoduje nagłe zatrzymanie obracających się akcesoriów, które z kolei spowoduje wytworzenie siły skierowanej przeciwnie do kierunku obrotów w punkcie zablokowania.

Na przykład, jeśli tarcza ścierna jest pęknięta lub zarysowana, jej zablokowanie lub zakleszczenie w obrabianym elemencie może spowodować jej podniesienie lub odbicie. Koło może gwałtownie przesunąć się w stronę operatora lub w kierunku przeciwnym, zależnie od kierunków obrotu koła w punkcie zakleszczenia. W takim przypadku tarcza ścierna może również pęknąć. Odbicie jest wynikiem nieprawidłowego wykorzystania narzędzia i/lub nieprawidłowych procedur lub warunków pracy i można go uniknąć stosując się do poniższych zaleceń.

- a) Należy pewnie chwycić uchwyt narzędzia i przyjąć postawę ciała i ramienia, które pozwolą opanować siłę odbicia. Zawsze należy używać rączki pomocniczej, jeśli jest dostarczona, dla zachowania maksymalnej kontroli przy odbiciu lub podczas działania momentu obrotowego przy uruchamianiu.** Operator może kontrolować siły odbicia lub od momentu przy uruchamianiu, jeśli będzie przestrzegał odpowiednich zaleceń.
- b) Nie można chwycić narzędzia w pobliżu elementów obracających się.** Akcesoria mogą spowodować odbicie w rękę.
- c) Nie można zajmować pozycji w płaszczyźnie**

**działania siły odbicia**, Odbicie spowoduje ruch urządzenia w kierunku przeciwnym do ruchu koła w punkcie zakleszczenia.

- d) Należy zachować szczególną ostrożność podczas pracy w rogach, przy ostrych krawędziach, itp., unikać blokowania lub zakleszczania akcesoriów.** Rogi, ostre krawędzie lub odskoczenie mogą blokować obracające się elementy i powodować utratę kontroli nad narzędziem lub odbicie.
- e) Nie należy zakładać tarcz z łańcuchem do cięcia drewna lub tarcz z zębami.** Mogą one powodować częste odbicia i utratę kontroli.

## DODATKOWE INSTRUKCJE BEZPIECZEŃSTWA

### DOTYCZĄCE OPERACJI SZLIFOWANIA I CIĘCIA

**Ostrzeżenia dotyczące bezpieczeństwa specyficzne dla szlifowania i cięcia ściernicą:**

- a) Zawsze należy stosować osłony przewidziane do wykorzystywanych tarcz. Osłonę należy bezpiecznie przymocować do narzędzia i ustawić dla zapewnienia maksymalnego bezpieczeństwa, aby jak najmniejsza część tarczy zagrażała operatorowi.** Osłona zabezpiecza operatora przed kawałkami tarczy i przypadkowym jej dotknięciem.
- b) Tarcze szlifierskie wygięte należy mocować w taki sposób, aby ich powierzchnia szlifująca nie wystawała poza krawędź pokrywy ochronnej.** Niefachowo osadzona tarcza szlifierska, wystająca poza krawędź pokrywy ochronnej nie może być wystarczająco osłonięta.
- c) Należy używać wyłącznie tarcz zalecanych dla danego narzędzia i specjalnych osłon zaprojektowanych dla konkretnych tarcz.** Tarczowe ściernice tnące przeznaczone są do usuwania materiału krawędzią tarczy. Wpływ sił bocznych na te ściernice może je złamać.
- d) Tarcze mogą być używane wyłącznie w zalecanych zastosowaniach. Na przykład: Nie można szlifować krawędzią tarczy tnącej.** Ścierne tarcze tnące są przewidziane do ścierania zewnętrznego, obciążenie ich siłą z boku może spowodować ich rozpadnięcie.
- e) Zawsze należy stosować nieuszkodzone kołnierze tarcz, o prawidłowym rozmiarze i kształcie dla danej tarczy.** Prawidłowe kołnierze tarcz podtrzymują tarczę zmniejszając niebezpieczeństwo pęknięcia. Kołnierze dla tarcz tnących mogą różnić się od kołnierzy dla tarcz ściernych.
- f) Nie można używać zużytych tarcz z większych narzędzi.** Tarcze przeznaczone do stosowania z większymi narzędziami nie są odpowiednie do pracy z wyższymi prędkościami mniejszych

narzędzi i mogą się spalić.

## DODATKOWE INSTRUKCJE BEZPIECZEŃSTWA DOTYCZĄCE OPERACJI CIĘCIA

**Dodatkowe ostrzeżenia bezpieczeństwa dotyczące cięcia ściernego:**

- a) Nie można dopuścić do zakleszczenia tarczy tnącej lub przykładać zbyt dużej siły., Nie można wycinać zbyt głęboko.** Przeciężenie tarczy spowoduje większą podatność na odkształcenia lub zakleszczenia w wycięciu i możliwość odbicia lub rozpadnięcia koła.
- b) Nie można stawać w linii obracającej się tarczy.** Jeśli tarcza w punkcie pracy kręci się w kierunku odwrotnym do ciała, odbicie może spowodować przesunięcie narzędzia bezpośrednio w stronę użytkownika.
- c) Po zakleszczeniu tarczy lub przerwaniu cięcia z dowolnego powodu, narzędzie należy wyłączyć i przytrzymać do całkowitego zatrzymania tarczy. Nie można wyjmować tarczy z wycięcia jeśli się obraca, może to spowodować odbicie.** Należy sprawdzić możliwość zakleszczenia tarczy i podjąć środki zapobiegawcze.
- d) Nie można ponownie zaczynać operacji cięcia w elemencie., Należy odczekać, aż tarcza odzyska prędkość znamionową i ponownie wprowadzić tarczę do wycięcia.** Tarcza może się zakleszczyć, odbić lub wciągnąć narzędzie przy ponownym rozpoczynaniu pracy w wycięciu.
- e) Panele i wszystkie inne elementy obrabiane należy podeprzeć, aby zmniejszyć ryzyko zakleszczenia lub odbicia tarczy.** Większe elementy mogą się ugiąć pod własnym ciężarem. Podpory musi zostać umieszczone pod elementem w pobliżu linii cięcia i na krawędzi elementu po obu stronach tarczy.
- f) Szczególną ostrożność należy zachować przy wykonywaniu nacięć kieszeniowych w ścianach lub innych pełnych elementach.** Tarcza może spowodować uszkodzenie rur gazowych lub wodnych, przewodów elektrycznych lub innych elementów, które spowodują odbicie.

## SYMBOLE

	Aby zmniejszyć niebezpieczeństwo odniesienia obrażeń, użytkownik powinien przeczytać podręcznik z instrukcjami.
	Podwójna izolacja
	Ostrzeżenie
	Używać ochrony słuchu
	Używać ochrony wzroku
	Używać maski przeciwpyłowej
	Stosować rękawice ochronne.
	Przed zmianą akcesoriów upewnij się, że narzędzie jest odłączone.
	Blokada
	Odblokowanie
	Opady wyrobów elektrycznych nie powinny być wyrzucane razem z odpadami gospodarstwa domowego. Należy korzystać z recyklingu, jeśli istnieje odpowiednia infrastruktura. Porady dotyczące recyklingu można uzyskać u władz lokalnych lub sprzedawcy detalicznego.

## 2. LISTA KOMPONENTÓW


<b>1.</b>	<b>UCHWYT POMOCNICZY</b>
<b>2.</b>	<b>TYLNY UCHWYT</b>
<b>3.</b>	<b>PRZEŁĄCZNIK WŁĄCZ / WYŁĄCZ</b>

<b>4.</b>	<b>PRZYCISK BLOKADY</b>
<b>5.</b>	<b>POKRYWA SZCZOTKI</b>
<b>6.</b>	<b>OSŁONA TARCZY DO SZLIFOWANIA</b>
<b>7.</b>	<b>TARCA *</b>
<b>8.</b>	<b>PRZYCISK BLOKADY WRZECIONA</b>
<b>9.</b>	<b>KLUCZ</b>
<b>10.</b>	<b>KOŁNIERZ WEWNĘTRZNY</b>
<b>11.</b>	<b>KOŁNIERZ ZEWNĘTRZNY</b>
<b>12.</b>	<b>OSŁONA TARCZY DO SZLIFOWANIA</b>
<b>13.</b>	<b>DŹWIGNIA MOCUJĄCA OSŁONĘ</b>

\* Nie wszystkie pokazane na ilustracji akcesoria są dostarczane standardowo.

## 3. DANE TECHNICZNE

Typ **WX709 WX709.X (700-749 oznaczenie urządzenia, reprezentuje Szlifierka kątowa)**

	<b>WX709 WX709.X **</b>
Voltaż	230-240 V~50 Hz
Wejście zasilania	2350 W
Prędkość bez obciążenia	6500 /min
Rozmiar dysku	230 mm
Otwór w dysku	22.2 mm
Gwint wrzeciona	M14
Średnica tarcz ściernych	230 mm
Max. Grubość ściernic	6 mm
Klasa ochrony	 /II
Ciężar maszyny	5.7 kg

\*\* X = 1-999, A-Z, M1-M9 są tylko dla różnych klientów, nie ma żadnych zmian związanych z bezpieczeństwem między tymi modelami.

Zaleca się zakup wszystkich akcesoriów w sklepie, gdzie zakupiono narzędzie. Więcej szczegółów można znaleźć w dodatkowym opakowaniu. Personel sklepu może również udzielić pomocy i porad.

## DANE DOTYCZĄCE HAŁASU I WIBRACJI

Ważone ciśnienie akustyczne  $L_{DA}$ : 96 dB(A)

Ważona moc akustyczna  $L_{WA}$ : 107 dB(A)

$K_{DA}$  &  $K_{WA}$  3.0dB(A)

Używać ochrony słuchu 

## INFORMACJE DOTYCZĄCE DRGAŃ

Łączna wartość drgań (suma wektora triax) określona według normy EN 60745:

Szlifowanie powierzchni	Wartość przenoszenia wibracji: $a_{h,AG} = 8.4 \text{ m/s}^2$
	Niepewność $K = 1.5 \text{ m/s}^2$

- deklarowana całkowita wartość drgań została zmierzona zgodnie ze standardową metodą badania i może być wykorzystana do porównania jednego narzędzia z innym;

- Deklarowana wartość całkowita wibracji może być różnie użyta we wstępnej ocenie ryzyka.



**OSTRZEŻENIE:** Wartość emisji drgań podczas rzeczywistego użytkowania elektronarzędzia może różnić się od wartości deklarowanej w zależności od sposobu użytkowania narzędzia, w zależności od poniższych przykładów i innych odchyśleń w sposobie użytkowania narzędzia. Sposób użycia narzędzia i cięte materiały.

Narzędzie jest w dobrym stanie i dobrze utrzymane. Należy używać odpowiedniego osprzętu do narzędzia i upewnić się, że jest ono ostre i w dobrym stanie.

Ciasność ucisku na uchwytach oraz czy ewentualne akcesoria antywibracyjne są stosowane.

A narzędzie jest używane zgodnie z jego konstrukcją i niniejszą instrukcją.

**Narzędzie to może powodować zespół wibracji dłoni i ramion, jeśli nie jest używane zgodnie z przeznaczeniem.**



**OSTRZEŻENIE:** Dokładnie rzecz biorąc, oszacowanie poziomu narażenia w rzeczywistych warunkach użytkowania powinno również uwzględniać wszystkie części cyklu operacyjnego, takie jak czasy, w których narzędzie jest wyłączone i pracuje na biegu jałowym, ale w rzeczywistości nie wykonuje swojej pracy. Może to

znacznie zmniejszyć poziom ryzyka w całym okresie pracy.

Pomagają zminimalizować ryzyko narażenia na wibracje.

Narzędzie należy konserwować zgodnie z niniejszymi instrukcjami i dokładnie smarować (w razie potrzeby).

Jeśli narzędzie ma być używane regularnie, należy zainwestować w akcesoria antywibracyjne.

Zaplanuj harmonogram pracy tak, aby rozłożyć na kilka dni używanie narzędzia o wysokiej wibracji.

## 4. UŻYCIĘ ZGODNE Z PRZEZNACZENIEM

Elektronarzędzie przewidziane jest do cięcia, ścierania i obrabiania za pomocą szczotek materiałów metalowych i kamiennych bez użycia wody. Do cięcia metalu należy użyć specjalnej pokrywy ochronnej (pokrywa ochronna do cięcia – do nabycia jako wyposażenie dodatkowe).

## 5. INSTRUKCJA OBSŁUGI



**UWAGA:** Przed użyciem narzędzia należy uważnie przeczytać instrukcje.

### MONTAŻ I OBSŁUGA

Działanie	Rysunek
<b>MONTAŻ</b>	
Regulowany uchwyt dodatkowy	Zob. A
Montaż tarczy szlifującej/tnącej	Zob. B1, B2, B3

Regulacja osłony

**UWAGA: W przypadku prac z wykorzystaniem tarcz szlifierskich lub tnących, należy zamontować osłonę zabezpieczającą. Zawsze używaj tarczy przeznaczonej do danej pracy. W przypadku cięcia należy założyć inną, przeznaczoną do tego osłonę**

W przypadku prac z wykorzystaniem tarcz szlifierskich lub tnących, należy zamontować osłonę zabezpieczającą. Zabezpieczenie na osłonie gwarantuje mocowanie jedynie takiej osłony, która odpowiada typowi narzędzia.

Otworzyć dźwignię zacisku. Umieścić osłonę z zabezpieczeniem w żłobieniu na wrzecionie głowicy narzędzia i obrócić do wymaganej pozycji (pozycji roboczej). W celu zablokowania osłony tarczy w miejscu należy zamknąć dźwignię dociskową.

**Zamknięta strona osłony tarczy musi być zawsze skierowana w stronę operatora.**

**UWAGA:** Po zwolnieniu dźwigni zaciskowej można regulować śrubą zacisk, aby po ostatecznym zamknięciu dźwigni zaciskowej osłona była stabilnie zamocowana.


Zob. C

#### KORZYSTANIE Z NARZĘDZIA

Obszary chwytu rękami

Zob. D

Szlifowanie zgrubne

 **UWAGA!** Nigdy nie należy używać tarczy tnącej do szlifowania zgrubnego.

Zob. E

Cięcie

Zob. F

Aby użyć obrotowego uchwytu

Zob. G

Wymiana szczotek

Zob. H

## WSKAZÓWKI DOTYCZĄCE PRACY Z NARZĘDZIEM

1. Twoja szlifierka kątowa może się przydać zarówno do cięcia metali, tj. do usuwania łbów śrub, jak i do czyszczenia/przygotowywania powierzchni, tj. przed i po spawaniu.
2. Różne rodzaje tarcz/nożyków pozwalają szlifierce na spełnianie różnych potrzeb. Zazwyczaj tarcze/nożyki są dostępne dla stali miękkiej, stali nierdzewnej, kamienia i cegły. Tarcze diamentowe są

wykorzystywane do bardzo twardych materiałów.

3. Jeśli szlifierka jest używana do miękkich metali, takich jak aluminium, tarcza stosunkowo szybko się zatka i będzie musiała zostać wymieniona.
4. Zawsze należy pozwolić, aby szlifierka wykonywała pracę, nie używać siły ani nie wywierać nadmiernego nacisku na tarczę.
5. Jeżeli przy wycięciu szczeliny frez jest ustawiony w jednej linii ze szczeliną, jego skręcenie może spowodować pęknięcie tarczy. Jeśli materiał pozwala tylko na cięcie cienkiej blachy, nadmierna penetracja może zwiększyć ryzyko uszkodzenia.
6. W przypadku cięcia kamienia lub cegły zaleca się stosowanie odpylacza.

## 6. KONSERWACJA

**Przed dokonywaniem jakichkolwiek regulacji, obsługi technicznej lub konserwacji należy wyjąć wtyczkę z gniazdka.**

W narzędziu nie ma żadnych części, które wymagałyby serwisowania przez użytkownika. Nigdy nie należy używać wody czy środków czyszczących do czyszczenia narzędzia z napędem elektrycznym. Czyścić suchą szmatką. Zawsze należy przechowywać narzędzie w suchym miejscu. Utrzymywać w czystości otwory wentylacyjne silnika. Utrzymywać wszystkie urządzenia sterujące w czystości. W otworach wentylacyjnych mogą pojawiać się iskry, jest to normalne i nie spowoduje uszkodzenia narzędzia.

Jeśli uszkodzono przewód zasilający, aby uniknąć niebezpieczeństwa powinien zostać wymieniony przez producenta, przedstawiciela serwisu lub inną wykwalifikowaną osobę.

## 7. ROZWIĄZYWANIE PROBLEMÓW

Mimo, iż ta szlifierka kątowa jest niezwykle prosta w obsłudze, w przypadku wystąpienia problemów należy sprawdzić następujące elementy:

1. Jeżeli usterki nie można usunąć, należy oddać narzędzie do naprawy autoryzowanemu sprzedawcy lub jego serwisowi.
2. Jeśli szlifierka nie działa, sprawdzić wtyczkę zasilania.
3. W przypadku chybienia lub wibrowania tarczy sprawdzić, czy kołnier z zewnętrzny jest dokręcony oraz czy tarcza jest prawidłowo osadzona na płycie kołnierza.
4. W przypadku jakichkolwiek oznak uszkodzenia tarczy nie używać urządzenia, ponieważ uszkodzona tarcza może się rozpaść; należy ją usunąć i wymienić na nową. Rozsądnie utylizować zużyte tarcze.
5. W przypadku pracy z aluminium lub podobnym miękkim stopem, tarcza szybko się zablokuje i będzie szlifować nieskutecznie.

## 8. ΟΧΡΟΝΑ ΣΡΟΔΩΙΣΚΑ



Odpady wyrobów elektrycznych nie powinny być wyrzucane razem z odpadami gospodarstwa domowego. Należy korzystać z recyklingu, jeśli istnieje odpowiednia infrastruktura. Porady dotyczące recyklingu można uzyskać u władz lokalnych lub sprzedawcy detalicznego.

## 9. DEKLARACJA ZGODNOŚCI

My,  
Positec Germany GmbH  
Postfach 32 02 16, 50796 Cologne, Germany

Deklarujemy, że produkt,  
Opis **Szliifierka kątowa Worx**  
Typ **WX709 WX709.X (700-749 -- oznaczenie urzędnika, reprezentuje Szliifierka kątowa)**  
Funkcja **Szlifowanie boczne i obwodowe**

Jest zgodny z następującymi dyrektywami,  
**2006/42/EC, 2011/65/EU&(EU)2015/863  
2014/30/EU**

Normy są zgodne z:  
**EN 55014-1, EN 55014-2**  
**EN IEC 61000-3-2, EN 61000-3-3**  
**EN 60745-1, EN 60745-2-3**

Osoba upoważniona do kompilacji pliku technicznego,  
**Nazwa Marcel Filz**  
**Adres Positec Germany GmbH**  
**Postfach 32 02 16, 50796 Cologne, Germany**



2021/10/15

Allen Ding

Zastępca głównego inżyniera, testowanie i certyfikacja  
Positec Technology (China) Co., Ltd  
18, Dongwang Road, Suzhou Industrial  
Park, Jiangsu 215123, P. R. China

## ΠΙΝΑΚΑΣ ΠΕΡΙΕΧΟΜΕΝΩΝ

- ΟΔΗΓΙΕΣ ΑΣΦΑΛΕΙΑΣ
- ΛΙΣΤΑ ΣΥΣΤΑΤΙΚΩΝ
- ΤΕΧΝΙΚΕΣ ΠΛΗΡΟΦΟΡΙΕΣ
- ΠΡΟΒΛΕΠΟΜΕΝΗ ΧΡΗΣΗ
- ΟΔΗΓΙΕΣ ΛΕΙΤΟΥΡΓΙΑΣ
- ΕΡΓΑΣΙΕΣ ΣΥΝΤΗΡΗΣΗΣ
- ΑΝΤΙΜΕΤΩΠΙΣΗ ΠΡΟΒΛΗΜΑΤΩΝ
- ΠΡΟΣΤΑΣΙΑ ΤΟΥ ΠΕΡΙΒΑΛΛΟΝΤΟΣ
- ΔΗΛΩΣΗ ΣΥΜΜΟΡΦΩΣΗΣ

## 1. ΟΔΗΓΙΕΣ ΑΣΦΑΛΕΙΑΣ ΠΡΟΕΙΔΟΠΟΙΗΣΕΙΣ ΑΣΦΑΛΕΙΑΣ ΓΕΝΙΚΟΥ ΗΛΕΚΤΡΟΚΙΝΗΤΟΥ ΕΡΓΑΛΕΙΟΥ



**ΠΡΟΕΙΔΟΠΟΙΗΣΗ!** Διαβάστε όλες τις υποδείξεις. Η μη τήρηση των παρακάτω υποδείξεων μπορεί να έχει ως συνέπεια ηλεκτροπληξία, κίνδυνο πυρκαϊάς ή/και σοβαρούς τραυματισμούς.

### Φυλάξτε όλες τις προειδοποιήσεις και τις οδηγίες για μελλοντική αναφορά.

Ο χαρακτηρισμός «ηλεκτρικό εργαλείο» που χρησιμοποιείται στις παρακάτω προειδοποιητικές υποδείξεις αφορά ή το φορητό (χειρισμός με το χέρι) ηλεκτρικό μηχανήμα σας (με ηλεκτρικό καλώδιο) ή το μηχανήμα σας με μπαταρία (χωρίς καλώδιο).

### 1. ΧΩΡΟΣ ΕΡΓΑΣΙΑΣ

- Διατηρείτε το χώρο που εργάζεσθε καθαρό και καλά φωτισμένο.** Αταξία στο χώρο που εργάζεσθε και μη φωτισμένες περιοχές εργασίας μπορεί να οδηγήσουν σε ατυχήματα.
- Μην εργάζεσθε με το ηλεκτρικό εργαλείο σε περιβάλλον που υπάρχει κίνδυνος έκρηξης, στο οποίο υπάρχουν εύφλεκτα υγρά, αέρια ή σκόνη.** Τα ηλεκτρικά εργαλεία μπορεί να δημιουργήσουν σπινθηρισμό ο οποίος μπορεί να αναφλέξει τη σκόνη ή τις αναθυμιάσεις.
- Όταν χρησιμοποιείτε το ηλεκτρικό εργαλείο κρατάτε τα παιδιά κι άλλα τυχόν πρόσωπα μακριά από το χώρο που εργάζεσθε.** Σε περίπτωση που άλλα άτομα αποσπάσουν την προσοχή σας μπορεί να χάσετε τον έλεγχο του μηχανήματος.

### 2. ΗΛΕΚΤΡΙΚΗ ΑΣΦΑΛΕΙΑ

- Το φως του καλωδίου του ηλεκτρικού**

**εργαλείου πρέπει να ταιριάζει στην αντίστοιχη πρίζα. Δεν επιτρέπεται με κανένα τρόπο η μετασκέυη του φως.**

Μη χρησιμοποιείτε προσαρμοστικά φως σε συνδυασμό με ηλεκτρικά εργαλεία συνδεδεμένα με τη γη (γειωμένα). Άθικτα φως και κατάλληλες πρίζες μειώνουν τον κίνδυνο ηλεκτροπληξίας.

- b) Αποφεύγετε την επαφή του σώματος σας με γειωμένες επιφάνειες όπως σωλήνες, θερμαντικά σώματα (καλοριφέρ), κουζίνες και ψυγεία.** Όταν το σώμα σας είναι γειωμένο αυξάνεται ο κίνδυνος ηλεκτροπληξίας.
- c) Μην εκθέτετε το ηλεκτρικό εργαλείο στη βροχή ή την υγρασία.** Η διεύθυνση νερού στο ηλεκτρικό εργαλείο αυξάνει τον κίνδυνο ηλεκτροπληξίας.
- d) Μη χρησιμοποιείτε το καλώδιο για να μεταφέρετε ή να αναρτήσετε το ηλεκτρικό εργαλείο ή για να βγάλετε το φως από την πρίζα.** Κρατάτε το καλώδιο u956 ακριά από υψηλές θερμοκρασίες, λάδια, κοφτερές ακμές ή κινούμενα εξαρτήματα. Τυχόν χαλασμένα ή μπερδεμένα καλώδια αυξάνουν τον κίνδυνο ηλεκτροπληξίας.
- e) Όταν εργάζεστε με το ηλεκτρικό εργαλείο στο ύπαιθρο χρησιμοποιείτε πάντοτε καλώδια επιμύκησης (μπαλανάζες) που έχουν εγκριθεί για χρήση σε εξωτερικούς χώρους.** Η χρήση καλωδίων επιμύκησης εγκριμένων για εργασία σε εξωτερικούς χώρους μειώνει τον κίνδυνο ηλεκτροπληξίας.
- f) Αν δεν μπορείτε παρά να χρησιμοποιήσετε ένα ηλεκτρικό εργαλείο σε υγρό περιβάλλον, χρησιμοποιήστε ένα τροφοδοτικό που λειτουργεί με παραμένον ηλεκτρικό ρεύμα (RCD).** Η χρήση μιας συσκευής RCD μειώνει τον κίνδυνο ηλεκτροπληξίας.

### **3. ΑΣΦΑΛΕΙΑ ΠΡΟΣΩΠΩΝ**

- a) Να είστε πάντοτε προσεκτικός/προσεκτική, να δίνετε προσοχή στην εργασία που κάνετε και να χειρίζεστε το ηλεκτρικό εργαλείο με περίσκεψη.** Μην κάνετε χρήση του ηλεκτρικού εργαλείου όταν είστε κουρασμένος/κουρασμένη ή όταν βρίσκεστε υπό την επιρροή ναρκωτικών, οινοπνεύματος ή φαρμάκων. Μια στιγμήαια απροσεξία κατά το χειρισμό του ηλεκτρικού εργαλείου μπορεί να οδηγήσει σε σοβαρούς τραυματισμούς.
- b) Φοράτε προστατευτικά ενδύματα και πάντοτε προστατευτικά γυαλιά.** Όταν φοράτε ενδύματα ασφαλείας, ανάλογα με το υπό χρήση ηλεκτρικό εργαλείο, όπως προσταπίδα προστασίας από σκόνη, αντιολισθηκά παπούτσια ασφαλείας, κράνη ή waistpιδες, μειώνεται ο κίνδυνος τραυματισμών.
- c) Αποφύγετε την κατά λάθος εκκίνηση.** Βεβαιωθείτε πως ο διακόπτης είναι στη θέση off πριν να το συνδέσετε στο τροφοδοτικό και/ή τη μπαταρία, πριν να

το σηκώσετε ή να το μεταφέρετε. Όταν μεταφέρετε το ηλεκτρικό εργαλείο έχοντας το δάκτυλό σας στο διακόπτη ON/OFF ή αν συνδέσετε το ηλεκτρικό εργαλείο με την πηγή ρεύματος όταν ο διακόπτης ON/OFF βρίσκεται στη θέση «Ein» («ON»), αυτό μπορεί να οδηγήσει σε σοβαρούς τραυματισμούς.

- d) Αφαιρείτε από τα ηλεκτρικά εργαλεία πριν τα θέσετε σε λειτουργία τυχόν συναρμολογημένα χρησιμοποιήσιμα εργαλεία ή κλειδιά.** Ένα εργαλείο ή κλειδί συναρμολογημένο στο περιστρεφόμενο εξάρτημα ενός ηλεκτρικού εργαλείου μπορεί να οδηγήσει σε τραυματισμούς.
- e) Μην υπερκτιμάτε τον εαυτό σας. Φροντίζετε για την ασφαλή στήριξη του σώματος σας και διατηρείτε πάντοτε την ισορροπία σας.** Αυτό σας επιτρέπει τον καλύτερο έλεγχο το ηλεκτρικού εργαλείου σε περιπτώσεις απροσδόκητων καταστάσεων.
- f) Φοράτε κατάλληλη ενδυμασία εργασίας. Μη φοράτε φαρδιά ενδύματα ή κοσμήματα.** Κρατάτε τα μαλλιά σας, τα ενδύματα σας και τις αρτήματα. Χαλαρή ενδυμασία, κοσμήματα και μακριά μαλλιά μπορεί να εμπλακούν στα κινούμενα εξαρτήματα.
- g) Αν υπάρχει η δυνατότητα συναρμολόγησης είναι συνδεδεμένες καθώς και αν χρησιμοποιούνται σωστά.** Η χρήση τέτοιων διατάξεων μειώνει τους κινδύνους που προέρχονται από τη σκόνη.

### **4. ΧΡΗΣΗ ΚΙ ΕΠΙΜΕΛΗΣ ΧΕΙΡΙΣΜΟΣ ΤΩΝ ΗΛΕΚΤΡΙΚΩΝ ΕΡΓΑΛΕΙΩΝ**

- a) Μην υπερφορτώνετε το ηλεκτρικό εργαλείο.** Χρησιμοποιείτε για την εκάστοτε εργασία σας το ηλεκτρικό εργαλείο που προορίζεται για αυτήν. Με το κατάλληλο ηλεκτρικό εργαλείο εργάζεστε καλύτερα και ασφαλέστερα στην αναφερόμενη περιοχή ισχύος.
- b) Μη χρησιμοποιήσετε ποτέ ένα ηλεκτρικό εργαλείο του οποίου ο διακόπτης ON/OFF είναι χαλασμένος.** Ένα ηλεκτρικό εργαλείο το οποίο δεν μπορεί να τεθεί πλέον σε ή εκτός λειτουργίας είναι επικίνδυνο και πρέπει να επισκευαστεί.
- c) Να αποσυνδέετε το φως από την πηγή τροφοδοσίας ή/και να βγάζετε την μπαταρία από το ηλεκτρικό εργαλείο πριν κάνετε οποιεσδήποτε ρυθμίσεις ή αλλαγές εξαρτημάτων και πριν αποθηκεύετε τα ηλεκτρικά εργαλεία.** Αυτά τα προληπτικά μέτρα ασφαλείας μειώνουν τον κίνδυνο να τεθεί το μηχάνημα αθέλητα σε λειτουργία.
- d) Διαφυλάγετε τα ηλεκτρικά εργαλεία που δε χρησιμοποιείτε μακριά από παιδιά. Μην αφήνετε άτομα που δεν είναι εξοικειωμένα με το ηλεκτρικό εργαλείο ή δεν έχουν διαβάσει αυτές τις οδηγίες χρήσης να το**



**χρησιμοποιήσουν.** Τα ηλεκτρικά εργαλεία είναι επικίνδυνα όταν χρησιμοποιούνται από άπειρα πρόσωπα.

- e) Να περιποιηστείτε προσεκτικά το ηλεκτρικό σας εργαλείο και να ελέγχετε, αν τα κινούμενα τμήματά του λειτουργούν άψογα και δεν μπλοκάρουν, ή μίμηκως έχουν χαλάσει ή σπάσει εξαρτήματα, τα οποία επιρραζούν έτσι αρνητικά τον τρόπο λειτουργίας του ηλεκτρικού εργαλείου.** Δώστε τυχόν χαλασμένα εξαρτήματα του ηλεκτρικού εργαλείου για επισκευή πριν το χρησιμοποιήσετε πάλι. Η ανεπαρκής συντήρηση των ηλεκτρικών εργαλείων αποτελεί αιτία πολλών ατυχημάτων.
- f) Διατηρείτε τα κοπτικά εργαλεία κοφτερά και καθαρά.** Τα κοπτικά εργαλεία που συντηρούνται με προσοχή μπορούν να οδηγηθούν εύκολα και να ελεγχθούν καλύτερα.
- g) Χρησιμοποιείτε τα ηλεκτρικά εργαλεία, τα εξαρτήματα, τα χρησιμοποιήσιμα εργαλεία κτλ. σύμφωνα με τις παρούσες οδηγίες καθώς και όπως προβλέπεται για τον εκάστοτε τύπο μηχανήματος.** Λαμβάνετε ταυτόχρονα υπόψη σας τις συνθήκες εργασίας και την υπό εκτέλεση εργασία. Η χρήση του ηλεκτρικού εργαλείου για άλλες εκτός από τις προβλεπόμενες εργασίες μπορεί να δημιουργήσει επικίνδυνες καταστάσεις.

## 5. SERVICE

- a) Δίνετε το ηλεκτρικό σας εργαλείο για επισκευή από άριστα ειδικευμένο προσωπικό, μόνο με γνήσια ανταλλακτικά.** Ετσι εξασφαλίζεται η διατήρηση της ασφάλειας του ηλεκτρικού εργαλείου.

## ΟΔΗΓΙΕΣ ΑΣΦΑΛΕΙΑΣ ΓΙΑ ΟΛΕΣ ΤΙΣ ΛΕΙΤΟΥΡΓΙΕΣ

**Προειδοποιήσεις Ασφαλείας, Κοινές για Λειτουργίες Τροχίσματος ή Τριβικής Κοπή:**

- a) Αυτό το ηλεκτρικό εργαλείο προορίζεται για να λειτουργεί ως τροχός, ή κοπή. Διαβάστε όλες τις προειδοποιήσεις, τις οδηγίες, τις εικόνες και τις προδιαγραφές ασφαλείας που παρέχονται μαζί με το ηλεκτρικό εργαλείο.** Εάν δεν ακολουθήσετε όλες τις οδηγίες που αναφέρονται στη συνέχεια ενδέχεται να προκληθεί ηλεκτροσόκ, πυρκαγιά ή/και σοβαρός τραυματισμός.
- b) Δεν συνιστάται να πραγματοποιείτε εργασίες όπως λείανση, βούρτσισμα, ή γυάλισμα με αυτό το εργαλείο.** Λειτουργίες άλλες από αυτές για τις οποίες σχεδιάστηκε το μηχανικό εργαλείο ενδέχεται να σας εκθέσουν σε κινδύνους και να προκαλέσουν ανθρώπινο τραυματισμό.
- c) Μην χρησιμοποιείτε αξεσουάρ τα οποία δεν**

**έχουν σχεδιαστεί ειδικά για το εργαλείο και η χρήση τους συνιστάται από τον κατασκευαστή του εργαλείου.** Απλώς και μόνο το γεγονός ότι το αξεσουάρ μπορεί να τοποθετηθεί στο μηχανικό εργαλείο σας, δεν εξασφαλίζει την ασφαλή λειτουργία του.

- d) Η ονομαστική ταχύτητα του αξεσουάρ πρέπει να είναι τουλάχιστον ίση με την μέγιστη ταχύτητα η οποία είναι σημειωμένη πάνω στο μηχανικό εργαλείο.** Αξεσουάρ που λειτουργούν ταχύτερα από την ονομαστική τους ταχύτητα μπορεί να εκσφενδονιστούν.
- e) Η εξωτερική διάμετρος και το πάχος του αξεσουάρ πρέπει να βρίσκονται μέσα στο βαθμό ικανότητας του μηχανικού εργαλείου.** Αξεσουάρ με λανθασμένες διαστάσεις δεν μπορούν να προστατευτούν ή να ελεγχθούν επαρκώς.
- f) Εργαλεία με βιδωτή υποδοχή πρέπει να ταιριάζουν ακριβώς στο στείρωμα του άξονα. Στα εργαλεία που συναρμολογούνται με τη βοήθεια φλάντζας πρέπει η διάμετρος της τρύπας του εργαλείου να ταιριάζει στη διάμετρο της υποδοχής της φλάντζας.** Εργαλεία που δεν μπορούν να στερεωθούν ακριβώς στο ηλεκτρικό εργαλείο περιστρέφονται ανομοιόμορφα, δονούνται ισχυρά και μπορεί να οδηγήσουν στην απώλεια του ελέγχου.
- g) Μην χρησιμοποιείτε αξεσουάρ που έχουν βλάβη. Πριν από κάθε χρήση επιθεωρήστε το αξεσουάρ όπως τον λειαντικό τροχό για θραύσματα ή στασιμότητα, σχίσιο ή υπερβολική φθορά. Εάν το μηχανικό εργαλείο αξεσουάρ έχει υποστεί πτώση, επιθεωρήστε για ζημιές ή τοποθετήστε ένα αξεσουάρ χωρίς βλάβες.** Μετά την επιθεώρηση και τοποθέτηση ενός αξεσουάρ, σταθείτε εσείς και τα πιθανά άλλα άτομα του περιγυρου μακριά από την πλάνη του περιστρεφόμενου αξεσουάρ και λειτουργήστε το μηχανικό εργαλείο στη μέγιστη ταχύτητα χωρίς φορτίο για ένα λεπτό. Κανονικά τα χαλασμένα αξεσουάρ θα αποκολληθούν κατά τη διάρκεια αυτής της δοκιμής.
- h) Να φοράτε προσωπικό προστατευτικό εξοπλισμό. Ανάλογα με την εφαρμογή, χρησιμοποιήστε μάσκα προσώπου, προστατευτικά γυαλιά-μάσκες ή γυαλιά ασφαλείας.** Όταν είναι απαραίτητο να φοράτε μάσκα για τη σκόνη, προστατευτικά ακοής, γάντια και ποδιά που θα σταματήσουν τα μικρά διαβρωτικά θραύσματα ή θραύσματα από το αντικείμενο προς επεξεργασία. Η προστασία για τα μάτια θα πρέπει να μπορεί να σας προστατεύσει από την αιωρούμενη ύλη που δημιουργείται από διάφορες εργασίες. Η μάσκα για τη σκόνη ή ο αναπνευστήρας πρέπει να μπορούν να φιλτράρουν τα σωματίδια τα οποία δημιουργούνται από τη λειτουργία. Η

παρατεταμένη έκθεση σε θόρυβο υψηλής έντασης μπορεί να προκαλέσει απώλεια της ακοής.

- ι) Να διασφαλίσετε ότι οι παριστάμενοι βρίσκονται σε ασφαλή απόσταση από την περιοχή εργασίας.** Οποιοσδήποτε εισέλθει στην περιοχή εργασίας πρέπει να φορά προσωπικό προστατευτικό εξοπλισμό. Θραύσματα από το αντικείμενο προς επεξεργασία ή από ένα χαλασμένο αξεσουάρ ενδέχεται να εκσφενδονιστούν και να προκαλέσουν τραυματισμό πέρα από την άμεση περιοχή λειτουργίας.
- ιι) Να πιάνετε το μηχανικό εργαλείο μόνο από την μονωμένη λαβή, όταν εκτελείτε μια λειτουργία όπου το κοπτικό εξάρτημα ενδέχεται να έρθει σε επαφή με κρυφές καλωδιώσεις ή με το ίδιο το καλώδιο του εργαλείου.** Εάν το κοπτικό εξάρτημα έρθει σε επαφή με “ζωντανά” καλώδια ενδέχεται τα μεταλλικά μέρη του μηχανικού εργαλείου να ενεργοποιηθούν και να προκαλέσουν σοκ στο χειριστή.
- κ) Τοποθετήστε το καλώδιο μακριά από το περιστρεφόμενο εξάρτημα.** Εάν χάσετε τον έλεγχο, το καλώδιο μπορεί να κοπεί ή να σκαλώσει και το χέρι ή το μπράτσο σας ενδέχεται να συρθεί προς το περιστρεφόμενο εξάρτημα.
- λ) Μην τοποθετείτε ποτέ το μηχανικό εργαλείο κάτω εωσούτο το εξάρτημα να έχει σταματήσει τελείως.** Το περιστρεφόμενο εξάρτημα ενδέχεται να αδράξει την επιφάνεια και να σπρώξει το μηχανικό εργαλείο μακριά από τον έλεγχό σας.
- μ) Μην λειτουργείτε το μηχανικό εργαλείο ενώ το μεταφέρετε στο πλάι σας.** Η τυχαία επαφή με το περιστρεφόμενο εξάρτημα θα μπορούσε να σχίσει το ρούχο σας και να σπρώξει το εξάρτημα προς το σώμα σας.
- ν) Να καθαρίζετε τακτικά τα ανοίγματα αερισμού του μηχανικού εργαλείου.** Ο ανεμιστήρας του κινητήρα θα ριζεί τη σκόνη στο εσωτερικό του περιβλήματος και η υπερβολική συσσώρευση κοινορτοποιημένου μετάλλου ενδέχεται να προκαλέσει ηλεκτρολογικούς κινδύνους.
- ο) Μην λειτουργείτε το μηχανικό εργαλείο κοντά σε εύφλεκτα υλικά.** Οι σπινθήρες θα μπορούσαν να προκαλέσουν ανάφλεξη των υλικών αυτών.
- π) Μην χρησιμοποιείτε αξεσουάρ τα οποία απαιτούν ψυκτικά υγρά.** Η χρήση ψυκτικού νερού ή άλλου υγρού ενδέχεται να προκαλέσει θανατηφόρα ηλεκτροπληξία ή ηλεκτροσόκ.
- ρ) Το χέρι σας πρέπει να παραμένει στη λαβή όταν δουλεύετε.** Χρησιμοποιείτε πάντα τις βοηθητικές λαβές που παρέχονται με το εργαλείο. Η απώλεια ελέγχου μπορεί να προκαλέσει τραυματισμό.

## ΠΡΟΣΘΕΤΕΣ ΟΔΗΓΙΕΣ ΓΙΑ ΟΛΕΣ ΤΙΣ ΛΕΙΤΟΥΡΓΙΕΣ

- ‘Επιστροφή’ και σχετικές προειδοποιήσεις**  
Η ‘Επιστροφή’ είναι μια ξαφνική αντίδραση στο μάγκωμα ή σκάλωμα περιστρεφόμενου τροχού, ενισχυτικού γεμισμάτος, βούρτσας ή οποιουδήποτε άλλο αξεσουάρ. Το μάγκωμα ή το σκάλωμα προκαλεί γρήγορη παύση του περιστρεφόμενου εξαρτήματος το οποίο με τη σειρά του προκαλεί στο εκτός ελέγχου μηχανικό εργαλείο να εξαναγκαστεί σε αντίθετη κατεύθυνση από την επιστροφή του εξαρτήματος στο σημείο ενσφήνωσης. Π.χ., αν ένας λειαντικός τροχός σκαλώσει ή μαγκώσει στο αντικείμενο προς επεξεργασία, η αιχμή του τροχού που εισάγεται μέσα στο σημείο εισχώρησης μπορεί να σκάψει μέσα στην επιφάνεια του υλικού και να προκαλέσει στον τροχό να βγει ή να εκτιναχθεί προς τα έξω. Ο τροχός ενδέχεται είτε να πεταχτεί προς την κατεύθυνση ή μακριά από το χειριστή, ανάλογα με την κατεύθυνση κίνησης του τροχού στο σημείο ενσφήνωσης. Οι λειαντικοί τροχοί ενδέχεται επίσης να σπάσουν κάτω από αυτές τις συνθήκες.
- Η ‘επιστροφή’ είναι το αποτέλεσμα κακής χρήσης ή/και λανθασμένων διαδικασιών ή συνθηκών λειτουργίας του μηχανικού εργαλείου και μπορεί να αποφευχθεί λαμβάνοντας τις κατάλληλες προφυλάξεις όπως αναφέρεται στη συνέχεια:
- α) Να κρατάτε σταθερά και γερά το μηχανικό εργαλείο και να τοποθετείτε το σώμα και το βραχιόνι σας με τρόπο που να σας επιτρέπει να αντιστέκεστε στις δυνάμεις ‘επιστροφής’.** Να χρησιμοποιείτε πάντα βοηθητικό χερούλι, εάν παρέχεται, για μέγιστο έλεγχο πάνω στις αντιδράσεις επιστροφής ή στροφορμής κατά την εκκίνηση. Ο χειριστής μπορεί να ελέγξει τις αντιδράσεις στροφορμής ή τις δυνάμεις επιστροφής, εάν έχουν ληφθεί οι κατάλληλες προφυλάξεις.
- β) Μην τοποθετείτε ποτέ το χέρι σας κοντά στο περιστρεφόμενο εξάρτημα.** Το εξάρτημα ενδέχεται να κάνει ‘επιστροφή’ προς το χέρι σας.
- γ) Μην τοποθετείτε το σώμα σας στην περιοχή όπου το μηχανικό εργαλείο θα κινηθεί εάν συμβεί επιστροφή.** Η επιστροφή θα οδηγήσει το εργαλείο σε αντίθετη κατεύθυνση από αυτήν της κίνησης του τροχού στο σημείο ενσφήνωσης.
- δ) Να είστε ιδιαίτερα προσεκτικοί όταν εργάζεστε σε γωνίες, οξείες γωνίες κλπ., αποφεύγοντας την αναπήδηση και την ενσφήνωση του εξαρτήματος.** Οι γωνίες, οι οξείες αιχμές ή η αναπήδηση έχουν την τάση να σκαλώνουν το περιστρεφόμενο εξάρτημα και να προκαλούν απώλεια ελέγχου ή επιστροφή.
- ε) Μην προσαρτάτε λεπίδες χάραξης ξύλου για το αλυσοπρίονο ή μία οδοντωτή λεπίδα πριονιού.** Κάθε λεπίδα προκαλεί ένα συχνό κλώτσημα και

## ΠΡΟΣΘΕΤΕΣ ΟΔΗΓΙΕΣ ΑΣΦΑΛΕΙΑΣ ΓΙΑ ΛΕΙΤΟΥΡΓΙΕΣ ΤΡΟΧΙΣΜΑΤΟΣ ΚΑΙ ΚΟΠΗΣ

Προειδοποιήσεις ασφαλείας για τροχιστικές και λειαντικές κοπτικές εργασίες:

- a) **Να χρησιμοποιείτε μόνο τύπους τροχών που συνιστώνται για το μηχανικό εργαλείο σας και το προστατευτικό περίβλημα που είναι σχεδιασμένο για τον συγκεκριμένο τροχό.** Τροχοί για τους οποίους δεν είναι σχεδιασμένο το μηχανικό εργαλείο δεν μπορούν να προστατευτούν επαρκώς και δεν είναι ασφαλείς.
- b) **Κυρτοί δίσκοι λείανσης πρέπει να συναρμολογούνται κατά τέτοιο τρόπο, ώστε η επιφάνεια λείανσης να καλύπτεται από τον προφυλακτήρα.** Αντικανονικά συναρμολογημένοι δίσκοι λείανσης, των οποίων η επιφάνεια λείανσης δεν καλύπτεται από τον προφυλακτήρα, δεν μπορούν να θωρακιστούν επαρκώς.
- c) **Το προστατευτικό περίβλημα πρέπει να προσαρτηθεί με ασφάλεια στο μηχανικό εργαλείο και να τοποθετηθεί για μέγιστη ασφάλεια, έτσι ώστε να εκτίθεται προς την πλευρά του χειριστή το ελάχιστο δυνατό μέρος του τροχού.** Ο προφυλακτήρας συμβάλλει στην προστασία του χειριστή από θραύσματα, ακούσια επαφή με το λειαντικό εξάρτημα καθώς και από σπινθηρισμό που θα μπορούσε να αναφλέξει τα ρούχα του.
- d) **Οι τροχοί πρέπει να χρησιμοποιούνται μόνο για τις εφαρμογές που συνιστάται. Για παράδειγμα: μην τροχίζετε με την πλευρά κοπής του τροχού.** Οι λειαντικοί τροχοί κοπής προορίζονται για περιφερειακό τρόχισμα, οι πλευρικές δυνάμεις που εφαρμόζονται σε αυτούς τους τροχούς ενδέχεται να προκαλέσουν το θρυμματισμό τους.
- e) **Να χρησιμοποιείτε πάντα φλάντζες τροχού χωρίς ζημιές, με το σωστό μέγεθος και σχήμα για τον επιλεγμένο τροχό.** Οι σωστές φλάντζες τροχού υποστηρίζουν τον τροχό και μειώνουν έτσι την πιθανότητα να σπάσει ο τροχός. Οι φλάντζες κοπτικών τροχών ενδέχεται να διαφέρουν από τις φλάντζες τροχιστικών τροχών.
- f) **Μην χρησιμοποιείτε φθαρμένους τροχούς από μεγαλύτερα μηχανικά εργαλεία.** Οι τροχοί οι οποίοι προορίζονται για μεγαλύτερα μηχανικά εργαλεία δεν είναι κατάλληλοι για τις υψηλότερες ταχύτητες ενός μικρότερου τροχού και μπορεί να διαλυθούν σε κομμάτια.

## ΠΡΟΣΘΕΤΕ ΟΔΗΓΙΕΣ ΑΣΦΑΛΕΙΑΣ ΓΙΑ ΛΕΙΤΟΥΡΓΙΕΣ ΚΟΠΗΣ

ΠΡΟΣΘΕΤΕΣ ΠΡΟΕΙΔΟΠΟΙΗΣΕΙΣ ΑΣΦΑΛΕΙΑΣ  
ΕΙΔΙΚΑ ΓΙΑ ΛΕΙΑΝΤΙΚΕΣ ΚΟΠΤΙΚΕΣ ΕΡΓΑΣΙΕΣ:

- a) **Μην 'φρακάρετε' τον κοπτικό τροχό ή εφαρμόσετε υπερβολική πίεση. Μην προσαθείτε να κάνετε κοπή σε υπερβολικό βάθος.** Η εξάσκηση υπερβολικής πίεσης στον τροχό αυξάνει το φορτίο και την επιδεκτικότητα σε συστροφή ή ενσφήνωση του τροχού στο σημείο κοπής και την πιθανότητα 'επιστροφής' ή θραύσης του τροχού.
- b) **Μην τοποθετείτε το σώμα σας στην ίδια ευθεία με και πίσω από τον περιστρεφόμενο τροχό.** Όταν ο τροχός, στο σημείο λειτουργίας, απομακρύνεται από το σώμα σας, η πιθανή 'επιστροφή' ενδέχεται να ωθήσει τον περιστρεφόμενο τροχό και το μηχανικό εργαλείο κατευθείαν επάνω σας.
- c) **Όταν συμβαίνει ενσφήνωση του τροχού ή όταν διακόπεται για οποιονδήποτε λόγο η κοπή, απενεργοποιήστε το μηχανικό σας εργαλείο και κρατήστε το ακίνητο εωσότου ο τροχός να σταματήσει τελείως.** Μην προσπαθήσετε ποτέ να αφαιρέσετε τον τροχό κοπής ενώ ο τροχός κινείται γιατί ενδέχεται να συμβεί 'επιστροφή'. Εξετάστε προσεκτικά και κάντε διορθωτικές ενέργειες για να μειώσετε τις πιθανότητες ενσφήνωσης του τροχού.
- d) **Μην επανεκκινείτε τη λειτουργία κοπής πάνω στο αντικείμενο προς επεξεργασία. Να περιμένετε ο τροχός να φτάσει στη μέγιστη ταχύτητα και να εκτελέσετε προσεκτικά την κοπή.** Ο τροχός ενδέχεται να σφηνώσει, να αναπηδήσει ή να κάνει 'επιστροφή' εάν το μηχανικό εργαλείο κάνει επανεκκίνηση πάνω στο αντικείμενο προς επεξεργασία.
- e) **Παρέχετε στήριξη στα πάνελ ή σε οποιονδήποτε μεγάλο αντικείμενο προς επεξεργασία για να ελαχιστοποιήσετε τον κίνδυνο ενσφήνωσης του τροχού και επιστροφής.** Μεγάλα αντικείμενα προς επεξεργασία τείνουν να καμπυλώνονται κάτω από το ίδιο τους το βάρος. Τα στηρίγματα πρέπει να τοποθετηθούν κάτω από το αντικείμενο προς επεξεργασία κοντά στη γραμμή κοπής και κοντά στην αιχμή του αντικειμένου προς επεξεργασία και στις δύο πλευρές του τροχού.
- f) **Να είστε ιδιαίτερα προσεκτικοί όταν κάνετε 'κοπή τσέπης' σε υπάρχοντες τοίχους ή σε άλλες τυφλές περιοχές.** Ο προσεγγίζων τροχός μπορεί να κόψει σωλήνες αερίου ή νερού, ηλεκτρικές καλωδιώσεις ή αντικείμενα τα οποία μπορεί να προκαλέσουν 'επιστροφή'.

# ΠΡΟΣΘΕΤΟΙ ΚΑΝΟΝΕΣ ΑΣΦΑΛΕΙΑΣ ΓΙΑ ΤΟΝ ΓΩΝΙΑΚΟ ΤΡΟΧΟ

**ΠΡΟΕΙΔΟΠΟΙΗΣΗ:** Βεβαιωθείτε ότι η χειρολαβή βρίσκεται στη θέση κλειδώματος πριν θέσετε σε λειτουργία τον γωνιακό τροχό. Η περιστροφή της λαβής επιτρέπεται μόνο σε κατάσταση μη λειτουργίας.

## ΣΥΜΒΟΛΑ

	Για περιορισμό των κινδύνων τραυματισμού, ο χρήστης πρέπει να διαβάσει το εγχειρίδιο οδηγιών
	Μόνωση
	Προσοχή
	Φοράτε Προστατευτικά για τα Αυτιά
	Φοράτε Προστατευτικά για τα Μάτια
	Φοράτε Μάσκα για την Σκόνη
	Φορέστε προστατευτικά γάντια
	Βεβαιωθείτε ότι το εργαλείο δεν είναι συνδεδεμένο στην πρίζα πριν αλλάξετε αξεσουάρ.
	Κλειδώμα
	Ξεκλειδώμα
 	Απόβλητα σχετικά με ηλεκτρισμό δεν πρέπει να πετάγονται μαζί με τα απόβλητα του νοικοκυριού. Παρακαλούμε να τα ανακυκλώνετε εκεί όπου υπάρχουν οι απαραίτητες εγκαταστάσεις. Ελέγξτε στον τοπικό σας δήμο ή στους πωλητές για συμβουλές ανακύκλωσης.


## 2. ΛΙΣΤΑ ΣΥΣΤΑΤΙΚΩΝ

1.	ΒΟΗΘΗΤΙΚΗ ΛΑΒΗ
2.	ΚΟΥΜΠΙ ΠΕΡΙΣΤΡΟΦΗΣ
3.	ΔΙΑΚΟΠΤΗΣ ON/OFF
4.	ΚΟΥΜΠΙ ΑΣΦΑΛΙΣΗΣ
5.	ΚΑΛΥΜΜΑ ΒΟΥΡΤΣΑΣ
6.	ΠΡΟΣΤΑΤΕΥΤΙΚΟ ΤΡΟΧΟΥ ΓΙΑ ΤΡΟΧΙΣΜΑ
7.	ΔΙΣΚΟΙ *
8.	ΚΟΥΜΠΙ ΚΛΕΙΔΩΜΑΤΟΣ ΑΞΟΝΑ
9.	ΚΛΕΙΔΙ ΔΙΣΚΟΥ
10.	ΕΣΩΤΕΡΙΚΗ ΡΟΔΕΛΑ
11.	ΕΞΩΤΕΡΙΚΗ ΡΟΔΕΛΑ
12.	ΠΡΟΣΤΑΤΕΥΤΙΚΟ ΤΡΟΧΟΥ ΓΙΑ ΚΟΠΗ
13.	ΜΟΧΛΟΣ ΚΛΕΙΔΩΜΑΤΟΣ ΠΡΟΦΥΛΑΚΤΗΡΑ

\*Δεν περιλαμβάνονται στο βασικό εξοπλισμό όλα τα εξαρτήματα που απεικονίζονται ή περιγράφονται.

## ΤΕΧΝΙΚΕΣ ΠΛΗΡΟΦΟΡΙΕΣ

Τύπος **WX709 WX709.X (700-749 -αρακτηρισμός μηχανήματος, αντιπροσωπ. Γωνιακός τροχιστής)**

	<b>WX709 WX709.X*</b>
Βολτ	230-240 V~50 Hz
Τάση Λειτουργίας	2350 W
Ταχύτητα χωρίς φορτίο	6500 /min
Μέγεθος δίσκου	230 mm
Εσωτερική διάμετρος δίσκου	22.2 mm
Σπείρωμα άξονα	M14
Διάμετρος τροχών λείανσης	230 mm
Μέγ. πάχος τροχών λείανσης	6 mm
Διπλ ή Μόνωση	 /II
Βάρος	5.7 kg

\* X=1-999, A-Z, M1-M9 χρήση μόνο για διαφορετικούς

πελάτες, δεν υπάρχουν ασφαλείς σχετικές διαφορές μεταξύ αυτών των μοντέλων.

Προτείνουμε να αγοράσετε όλα τα αξεσουάρ από το κατάστημα που αγοράσατε το εργαλείο. Επιλέξτε τον βαθμό ποιότητας σύμφωνα με την δουλειά που σκοπεύετε να κάνετε. Ανατρέξτε στη συσκευασία του αξεσουάρ για περισσότερες πληροφορίες. Το προσωπικό του καταστήματος μπορεί επίσης να βοηθήσει και να συμβουλευθεί.

## ΠΛΗΡΟΦΟΡΙΕΣ ΘΟΥΡΥΒΟΥ

Μετρημένη ηχητική πίεση  $L_{PA}$ : 96 dB(A)

Μετρημένη ηχητική δύναμη  $L_{WA}$ : 107 dB(A)

$K_{PA}$  &  $K_{WA}$  3.0dB(A)

Φοράτε Προστατευτικά για τα Αυτιά. 


## ΠΛΗΡΟΦΟΡΙΕΣ ΚΡΑΔΑΣΜΩΝ

Ολικές τιμές δονήσεων (tri-ax vector sum)  
καθορισμένες βάσει του EN 60745:

Λείανση επιφανειών	Τιμή εκπομπής κραδασμών: $a_{h,AG} = 8.4 \text{ m/s}^2$ Αβεβαιότητα $K = 1.5 \text{ m/s}^2$
--------------------	---

– η δηλωθείσα συνολική τιμή κραδασμών έχει μετρηθεί σύμφωνα με τυποποιημένη μέθοδο δοκιμής και μπορεί να χρησιμοποιηθεί για τη σύγκριση ενός εργαλείου με ένα άλλο,

– η δηλωθείσα συνολική τιμή κραδασμών μπορεί, επίσης, να χρησιμοποιηθεί σε μια προκαταρκτική εκτίμηση της έκθεσης.

 **ΠΡΟΣΟΧΗ:** Η τιμή εκπομπής κραδασμών κατά τη διάρκεια της ενεργούς χρήσης του εργαλείου ενδέχεται να διαφέρει από την τιμή που αναφέρεται ανάλογα με τους τρόπους με τους οποίους χρησιμοποιείται το εργαλείο, ανάλογα με τα ακόλουθα παραδείγματα και άλλες μεταβλητές στον τρόπο χρήσης του εργαλείου:

Πώς χρησιμοποιείται το εργαλείο και τα υλικά που είναι τα αντικείμενα κοπής.

Αν το εργαλείο βρίσκεται σε καλή κατάσταση και συντηρείται σωστά

Αν χρησιμοποιείται το κατάλληλο εξάρτημα για το εργαλείο και αν είναι αιχμηρό και σε καλή κατάσταση.

Πόσο σφικτή είναι η λαβή στο χερούλι και αν χρησιμοποιούνται αξεσουάρ κατά των κραδασμών.

Αν χρησιμοποιείται το εργαλείο όπως έχει προδιαγραφεί από το σχεδιασμό του και τις παρούσες οδηγίες.

**Το εργαλείο αυτό ενδέχεται να προκαλέσει σύνδρομο κραδασμού χεριού-βραχίονα εάν η χρήση του δεν ελέγχεται σωστά.**



**ΠΡΟΣΟΧΗ:** Για να υπάρχει ακρίβεια, η

εκτίμηση του επιπέδου έκθεσης σε πραγματικές συνθήκες χρήσης πρέπει να λάβει επίσης υπόψη όλα τα μέρη του κύκλου λειτουργίας όπως τις φορές που το εργαλείο απενεργοποιείται καθώς και όταν λειτουργεί σε κενό αλλά δεν κάνει πραγματικά την εργασία. Αυτό μπορεί να μειώσει σημαντικά το επίπεδο έκθεσης μέσα στη συνολική περίοδο λειτουργίας.

Βοήθεια στην ελαχιστοποίηση του κινδύνου έκθεσης σε κραδασμούς.

Να χρησιμοποιείτε ΠΑΝΤΑ αιχμηρά κοπίδια, τρυπάνια και λεπίδες.

Να συντηρείτε το εργαλείο σύμφωνα με τις παρούσες οδηγίες και να το διατηρείτε καλά γρασαρισμένο (εκεί που ισχύει)

Εάν το εργαλείο πρόκειται να χρησιμοποιείται τακτικά τότε επενδύστε σε αξεσουάρ κατά των κραδασμών.

Σχεδιάστε το πρόγραμμα της εργασίας σας έτσι ώστε να διαιωράσετε τη χρήση εργαλείων υψηλών κραδασμών μέσα σε μερικές μέρες.

## 4. ΧΡΗΣΗ ΣΥΜΦΩΝΑ ΜΕ ΤΟΝ ΠΡΟΟΡΙΣΜΟ

Το μηχάνημα προορίζεται για την κοπή, το ξεχόντρισμα και το βούρτσισμα υλικών από μέταλλο και πετρώματα χωρίς τη χρήση νερού. Για την κοπή μετάλλων πρέπει να χρησιμοποιήσετε ένα ειδικό προφυλακτήρα κοπής (ειδικό εξάρτημα).

## 5. ΥΠΟΔΕΪΞΕΙΣ ΓΙΑ ΤΗΝ ΕΚΤΈΛΕΣΗ ΕΡΓΑΣΪΩΝ



**Σημείωση:** Πριν χρησιμοποιήσετε το εργαλείο διαβάστε το βιβλίο οδηγιών προσεκτικά.

### ΣΥΝΑΡΜΟΛΟΓΗΣΗ ΚΑΙ ΛΕΙΤΟΥΡΓΙΑ

Στόχος ενέργειας	Εικόνα
<b>ΣΥΝΑΡΜΟΛΟΓΗΣΗ</b>	
ΕΓΚΑΤΑΣΤΑΣΗ ΤΗΣ ΒΟΗΘΗΤΙΚΗΣ ΛΑΒΗΣ	Βλ. Εικ. Α
Συναρμολόγηση δίσκου ξεχονδρίσματος/κοπής	Βλ. Εικ. Β1,Β2,Β3

## ΡΥΘΜΙΣΗ ΠΡΟΦΥΛΑΚΤΗΡΑ

**Σημείωση: Για τις εργασίες με δίσκους λείανσης ή κοπής, πρέπει να είναι προσαρτημένος ο προστατευτικός προφυλακτήρας. Χρησιμοποιείτε το σωστό τύπο δίσκου για κάθε εφαρμογή. Αν πρόκειται να εκτελέσετε εργασίες κοπής με το ηλεκτρικό εργαλείο, πρέπει να προσαρτήσετε έναν προφυλακτήρα, ειδικά σχεδιασμένο για τη συγκεκριμένη λειτουργία.**

Με το κωδικοποιημένο έκκεντρο άκροστον προφυλακτήρα εξασφαλίζεται, ότι στον εκάστοτε τύπο μηχανήματος μπορεί να συναρμολογηθεί μόνο ο αντίστοιχος κατάλληλος προφυλακτήρας. Ανοίξτε το μοχλό σύσφιξης. Τοποθετήστε τον προφυλακτήρα με το κωδικοποιημένο έκκεντρο άκρο στην αντίστοιχη κωδικοποιημένη εγκοπή στο λαϊμό του άξονα της κεφαλής του μηχανήματος και γυρίστε τον στην κατάλληλη θέση (θέση εργασίας). Για να στερεώσετε τον προφυλακτήρα Κλείστε το μοχλό σύσφιξης.

Η κλειστή πλευρά του προφυλακτήρα πρέπει να «δείχνει» πάντοτε προς το χειριστή.

**ΣΗΜΕΙΩΣΗ:** Με ανοιχτό μοχλό σύσφιξης, η βίδα ρύθμισης του σφιγκτήρα μπορεί να ρυθμιστεί ώστε να διασφαλιστεί η ασφαλής σύσφιξη του προστατευτικού μετά το τελικό κλείσιμο του μοχλού σύσφιξης.

### ΛΕΙΤΟΥΡΓΙΑ

ΔΙΑΚΟΠΤΗΣ ΚΥΛΙΣΗΣ ON/OFF

Βλ. Εικ. D

Περιοχές λαβής χειρός

Βλ. Εικ. E

Ξεχόνδρισμα



**Προσοχή!** Ποτέ μην χρησιμοποιείτε δίσκο κοπής για ξεχόνδρισμα.

ΚΟΠΗ

Βλ. Εικ. F

Χρήση της λαβής περιστροφής

Βλ. Εικ. G

Αντικατάσταση των βουρτσών

Βλ. Εικ. H

Βλ. Εικ. C

την κοπή μετάλλων, δηλαδή για την αφαίρεση κεφαλών βιδών, όσο και για τον καθαρισμό/προετοιμασία επιφανειών, δηλαδή πριν και μετά από εργασίες συγκόλλησης.

- 2 Διαφορετικοί τύποι τροχού/κοπτικού θα επιτρεφθούν στον γωνιακό τροχό να καλύψει διάφορες ανάγκες. Τυπικά, διατίθενται τροχοί/κοπτικά για μαλακό χάλυβα, ανοξείδωτο χάλυβα, πέτρα και τούβλα. Διατίθενται αδαμαντοφόροι δίσκοι για πολύ σκληρά υλικά.
- 3 Εάν ο τροχός χρησιμοποιηθεί σε μαλακά μέταλλα, όπως το αλουμίνιο, ο τροχός θα μπλοκάρει και θα πρέπει να αλλάχθει σύντομα.
- 4 Ανά πάσα στιγμή, αφήστε τον τροχό να κάνει τη δουλειά του, μην τον πιέζετε και μην ασκείτε υπερβολική πίεση στον τροχό/δίσκο.
- 5 Εάν κόβετε μια σχισμή βεβαιωθείτε ότι ο κόφτης παραμένει ευθυγραμμισμένος με την σχισμή, γιατί η συστροφή του κόφτη μπορεί να προκαλέσει θρυμματισμό του δίσκου. Εάν κόβετε μέσα από λεπτό φύλλο επιτρέψτε μόνο το υλικό, γιατί η υπερβολική χείσδυση μπορεί να αυξήσει την πιθανότητα πρόκλησης ζημιάς.
- 6 Εάν κόβετε πέτρα ή τούβλα, συνιστάται η χρήση συσκευής απομάκρυνσης σκόνης.

## 6. ΣΥΝΤΗΡΗΣΗ

**Αφαιρέστε το φινι από την πρίζα πριν να πραγματοποιήσετε ρυθμίσεις, επισκευές ή συντήρηση.**

Δεν υπάρχουν επισκευαζόμενα μέρη από τον χρήστη στο ηλεκτρικό σας εργαλείο. Ποτέ μην χρησιμοποιείτε νερό ή χημικά καθαριστικά για να καθαρίσετε το ηλεκτρικό σας εργαλείο. Καθαρίστε το με ένα στεγνό ύφασμα. Πάντα να αποθηκεύετε το ηλεκτρικό σας εργαλείο σε ξηρό μέρος. Κρατάτε τις τρύπες εξεαριισμού καθαρές. Κρατάτε όλα τα σημεία που ελέγχουν την εργασία καθαρά από σκόνη. Αν δείτε κάποιες σπίθες μέσα στα σημεία εξεαριισμού, είναι φυσικό και δεν θα βλάψουν το εργαλείο σας. Αν έχει καταστραφεί το καλώδιο τροφοδοσίας, θα πρέπει να αντικατασταθεί από τον κατασκευαστή, το προσωπικό του σέρβις ή εξουσιοδοτημένους τεχνικούς για να αποφευχθούν οι κίνδυνοι.

## 7. ΑΝΤΙΜΕΤΩΠΙΣΗ ΠΡΟΒΛΗΜΑΤΩΝ

Αν και ο νέος γωνιακός τροχιστής σας είναι πραγματικά εξαιρετικά απλός στη λειτουργία, σε περίπτωση που αντιμετωπίσετε προβλήματα ελέγξτε τα ακόλουθα:

1. Εάν ο τροχός σας δεν λειτουργεί, ελέγξτε τη παροχή ρεύματος στο κεντρικό βύσμα.
2. Σε περίπτωση που ο τροχός του τροχιστή σας κλυδωνίζεται ή έχει κραδασμούς, βεβαιωθείτε ότι η εξωτερική φλάντζα είναι σφιγμένη καλά και πως ο τροχός έχει τοποθετηθεί σωστά στην πλάκα της φλάντζας.

## ΥΠΟΔΕΙΞΕΙΣ ΕΡΓΑΣΙΑΣ ΓΙΑ ΤΟΝ ΓΩΝΙΑΚΟ ΣΑΣ ΤΡΟΧΟ

- 1 Ο γωνιακός σας τροχός είναι χρήσιμος τόσο για

3. Σε περίπτωση που υπάρχουν ενδείξεις ότι ο τροχός έχει καταστραφεί, μην τον χρησιμοποιήσετε, καθώς ενδέχεται να θρυμματιστεί. Αφαιρέστε τον και τοποθετήστε νέο τροχό. Απορρίψτε τους παλιούς τροχούς συνετά.
4. Εάν εργάζεστε με αλουμίνιο ή παρόμοιο μαλακό κράμα, ο τροχός θα φράξει σύντομα και δεν θα τροχίζει αποδοτικά.

## 8. ΠΡΟΣΤΑΣΙΑ ΤΟΥ ΠΕΡΙΒΑΛΛΟΝΤΟΣ



Απόβλητα σχετικά με ηλεκτρισμό δεν πρέπει να πετάνονται μαζί με τα απόβλητα του νοικοκυριού. Παρακαλούμε να ανακυκλώνετε εκεί όπου υπάρχουν οι απαραίτητες εγκαταστάσεις. Ελέγξτε στον τοπικό σας δήμο ή στους πωλητές για συμβουλές ανακύκλωσης.

## 9. ΔΗΛΩΣΗ ΣΥΜΜΟΡΦΩΣΗΣ

Εμείς,  
Positec Germany GmbH  
Postfach 32 02 16, 50796 Cologne, Germany

Δηλώνουμε ότι το προϊόν,  
Περιγραφή **Worx υνιικός τροχιστής**  
Type **WX709 WX709.X (700-749**  
**-χαρακτηρισμός μηχανήματος, αντιπροσωπ.**  
**Γωνιακός τροχιστής)**  
Λειτουργία **περιφερειακή και πλευρική**  
**λείανση**

Συμμορφώνεται με τις παρακάτω Οδηγίες,  
**2006/42/EC, 2011/65/EU&(EU)2015/863**  
**2014/30/EU**

Πρότυπα συμμόρφωσης:  
**EN 55014-1, EN 55014-2, EN IEC 61000-3-2,**  
**EN 61000-3-3, EN 60745-1, EN 60745-2-3**

Το πρόσωπο που έχει εξουσιοδότηση να συντάξει το τεχνικό αρχείο,

**Όνομα: Marcel Filz**  
**Διεύθυνση: Positec Germany GmbH**  
**Postfach 32 02 16, 50796 Cologne, Germany**

2021/10/15

Allen Ding

Βοηθός Αρχιμηχανικός, Δοκιμές & Πιστοποιήσεις  
Positec Technology (China) Co., Ltd  
18, Dongwang Road, Suzhou Industrial  
Park, Jiangsu 215123, P. R. China

## TARTALOMJEGYZÉK

1. BIZTONSÁGI UTASÍTÁSOK
2. AZ ALKATRÉSZEK LISTÁJA
3. MŰSZAKI ADATOK
4. RENDELLETÉS
5. HASZNÁLATI UTASÍTÁSOK
6. KARBANTARTÁS
7. HIBAE LHÁRÍTÁS
8. KÖRNYEZETVÉDELEM
9. MEGFELELŐSÉGI NYILATKOZAT

## 1. BIZTONSÁGI UTASÍTÁSOK ELEKTROMOS KÉZISZERSZÁMOK BIZTONSÁGOS HASZNÁLATÁVAL KAPCSOLATOS ÁLTALÁNOS FIGYELMEZTETÉSEK



**FIGYELEM: Olvasson el minden biztonsági figyelmeztetést és valamennyi utasítást.**

A figyelmeztetések és utasítások figyelmen kívül hatása áramütést, tüzet és/vagy súlyos sérülést eredményezhet.

**Őrizzen meg minden figyelmeztetést és utasítást, a jövőben szüksége lehet ezekre.**

A figyelmeztetésekben használatos "elektromos kéziszerszám" kifejezés az ön hálózatról üzemeltetett (vezetékes) elektromos kéziszerszámára vagy akkumulátoros (vezeték nélküli) elektromos kéziszerszámára vonatkozik.

### 1. A MUNKATERÜLET BIZTONSÁGA

- a) **A munkaterületet tartsa tisztán és jól megvilágítva.** A zsúfolt vagy sötét munkaterület balesethez vezethet.
- b) **Ne üzemeltessen elektromos kéziszerszámot robbanékony légkörben, például gyúlékony folyadékok, gázok vagy por jelenléte mellett.** Az elektromos kéziszerszámok használata során szikrák keletkeznek, amelyek hatására a por vagy gáz kigyulladhat.
- c) **Elektromos kéziszerszámok működtetése közben tartsa távol a gyermekeket és bábmézőkódot.** A figyelem elterelése kontrollvesztést eredményezhet.

### 2. ELEKTROMOS BIZTONSÁG

- a) **Az elektromos kéziszerszámok dugójának**

illeszkednie kell a dugaljba. Soha, semmilyen módon ne módosítsa a dugót. Földelt elektromos kéziszerszámokkal ne használjon adaptert. Ha nem módosított dugókat és megfelelő dugaljat használ, azzal csökkenti az áramütés kockázatát.

- b) Ne érintse meg a földelt felületeket, például csöveket, radiátorokat, tűzhelyeket vagy hűtőszekrényeket.** Ha a test földelt, nagyobb az áramütés kockázata.
- c) Ne tegye ki esőnek vagy nedves körülményeknek az elektromos kéziszerszámokat.** Ha egy elektromos kéziszerszámba víz kerül, megnő az áramütés kockázata.
- d) Vigyázzon a szerszám kábelére. Soha ne hordozza, húzogassa vagy húzza ki az áramból az elektromos kéziszerszámot a kábelnél fogva. A kábelt tartsa távol a hőtől, olajtól, éles peremektől vagy mozgó részekről.** A sérült vagy összegubancolódott kábel növeli az áramütés kockázatát.
- e) Ha az elektromos kéziszerszámot szabadtérben üzemelteti, használjon külső használatra alkalmas hosszabbítót.** A külső használatra alkalmas kábel használatával csökken az áramütés kockázata.
- f) Ha elkerülhetetlen, hogy az elektromos kéziszerszámot nedves helyen működtesse, használjon maradékáram-működtetésű megszakító (RCD) védelemmel rendelkező áramforrást.** A maradékáram-működtetésű megszakító használata csökkenti az áramütés kockázatát.

### 3. SZEMÉLYI BIZTONSÁG

- a) Az elektromos kéziszerszám működtetése közben maradjon éber, figyeljen arra, amit csinál, és használja a józan eszét. Ne működtesse az elektromos kéziszerszámot, ha fáradt, illetve gyógyszerek, alkohol vagy drogok hatása alatt áll.** Egy pillanatnyi figyelmetlenség az elektromos kéziszerszámok működtetése közben súlyos sérülésekhez vezethet.
- b) Használjon személyi védőfelszereléseket. Mindig használjon szemvédelmet.** A személyi védőfelszerelés, például pormaszok, csúszásmentes biztonsági lábbeli, védősisak vagy szükség esetén hallásvédelem használatával csökkenthető a személyi sérülések kockázata.
- c) Kerülje el, hogy a szerszám véletlenül működésbe lépjen. Mielőtt az elektromos kéziszerszámot áramhoz csatlakoztatná, behelyezné az akkumulátort, felvenné vagy vinné a szerszámot ellenőrizze, hogy a kapcsoló "ki" helyzetbe legyen állítva.** Ha a szerszám hordozásakor ujját a kapcsolón tartja, vagy áram alá helyezi a bekapcsolt készüléket, az balesetekhez vezethet.

- d) Mielőtt az elektromos kéziszerszámot bekapcsolná, távolítsa el róla minden állítókulcsot.** Ha az elektromos kéziszerszám forgórészein állítókulcs marad, az személyi sérüléshez vezethet.
- e) Ne próbáljon túl messzire nyúlni. Mindig vigyázzon, hogy stabilan álljon, és őrizze meg egyensúlyát.** Ez segít, hogy váratlan helyzetekben urálja az elektromos kéziszerszámot.
- f) Viseljen megfelelő öltözéket. Ne viseljen bő ruházatot vagy hosszú ékszert. Haját, ruházatát és kesztyűjét tartsa a mozgó alkatrészekről távol.** A bő ruházatot, hosszú ékszert vagy hosszú haját bekapathatják a mozgó elemek.
- g) Ha a szerszámhoz porszívó vagy -gyűjtő csatlakoztatható, vigyázzon, hogy ezeket csatlakoztassa és megfelelően használja.** A porgyűjtő használatával csökkenthetőek a porral kapcsolatos kockázatok.

### 4. AZ ELEKTROMOS KÉZISZERSZÁM HASZNÁLATA ÉS KARBANTARTÁSA

- a) Ne erőltesse az elektromos kéziszerszámot. Mindig megfelelő elektromos kéziszerszámot használjon.** Ha a megfelelő elektromos kéziszerszámot használja, azzal a rendeltetési területen jobban és biztonságosabban elvégezhető a munka.
- b) Ne használja az elektromos kéziszerszámot, ha azt nem lehet kikapcsolni.** Ha egy elektromos kéziszerszám nem szabályozható a kapcsolóval, az veszélyes, és javításra szorul.
- c) Mielőtt a szerszámot beállítaná, tartozékokat cserélné, illetve tároláskor húzza ki a dugót az áramforrásból, és/vagy vegye ki az akkumulátort az elektromos kéziszerszámból.** Ezekkel a megelőző biztonsági intézkedésekkel csökken annak a kockázata, hogy a kéziszerszám véletlenül bekapcsoljon.
- d) Az elektromos kéziszerszámokat használaton kívül tartsa a gyermekektől távol, és ne hagyja, hogy a szerszámot vagy ezeket az utasításokat nem ismerő személyek működtessék azt.** A tapasztalatlan felhasználók kezében az elektromos kéziszerszámok veszélyessé válnak.
- e) Tartsa karban az elektromos kéziszerszámokat. Ellenőrizze, hogy a mozgó elemek megfelelően helyezkednek-e el és nem szorultak-e be, az alkatrészek épek, és semmilyen más hiba nincs kihatással az elektromos kéziszerszám működésére. Ha sérülést talál, használat előtt javíttassa meg a szerszámot.** A nem megfelelően karbantartott elektromos kéziszerszámok sok balesetet okoznak.
- f) A vágószerszámokat tartsa tisztán, és figyeljen, hogy élesek maradjanak.** A megfelelően karbantartott, éles vágószerszámok ritkábban akadnak meg, és egyszerűbben



irányíthatóak.

- g) Az elektromos kéziszerszámhoz, a kiegészítőket és fejeket használja a fenti utasításoknak megfelelően, figyelembe véve a munkakörülményeket és az elvégzendő munkát.** Ha az elektromos kéziszerszámot nem rendeltetészerűen használja, az veszélyhelyzetet teremthet.

## 5. SZERVIZ

- a) Az elektromos kéziszerszámot csak képzett szerelő javíthatja megfelelő cserealkatrészekkel.** Ez biztosítja az elektromos kéziszerszám biztonságos működését.

## BIZTONSÁGI UTASÍTÁSOK VALAMENNYI MŰVELETHEZ

### CSISZOLÁSRA VAGY CSISZOLÓ-DARABOLÓ MŰVELETEKRE VONATKOZÓ BIZTONSÁGI UTASÍTÁSOK:

- a) Ez az elektromos szerszám sarokcsiszolóként vagy darabolószerszámként használható. Ügyeljen minden figyelmeztető jelzésre, előírásra, ábrára és adatra, amelyet az elektromos kéziszerszámmal együtt megkapott.** Ha nem tartja be a következő előírásokat, akkor ez áramütéshez, tűzhöz és/vagy súlyos személyi sérülésekhez vezethet.
- b) Ezt az elektromos kéziszerszámot nem javasoljuk finomcsiszolóhoz, drótkéfézéshez és fénycsiszításra.** Az elektromos kéziszerszám számára elő nem irányzott használat veszélyeztetésekhez és személyi sérülésekhez vezethet.
- c) Ne használjon olyan tartozékokat, amelyeket a gyártó ehhez az elektromos kéziszerszámhoz nem irányzott elő és nem javasolt.** Az a tény, hogy a tartozékok rögzíteni tudja az elektromos kéziszerszámra, nem garantálja annak biztonságos alkalmazását.
- d) A betétszerszám megengedett fordulatszámának legalább akkorának kell lennie, mint az elektromos kéziszerszámon megadott legnagyobb fordulatszám.** A megengedettnél gyorsabban forgó tartozékok széttörhetnek és kirepülhetnek.
- e) A betétszerszám külső átmérőjének és vastagságának meg kell felelnie az Ön elektromos kéziszerszámán megadott méreteknél.** A hibásan méretezett betétszerszámokat nem lehet megfelelően eltakarni, vagy irányítani.
- f) A menetes betéttel ellátott betétszerszám menetének meg kell felelnie az orsó menetének. A karima segítségével befogásra kerülő betétszerszámok esetén a betétszerszám furatátmérőjének pontosan meg kell felelnie a karima befogási átmérőjének.** Az olyan betétszerszámok, amelyek nem kerülnek pontosan
- rögzítésre az elektromos kéziszerszámhoz, egyenletlenül forognak, erősen berezegenek és a készülék feletti uralom megszűnéséhez vezethetnek.
- g) Ne használjon megrongálódott betétszerszámokat. Vizsgálja meg minden egyes használat előtt a betétszerszámokat: ellenőrizze, nem pattogzott-e le és nem repedt-e meg a csiszolókorong, nincs-e eltörve, megrepedve, vagy nagy mértékben elhasználódva a csiszoló tányér. Ha az elektromos kéziszerszám vagy a betétszerszám leesik, vizsgálja felül, nem rongálódott-e meg, vagy használjon egy hibátlan betétszerszámot. Miután ellenőrizte, majd behelyezte a készülékbe a betétszerszámot, tartózkodjon Ön sajátmaga és minden más a közelben található személy is a forgo betétszerszám síkján kívül és járassa egy percig az elektromos kéziszerszámot a legnagyobb fordulatszámra. A megrongálódott betétszerszámok ezalatt a próbaidő alatt általában már széttörnek.**
- h) Viseljen személyi védőfelszerelést. Használjon az alkalmazásnak megfelelő teljes védőálarcot, szemvédőt vagy védőszemüveget. Amennyiben célszerű, viseljen porvédő álarcot, zajtompító fülvédőt, védő kesztyűt vagy különleges kötényt, amely távol tartja a csiszolószerszám- és anyagrézecskeket. Mindenképpen védje meg a szemét a kirepülő idegen anyagoktól, amelyek a különböző alkalmazások során keletkeznek.** A por- vagy védőálarcnak meg kell szűrnie a használat során keletkező port. Ha hosszú ideig ki van téve az erős zaj hatásának, elvesztheti a hallását.
- i) Ügyeljen arra, hogy a többi személy biztonságos távolságban maradjon az Ön munkaterületétől. Minden olyan személynek, aki belép a munkaterületre, személyi védőfelszerelést kell viselnie.** A munkadarab letört részei vagy a széttört betétszerszámok kirepülhetnek és a közvetlen munkaterületen kívül és személyi sérülést okozhatnak.
- j) Az elektromos kéziszerszámot csak a szigetelt fogantyúfelületeknél fogva tartsa, ha olyan munkát végez, amelynek során a betétszerszám feszültség alatt álló, kívülről nem látható vezetékekhez, vagy a készülék saját hálózati csatlakozó kábeljéhez érhet.** Ha a berendezés egy feszültség alatt álló vezetékhez ér, a berendezés fémrészei szintén feszültség alá kerülhetnek és áramütéshez vezethetnek.
- k) Tartsa távol a hálózati csatlakozó kábelt a forgó betétszerszámoktól.** Ha elveszti az uralmát az elektromos kéziszerszám felett, az átvághatja, vagy bekaphatja a hálózati csatlakozó kábelt és az Ön keze vagy karja is a forgó betétszerszámhoz érhet.
- l) Sohase tegye le az elektromos kéziszerszámot, mielőtt a betétszerszám**

**teljesen leállna.** A forgásban lévő betétszerszám megérintheti a támasztó felületet, és Ön ennek következtében könnyen elvesztheti az uralmát az elektromos kéziszerszám felett.

- m) Ne járassa az elektromos kéziszerszámot, miközben azt a kezében tartja.** A forgó betétszerszám egy véletlen érintkezés során bekaphatja a ruháját és a betétszerszám belefűrődhat a testébe.
- n) Tisztítsa meg rendszeresen az elektromos kéziszerszáma szellőzőnyílásait.** A motor ventilátorra beszívja a port a házba, és nagyobb mennyiségű fémpor felhalmozódása elektromos veszélyekhez vezethet.
- o) Ne használja az elektromos kéziszerszámot éghető anyagok közelében.** A szikrák ezeket az anyagokat meggyújthatják.
- p) Ne használjon olyan betétszerszámokat, amelyek alkalmazásához folyékony hűtőanyagra van szükség.** Víz és egyéb folyékony hűtőanyagok alkalmazása áramütéshez vezethet.
- q) Működtetés közben kezét a nyélen kell tartania.** Mindig használja a szerszámhoz mellékelte pótkarokat. A kontrollvesztés személyi sérülést eredményezhet.

## TOVÁBBI BIZTONSÁGI ELŐÍRÁSOK AZ ÖSSZES

### MŰVELETRE VONATKOZÓAN

Visszarugás és megfelelő figyelmeztető tájékoztatók A visszarugás a beékelődő vagy leblokkoló forgó betétszerszám, például csiszolókorong, csiszoló tányér, drótkéfe stb. Hirtelen reakciója. A beékelődés vagy leblokkolás a forgó betétszerszám hirtelen leállításához vezet. Ez az irányítatlan elektromos kéziszerszámot a betétszerszámnak a leblokkolási ponton fennálló forgási irányával szembeni irányban felgyorsítja.

Ha például egy csiszolókorong beékelődik, vagy leblokkol a megmunkálásra kerülő munkadarabban, a csiszolókorongnak a munkadarabba bemerülő éle leáll és így a csiszolókorong kiugorhat vagy egy visszarugást okozhat. A csiszolókorong ekkor a korongnak a leblokkolási pontban fennálló forgásirányától függően a kezelő személy felé, vagy attól távolodva mozog. A csiszolókorongok ilyenkor el is törhetnek.

Egy visszarugás az elektromos kéziszerszám hibás vagy helytelen használatának következménye. Ezt az alábbiakban leírásra kerülő megfelelő óvatossági intézkedésekkel meg lehet gátolni.

- a) Tartsa szorosan fogva az elektromos kéziszerszámot, és hozza a testét és a karjait olyan helyzetbe, amelyben fel tudja venni a visszaütő erőket. Használja mindig a pótfogantyút, amennyiben létezik, hogy a lehető legjobban tudjon uralkodni**

**a visszarugási erők, illetve felfutáskor a reakciós nyomaték felett.** A kezelő személy megfelelő óvatossági intézkedésekkel uralkodni tud a visszarugási és reakcióerők felett.

- b) Sohase vigye a kezét a forgó betétszerszám közelébe.** A betétszerszám egy visszarugás esetén a kezéhez érhet.
- c) Kerülje el a testével azt a tartományt, ahová egy visszarugás az elektromos kéziszerszámot mozgatja.** A visszarugás az elektromos kéziszerszámot a csiszolókorongnak a leblokkolási pontban fennálló forgásirányával ellentétes irányba hajtja.
- d) A sarkok és élek közelében különösen óvatosan dolgozzon, akadályozza meg, hogy a betétszerszám lepattanjon a munkadarabról, vagy beékelődjön a munkadarabba.** A forgó betétszerszám a sarkonál, élénél és lepattanás esetén könnyen beékelődik. Ez a készülék feletti uralom elvesztéséhez, vagy egy visszarugáshoz vezet.
- e) Ne használjon fafűrészlapot, vagy fogazott fűrészlapot.** Az ilyen betétszerszámok gyakran visszarugáshoz vezetnek, vagy a kezelő elvesztheti az uralmát az elektromos kéziszerszám felett.

## KÜLÖN FIGYELMEZTETÉSEK ÉS TÁJÉKOZTATÓ A CSISZOLÁSHOZ ÉS DARABOLÁSHOZ

**Csiszolásra vagy csiszoló-daraboló műveletekre vonatkozó konkrét biztonsági utasítások:**

- a) Kizárólag az Ön elektromos kéziszerszámaéhoz engedélyezett csiszolótesteket és az ezen csiszolótestekhez előírányított védőbőrákat használja.** A nem az elektromos kéziszerszámhoz szolgáló csiszolótesteket nem lehet kielégítő módon letakarni és ezért ezek nem biztonságosak.
- b) A peremes csiszolókorongokat úgy kell felszerelni, hogy a csiszolófelületük ne álljon ki a védőburkolat szélének a síkjából.** Egy szakszerűtlenül felszerelt csiszolókorongot, amely kiáll a védőburkolat szélésnek a síkjából, nem lehet kielégítő módon letakarni.
- c) A védőbőrát biztonságosan kell felszerelni az elektromos kéziszerszáma és úgy kell beállítani, hogy az a lehető legnagyobb biztonságot nyújtsa, vagyis a csiszolótestnek csak a lehető legkisebb része mutasson a kezelő felé. A hasítókorongok arra vannak méretezve, hogy az anyagot a korong élével munkálják le.** Az ilyen csiszolótestekre ható oldalirányú erő a csiszolótest töréséhez vezethet.
- d) A csiszolótesteket csak az azok számára javasolt célokra szabad használni. Például: Sohase csiszoljon egy hasítókorong oldalsó felületével.** A hasítókorongok arra vannak méretezve, hogy az anyagot a korong élével

munkálják le. Az ilyen csiszolótestekre ható oldalirányú erő a csiszolótest töréséhez vezethet.

**e) Használjon mindig hibátlan, az Ön által választott csiszolókorongnak megfelelő méretű és alakú befogókarimát. A megfelelő karimák megtámasztják a csiszolókorongot és így csökkentik a csiszolókorong eltörésének veszélyét.** A hasítókorongokhoz szolgáló karimák különbözhetnek a csiszolókorongok számára szolgáló karimáktól.

**f) Ne használjon nagyobb elektromos kéziszerszámokhoz szolgáló elhasznált csiszolótesteket.** A nagyobb elektromos kéziszerszámokhoz szolgáló csiszolókorongok nincsenek a kisebb elektromos kéziszerszámok magasabb fordulatszámára méretezve és széttörhetnek.

## TOVÁBBI BIZTONSÁGI UTASÍTÁSOK DARABOLÓ MŰVELETEKHEZ

További különleges figyelmeztető tájékoztató a daraboláshoz:

**a) Kerülje el a hasítókorong leblokkolását, és ne gyakoroljon túl erős nyomást a készülőkre. Ne végezzen túl mély vágást.** A túlterhelés megnöveli a csiszolótest igénybevételét és beékelődési vagy leblokkolási hajlamát és visszarugáshoz vagy a csiszolótest töréséhez vezethet.

**b) Kerülje el a forgó hasítókorong előtti és mögötti tartományt.** Ha a hasítókorongot a munkadarabban magától eltávolodva mozgatja, akkor az elektromos kéziszerszám a forgó koronggal visszarugás esetén közvetlenül Ön felé pattan.

**c) Ha a hasítókorong beékelődik, vagy ha Ön megszakítja a munkát, kapcsolja ki az elektromos kéziszerszámot és tartsa azt nyugodtan, amíg a korong teljesen leáll.** Sohase próbálja meg kihúzni a még forgo hasítókorongot a vágásból, mert ez visszarugáshoz vezethet. Határozza meg és hártsa el a beékelődés okát.

**d) Addig ne kapcsolja ismét be az elektromos kéziszerszámot, amíg az még benne van a munkadarabban. Várja meg, amíg a hasítókorong eléri a teljes fordulatszámát, mielőtt óvatosan folytatná a vágást.** A korong ellenkező esetben beékelődhet, kiugorhat a munkadarabból, vagy visszarugáshoz vezethet.

**e) Támassza fel a lemezeket vagy nagyobb munkadarabokat, hogy csökkentse egy beékelődő hasítókorong következtében fellépő visszarugás kockázatát. A nagyobb munkadarabok saját súlyuk alatt meghajolhatnak.** A munkadarabot mindkét oldalán, és mind a vágási vonal közelében, mind a szélénél alá kell támasztani.

**f) Ha egy meglévő falban, vagy más be nem látható területen hoz létre „táska alakú beszűrást”, járjon el különös óvatossággal.** Az anyagba behatoló hasítókorong gáz- vagy vízvezetékbe, elektromos vezetékbe vagy más tárgyakra ütközhet, amelyek visszarugást okozhatnak.

## TOVÁBBI BIZTONSÁGI SZABÁLYOK A SAROKCSISZOLÓHOZ

**!** **FIGYELEM:** A sarokcsiszoló elindítása előtt ellenőrizze, hogy a fogantyú rögzített helyzetben van-e. A fogantyú forgatása csak kikapcsolt állapotban megengedett.

## SZIMBÓLUMOK

	A sérülésveszély csökkentése érdekében a felhasználónak el kell olvasnia az utasításokat.
	Dupla szigetelés
	Figyelmeztetés
	Viseljen fülvédőt
	Viseljen szemvédőt
	Viseljen pormaszkot
	Viseljen védőszemüveget.
	A tartozékok cseréje előtt győződjön meg arról, hogy a szerszám villásdugója ki van húzva.
	Zár
	Nyit



A leselejtezett elektromos készülékek nem dobhatók ki a háztartási hulladékkal. Ha van a közelben elektromos hulladék gyűjtő udvar, vigye oda a készüléket. Az újrahasznosítási lehetőségekről tájékozódjon a helyi hatóságoknál vagy a kereskedőnél.

## 2. AZ ALKATRÉSZEK LISTÁJA

1. SEGÉDFOGANTYÚ
2. FORGATÓ GOMB
3. FŐKAPCSOLÓ
4. RETESZELŐ GOMB
5. KEFEVÉDŐ BURKOLAT
6. KORONGVÉDŐ CSISZOLÁSHOZ
7. PORCKORONG \*
8. ORSÓZÁR GOMB
9. VILLÁSKULCS
10. BEFOGÓ-ILLESZTŐPEREM
11. TÁM-ILLESZTŐPEREM
12. KORONGVÉDŐ VÁGÁSHOZ
13. VÉDŐBURKOLAT BEFOGÓKAR

\* Nem minden készülék tartalmazza valamennyi, a fentiekben felsorolt alkatrészt.

## 3. MŰSZAKI ADATOK

Típus WX709 WX709.X (700-749 - a szerszám jelölése, sarokcsiszolót jelöl)

	WX709 WX709.X**
Feszültség	230-240 V~50 Hz
Bemeneti tápellátás	2350 W
Üresjárat sebesség	6500 /min
Korongméret	230 mm
Korong furata	22.2 mm
Orsúmenet	M14
Csiszolókorongok átmérője	230 mm

A csiszolókorongok maximális vastagsága	6 mm
Védelmi osztály	□/II
Gép súlya	5.7 kg

\*\* X = 1-999, A-Z, M1-M9 csak különféle vásárlókra vonatkozik, ezek között a modellek között nincs biztonsági változás.

Javasoljuk, hogy a tartozékokat ugyanabból a boltból vásárolja meg, ahol a szerszámot is vásárolta. További részleteket a tartozék csomagolásán talál. Kérjen segítséget és tanácsot a bolti eladóktól.

## ZAJÉRTÉKEK

A-súlyozású hangnyomásszint  $L_{PA}$ : 96 dB(A)

A-súlyozású hangerő  $L_{WA}$ : 107 dB(A)

$K_{PA} & K_{WA}$  3.0dB(A)

Viseljen fülvédőt

## REZGÉSÉRTÉKEK

Az EN60745 szabvány szerint meghatározott összes rezgés (háromtengelyű vektoriális összeg) a következő:

Felület csiszolása	Rezgés kibocsátás: $a_{n,AG} = 8.4 \text{ m/s}^2$
	Bizonytalanság $K = 1.5 \text{ m/s}^2$

A vibráció és a zaj bejelentett összértékét szabványos mérési módszerrel állapították meg, és ezeket az értékeket két szerszám összehasonlításához is fel lehet használni.

A vibráció és a zaj bejelentett összértékeit a rezgéseknek és zajrészletnek való kitettség előzetes felbecsléséhez is fel lehet használni.



**FIGYELEM:** A kéziszerszám aktuális használatakor mérhető vibráció és zajkibocsátási értékek eltérhetnek a bejelentett értékektől, mert nagyban függnek a szerszám használati módjától és a megmunkált alkatrész típusától. Íme néhány példa és eltérő érték a szerszám használatától függően:

Hogyan használják a szerszámot, milyen anyagokat vágnak vagy fúrnak.

Az eszköz jó állapotban van-e, megfelelően karbantartják-e.

Megfelelő tartozékokat használnak-e az eszközhöz, vigyáznak-e, hogy éles legyen, és jó állapotban

maradjon.

A fogantyú megragadásának erősségétől és az esetleg használt vibrációs- és zajcsökkentő tartozék típusától. A szerszámot rendeltetés szerűen, kialakításának és a jelen utasításoknak megfelelően használják-e.

**Ha a szerszámot nem kezelik megfelelően, kéz- kar vibrációs szindrómát okozhat.**



**FIGYELEM:** A pontosság érdekében az expozíciós szint becslött értékéhez a valós használati körülmények között figyelembe kell venni a működési ciklus valamennyi elemét, így azt az időt is, amikor a szerszám ki van kapcsolva, és amikor üresjáratban működik. Ez a teljes munkaidőszak viszonylatában jelentősen csökkentheti az expozíciós szintet.

A vibrációnak és zajnak való kitétség kockázatának csökkentése.

MINDIG éles vésőt, pengét, és hegyes fúrófejet használjon.

Az eszközt jelen utasításoknak megfelelően tartsa karban, és vigyázzon a megfelelő kenésre (ahol erre szükség van).

Ha a szerszám rendszeres használatát tervezik, akkor megéri a vibráció- és zajcsökkentő tartozékok beszerzése.

Úgy tervezze meg a munkáját, hogy a magas rezgésszámú eszközök használatát igénylő feladatokat több napra ossza el.

## 4. RENDELTETÉS

Ez az elektromos kéziszerszám fém- és kőanyagok víz alkalmazása nélkül való darabolására, nagyoló csiszolására és kefélésére szolgál. Fémek darabolásához egy a darabolásra szolgáló speciális védőbúrát (külön tartozék) kell használni.

## 5. HASZNÁLATI UTASÍTÁSOK



**MEGJEGYZÉS:** Mielőtt a szerszámot használná, olvassa el figyelmesen az utasításokat.

### ÖSSZESZERELÉS ÉS MŰKÖDÉS

Művelet	Ábra
<b>MŰKÖDTETÉS ELŐTT</b>	
A PÓTKAR beszerelése	Lásd A. Ábra
A csiszoló-/vágólapok összeszerelése	Lásd B1, B2, B3. Ábra

A korongvédőlap beállítása  
**MEGJEGYZÉS: Ha csiszoló- vagy vágókorongokkal dolgozik, fel kell szerelnie akorongvédőlapot. Mindig a munkához megfelelő tárcsatípust használja. Ha vágási műveletet végez vele, ehhez megfelelő védőburkolatot kell felszerelnie.**

Ha csiszoló- vagy vágókorongokkal dolgozik, fel kell szerelnie akorongvédőlapot.

A korongvédőlap kódolása biztosítja, hogy csak a szerszám típusának megfelelő védőlapot lehessen beszerelni.

Nyissa fel a rögzítőkart. Helyezze a korongvédőlapot a kódolt kiálló résszel a kódolt vajatba a készülék fejrészen lévő orsón, és forgassa el a kívánt helyzetbe (munkahelyzetbe).

A korongvédőlap rögzítéséhez zárja le a rögzítőkart.

**A korongvédőlap lezárt oldalának mindig a működtető felé kell néznie.**

**MEGJEGYZÉS:** Nyitott befogókkal a befogatás-beállító csavar állítható, hogy a befogókár végleges bezárása után a védőburkolat biztonságosan rögzüljön.

Lásd C. Ábra

### MŰKÖDÉS

101

A be-/kikapcsoló használata

Lásd D. Ábra

Markolati részek

Lásd E. Ábra

Durva csiszolás



**VIGYÁZATI!** Soha ne használjon vágólapot durva csiszoláshoz.

Vágás

Lásd F. Ábra

A forgókar használata

Lásd G. Ábra

A kefék cseréje

Lásd H. Ábra

## MUNKAVÉGZÉSI TANÁCSOK CSISZOLÓGÉPHEZ

1. A sarokcsiszoló hasznos mind a fémek átvágásához, azaz a csavarfejek eltávolításához, mind pedig a felületek tisztításához/előkészítéséhez, azaz a hegesztési műveletek előtt és után.
2. A különböző típusú tárcsák/vágók lehetővé teszik, hogy a csiszológép különböző igényeket elégítsen ki. Jellemzően tárcsák/vágókorongok állnak rendelkezésre lágyacélhoz, rozsdamentes acélhoz, kőhöz és téglához. A nagyon kemény anyagokhoz gyémánttal impregnált korongok állnak

rendelkezésre.

3. Ha a csiszológépet puha fémeken, például alumíniumon használja, a kerék hamarosan eltömődik, és ki kell cserélni.
4. Mindig hagyja, hogy a csiszológép végezze a munkát, ne erőltesse, és ne gyakoroljon túlzott nyomást a tárcsára/korongra.
5. Rés vágásakor ügyeljen arra, hogy a maró a réssel egy vonalban maradjon, a maró elforgatása a tárcsa törését okozhatja. Ha vékony lemezen vág csak engedje meg az anyagot, a túlzott behatolás növelheti a sérülés esélyét.
6. Kő vagy téglavágása esetén célszerű porszívót használni.

## 6. A SZERSZÁMOK KARBANTARTÁSA

### **Bármilyen állítás, javítás vagy karbantartási művelet előtt húzza ki a kábelt a konnektorból.**

Az elektromos kéziszerszám nem tartalmaz a felhasználó által javítható alkatrészeket. Soha ne használjon vizet vagy vegyi tisztítószereket a szerszám tisztításához. Törölje tisztára egy száraz ronggyal. A szerszámot mindig száraz helyen tárolja. Tartsa tisztán a motor szellőzőnyílásait. Minden szabályozóeszközt tartson pormentesen. A szellőzőnyílásokon keresztül néha szikrák láthatók. Ez természetes, nem okoz kárt az elektromos kéziszerszámokban.

Amennyiben az áramellátó kábel sérült, a gyártónak, a megbízott szerviznek vagy egy hasonlóan képzett szakembernek ki kell cserélnie azt a kockázatok elkerülése érdekében.

## 7. HIBAELHÁRÍTÁS

Bár új sarokcsiszolója nagyon egyszerűen használható, ha gondolja adódna, ellenőrizze az alábbiakat:

1. Ha a sarokcsiszoló nem működik, ellenőrizze a dugót.
2. Ha a sarokcsiszoló kileng vagy rezeg, ellenőrizze, hogy a külső karíma szorosan rögzül-e, és a korong megfelelően helyezkedik-e el a karimalapon.
3. Ha úgy látja, hogy a korong megsérült, ne használja tovább, mivel a sérült korong széteshet. Vegye ki a korongot, és helyezzen be újat. A régi korongot óvatosan dobja el.
4. Ha alumíniumon vagy más hasonló, puha ötvözetben dolgozik, a korong hamarosan eltömődik, és nem dolgozik hatékonyan.

## 8. KÖRNYEZETVÉDELEM



A leselejtezett elektromos készülékek nem dobhatók ki a háztartási hulladékkal. Ha van a közelben elektromos hulladék gyűjtő udvar, vigye oda a készüléket. Az újrahasznosítási lehetőségekről tájékozódjon a helyi hatóságoknál vagy a kereskedőnél.

## 9. MEGFELELŐSÉGI NYILATKOZAT

A gyártó,  
Positec Germany GmbH  
Postfach 32 02 16, 50796 Cologne, Germany

Kijelenti, hogy a termék:  
Leírás **Worx sarokcsiszoló**  
Típus **WX709 WX709.X (700-749 a szerszám jelölése, sarokcsiszolót jelöl)**  
Rendeltetés **Kerületi és oldalirányú csiszolás**

Megfelel a következő irányelveknek:  
**2006/42/EC, 2011/65/EU & (EU)2015/863 2014/30/EU**

Az alábbi normáknak  
**EN 55014-1, EN 55014-2**  
**EN IEC 61000-3-2, EN 61000-3-3**  
**EN 60745-1, EN 60745-2-3**

A műszaki dokumentáció összeállítására jogosult személy:

**Név Marcel Filz**  
**Cím Positec Germany GmbH**  
**Postfach 32 02 16, 50796 Cologne, Germany**



2021/10/15  
Allen Ding  
Helyettes főmérnök, Tesztelés és minősítés  
Positec Technology (China) Co., Ltd  
18, Dongwang Road, Suzhou Industrial  
Park, Jiangsu 215123, P. R. China

# CUPRINS

1. INSTRUCȚIUNI DE SIGURANȚĂ
2. LISTĂ DE COMPONENTE
3. DATE TEHNICE
4. UTILIZARE CONFORM DESTINAȚIEI
5. INSTRUCȚIUNI DE EXPLOATARE
6. ÎNTREȚINERE
7. DEPANAREA
8. PROTECȚIA MEDIULUI
9. DECLARAȚIE DE CONFORMITATE

## 1. INSTRUCȚIUNI DE SIGURANȚĂ AVERTISMENTE GENERALE DE SIGURANȚĂ PENTRU UNELTE ELECTRICE



**AVERTISMENT:** Citiți toate avertismentele de siguranță și toate instrucțiunile. Dacă nu respectați toate avertismentele și instrucțiunile de mai jos, există riscul electrocutării, incendiului și/sau al accidentării grave.

### **Păstrați toate avertismentele și instrucțiunile pentru consultări ulterioare.**

Termenul „unealtă electrică” din avertismente se referă la o unealtă electrică alimentată de la rețeaua de energie electrică (prin cablu) sau la o unealtă electrică alimentată de la un acumulator (fără cablu).

### 1. SIGURANȚA ZONEI DE LUCRU

- a) Mențineți zona de lucru curată și bine iluminată.** Zonele de lucru în dezordine și întunecoase favorizează accidentele.
- b) Nu utilizați uneltele electrice în atmosfere explozive, de exemplu în prezența unor lichide, gaze sau praf inflamabile.** Uneltele electrice provoacă scântei ce pot aprinde pulberea sau vaporii.
- c) Asigurați-vă că nu sunt în apropiere persoane și copii în timpul funcționării unei unelte electrice.** Distragerea atenției poate duce la pierderea controlului uneltei.

### 2. SIGURANȚA ELECTRICĂ

- a) Fișele uneltei electrice trebuie să se potrivească perfect în priză de alimentare.** Nu modificați niciodată ștecherul. Nu folosiți niciun adaptor pentru uneltele electrice cu împământare. Utilizarea ștecherelor nemodificate în prize corespunzătoare va reduce riscul electrocutării.

- b) Evitați contactul fizic cu suprafețe cu legătură la pământ, cum ar fi țevi, radiatoare, mașini de gătit sau frigidere.** Riscul electrocutării este mai mare în cazul în care corpul dumneavoastră vine în contact cu suprafața împământată.
- c) Nu expuneți uneltele electrice la ploaie sau la umiditate.** Dacă intră apă în unealta electrică, riscul electrocutării este mai mare.
- d) Nu deteriorați cablul de alimentare. Nu folosiți niciodată cablul pentru transportarea, tragerea sau scoaterea din priză a uneltei electrice. Păstrați cablul de alimentare la distanță de căldură, ulei, margini ascuțite sau părți mobile.** Cablurile deteriorate sau încurcate măresc riscul electrocutării.
- e) Când folosiți unealta electrică în exterior, utilizați un prelungitor potrivit pentru utilizarea în exterior.** Utilizarea unui cablu potrivit pentru uzul în exterior reduce riscul electrocutării.
- f) Dacă utilizați uneltele electrice într-un loc umed nu poate fi evitată, folosiți o alimentare protejată cu dispozitiv de curent rezidual (RCD).** Folosirea unui dispozitiv RCD reduce riscul electrocutării.

### 3. SIGURANȚA PERSONALĂ

- a) Fiți concentrați, urmăriți ceea ce faceți și dați dovadă de simț practic când folosiți o unealtă electrică. Nu folosiți o unealtă electrică dacă sunteți obosit sau sub influența drogurilor, a alcoolului sau a medicamentelor.** O clipă de neatenție în timpul funcționării uneltei electrice poate duce la accidentări personale grave.
- b) Folosiți echipament personal de protecție. Purtați întotdeauna ochelari de protecție.** Echipamentele de protecție precum masca de protecție contra prafului, încălțăminte cu talpă antiderapantă, casca sau protecția pentru urechi vor reduce riscul accidentărilor, utilizate în mod corespunzător.
- c) Preveniți punerea accidentală în funcțiune. Asigurați-vă că întrerupătorul se află în poziția de oprire înainte de a face conectarea la sursa de alimentare și/sau la acumulator, înainte de a ridica sau a transporta unealta.** Transportarea uneltelor electrice ținând degetul pe întrerupător sau alimentarea acestora cu întrerupătorul pornit poate duce la accidentări.
- d) Scoateți orice cheie de reglare sau cheie de piulițe înainte de a porni unealta electrică.** O cheie de piulițe sau o altă cheie rămasă prinsă de o componentă rotativă a uneltei poate duce la rănirea personală.
- e) Păstrați un echilibru corect. Mențineți-vă permanent echilibrul și sprijiniți-vă ferm pe picioare.** Acest lucru permite un control mai bun al uneltei electrice în situații neprevăzute.
- f) Îmbrăcați-vă corespunzător. Nu purtați**

## Îmbrăcămintă prea largă sau bijuterii.

Nu vă apropiați părul, hainele sau mânușile de componentele mobile. Hainele prea largi, bijuteriile și părul lung se pot prinde în piesele mobile.

- g) Dacă sunt furnizate accesoriile pentru conectarea unor dispozitive de aspirare și colectare a prafului, asigurați-vă că acestea sunt montate și folosite corect.**

Folosirea colectorului de praf poate reduce riscul accidentărilor din cauza prafului.

## 4. UTILIZAREA ȘI ÎNTREȚINEREA UNELTELOR ELECTRICE

- a) Nu forțați unealta electrică. Folosiți unealta electrică potrivită pentru aplicație.** Cu uneltele electrice potrivite, veți lucra mai bine și mai în siguranță, la viteza pentru care a fost concepută.
- b) Nu folosiți uneltele electrice dacă nu o puteți porni sau opri de la întrerupător.** Orice uneltele electrice ce nu poate fi acționată de la întrerupător este periculoasă și trebuie reparată.
- c) Scoateți ștecherul din sursa de curent și/sau scoateți bateria din uneltele electrice înainte de a efectua reglaje, de a schimba accesoriile sau de a depozita uneltele electrice.** Astfel de măsuri de siguranță reduc riscul pornirii accidentale a uneltei electrice.
- d) Nu lăsați uneltele electrice la îndemâna copiilor și nu permiteți persoanelor ce nu știu să le manevreze și nu cunosc instrucțiunile să acționeze aceste uneltele.** Uneltele electrice sunt periculoase în mâinile utilizatorilor neinstruiți.
- e) Efectuați întreținerea uneltelor electrice. Verificați posibila aliniere incorectă sau posibila blocare a componentelor mobile, deteriorarea componentelor sau orice alte situații care pot afecta funcționarea uneltei electrice. Dacă uneltele electrice este deteriorată, reparați-o înainte de utilizare.** Multe accidente sunt provocate din cauza întreținerii incorecte a uneltelor.
- f) Uneltele de tăiere trebuie menținute ascuțite și curate.** Riscul blocării uneltelor de tăiere cu margini ascuțite întreținute corect este mai mic și acestea sunt mai ușor de controlat.
- g) Folosiți uneltele electrice, accesoriile, piesele etc. conform acestor instrucțiuni, luând în considerare condițiile de lucru și operația de efectuat.** Folosirea uneltei electrice pentru operații diferite de cele pentru care a fost concepută poate duce la accidentare.

## 5. SERVICE

- a) Service-ul uneltei electrice trebuie efectuat de persoane calificate, folosind doar piese de schimb identice.** Acest lucru va asigura folosirea în continuare a uneltei electrice în siguranță.

# INSTRUCȚIUNI PRIVIND SIGURANȚA PENTRU TOATE OPERAȚIILE

## AVERTISMENTE PRIVIND SIGURANȚA COMUNE PENTRU OPERAȚIILE DE POLIZARE SAU RETEZARE CU DISC ABRAZIV:

- a) Această uneltele electrică este concepută să funcționeze ca polizor sau uneltele pentru retezat. Citiți toate avertismentele privind siguranța, instrucțiunile, ilustrațiile și specificațiile furnizate cu această mașină electrică.** Dacă nu respectați toate instrucțiunile de mai jos, există riscul electrocutării, incendiului și/sau al accidentării grave.
- b) Nu este recomandată executarea operațiilor cum ar fi polizarea, șlefuirea, curățarea cu peria de sârmă cu această mașină electrică.** Operațiile pentru care această mașină electrică nu a fost concepută pot fi periculoase și pot provoca vătămări corporale.
- c) Nu utilizați accesoriile care nu sunt concepute special și recomandate de către producătorul mașinii.** Chiar dacă accesoriul poate fi atașat uneltei electrice, operarea în siguranță nu este garantată.
- d) Turația nominală a accesoriului trebuie să fie cea puțin egală cu turația maximă marcată pe mașina electrică.** Accesoriile utilizate la o turație superioară a celei nominale se pot sparge și împrăștia.
- e) Diametrul exterior și grosimea accesoriului trebuie să se încadreze în capacitatea nominală a uneltei electrice.** Accesoriile de dimensiuni incorecte nu pot fi protejate sau controlate în mod corespunzător.
- f) Accesoriile prevăzute cu inserție filetată trebuie trebuie să se potrivească exact pe filetul arborelui de polizat. La accesoriile montate prin flanșe, diametrul găurii accesoriului trebuie să se potrivească cu diametrul de prindere al flanșei.** Accesoriile care nu sunt fixate exact la scula electrică, se rotesc neuniform, vibrează foarte puternic și pot duce la pierderea controlului.
- g) Nu utilizați un accesoriu deteriorat. Înainte de fiecare utilizare, inspecționați accesoriul, precum discurile abrazive, în privința fisurilor și crăpăturilor, talerelor suport în privința crăpăturilor, rupturilor sau uzurii excesive. Dacă scăpați pe jos mașina sau accesoriul, inspecționați-le cu privire la deteriorări sau instalați un accesoriu intact.** După inspectarea și instalarea unui accesoriu, îndepărtați-l împreună cu persoanele din apropiere la depărtare de planul accesoriului rotativ și porniți mașina la turația maximă în gol timp de un minut. Accesoriile deteriorate se vor sparge în mod normal pe durata



acestui test.

- h) Purtați echipament personal de protecție. În funcție de aplicație, folosiți o mască de protecție, ochelari de protecție sau viziere de protecție. Dacă este cazul, purtați o mască de protecție contra prafului, dispozitive de protecție a auzului, mănuși și un șorț de lucru capabil să oprească fragmentele mici abrazive sau fragmentele din piesa de prelucrat. Echipamentul de protecție pentru ochi trebuie să aibă capacitatea de a opri resturile proiectate în aer generate la diverse operații. Mască de protecție contra prafului sau masca respiratoare trebuie să aibă capacitatea de a filtra particulele generate în timpul operației respective. Expunerea prelungită la zgomot foarte puternic poate provoca pierderea auzului.**
- i) Țineți persoanele din jur la o distanță sigură față de zona de lucru. Orice persoană care pătrunde în zona de lucru trebuie să poarte echipament personal de protecție.** Fragmentele din piesa de prelucrat sau ale unui accesoriu spart pot fi proiectate în jur cauzând vătămări corporale în zona imediat adiacentă zonei de lucru.
- j) Țineți unealta electrică doar de suprafețele de prindere izolate atunci când efectuați o operațiune în care accesoriul de tăiere poate intra în contact cu fire ascunse sau cu propriul cablu.** Contactul cu un cablu aflat sub tensiune poate pune sub tensiune și componentele metalice ale sculei electrice și duce la electrocutare.
- k) Poziționați cablul la distanță de accesoriul aflat în rotație.** Dacă pierdeți controlul, cablul poate fi tăiat sau agățat și mâna sau brațul dumneavoastră pot fi trase în discul aflat în rotație.
- l) Nu așezați niciodată jos mașina electrică înainte de oprirea completă a discului.** Accesoriul aflat în rotație ar putea apuca suprafața și trage de mașina electrică fără a o putea controla.
- m) Nu lăsați mașina electrică în funcțiune în timp ce o transportați lângă corpul dumneavoastră.** Contactul accidental cu accesoriul aflat în rotație vă poate agăța îmbrăcămintea, trăgând accesoriul spre corpul dumneavoastră.
- n) Curățați în mod regulat gurile de ventilație ale mașinii electrice.** Ventilatorul motorului va atrage praf în interiorul carcasei, iar acumularea de pudră de metal în exces poate cauza pericole electrice.
- o) Nu operați mașina electrică în apropierea unor materiale inflamabile.** Scânteile pot aprinde aceste materiale.
- p) Nu utilizați accesorii care necesită agenți de răcire lichizi.** Utilizarea apei sau a altor agenți de răcire lichizi poate cauza electrocutarea sau șocuri electrice.
- q) Țineți de mânerul unelei când lucrați. Utilizați întotdeauna mânerul auxiliar furnizate cu unealta. Pierderea controlului poate duce la răniri.**

## INSTRUCȚIUNI SUPLIMENTARE PRIVIND SIGURANȚA

### PENTRU TOATE OPERAȚIILE

Recul și alte avertismente similare  
Reculul este o reacție bruscă la înțepenirea sau agățarea unui disc, unui taler suport, unei perii sau unui alt accesoriu aflat în rotație. Agățarea sau prinderea cauzează blocarea rapidă a accesoriului rotativ, iar acesta, la rândul său, va duce la pierderea controlului unelei electrice și forțarea acesteia în direcția opusă rotației accesoriului.

De exemplu, dacă un disc abraziv este prins sau agățat în piesa de lucru, marginea discului care intră în punctul de prindere poate săpa în suprafața materialului, cauzând ieșirea discului sau reculul acestuia. Discul poate sări spre utilizator sau în direcție opusă acestuia, în funcție de direcția de mișcare a discului în punctul de blocare. În astfel de condiții, discurile abrazive se pot de asemenea sparge.

Reculul este rezultatul utilizării incorecte a scalei electrice și/sau al procedeeelor sau condițiilor de lucru necorespunzătoare, putând fi evitat prin adoptarea unor măsuri de precauție adecvate prezentate în continuare.

- a) Mențineți o priză fermă pe mașina electrică și poziționați-vă corpul și brațele astfel încât să contracarați forțele de recul. Folosiți întotdeauna mânerul auxiliar, dacă există, pentru a contracara în mod optim reculul sau momentul de torsiune reactiv din faza de pornire.** Utilizatorul poate contracara momentele de torsiune reactive sau forțele de recul, dacă își ia măsuri de precauție adecvate.
- b) Nu așezați niciodată mâna în apropierea accesoriului rotativ.** Reculul poate împinge accesoriul peste mâna dumneavoastră.
- c) Nu vă poziționați corpul în zona în care se va deplasa mașina electrică, în cazul reculului.** Reculul va proiecta unealta în direcție opusă rotației discului în punctul de agățare.
- d) Procedați cu deosebită atenție atunci când prelucrați colțuri, muchii ascuțite etc. Evitați izbuzirile și salturile accesoriului.** Colțurile, muchiile ascuțite sau salturile au tendința de a agăța accesoriul aflat în rotație și conduc la pierderea controlului sau apariția reculurilor.
- e) Nu atașați o pânză de ferăstrău cu lanț pentru scobirea lemnului sau o pânză de ferăstrău dințată.** Astfel de pânze pot crea reculuri frecvente și pierderea controlului.

## INSTRUCȚIUNI SUPLIMENTARE PRIVIND

## SIGURANȚA

### PENTRU OPERAȚII DE POLIZARE ȘI RETEZARE Avertismente privind siguranța specifice pentru operațiile de polizare și retezare cu disc abraziv:

- a) **Utilizați doar discuri recomandate pentru mașina dumneavoastră electrică și apărătoarea specifică proiectată pentru discul selectat.** Discurile pentru care nu a fost concepută mașina electrică nu pot fi protejate corespunder și nu sunt sigure.
- b) **Discurile de șlefuire cu degajare trebuie astfel montate încât suprafața lor de șlefuire să nu depășească planul marginii apărătoarei de protecție.** Un disc de șlefuire montat necorespunder, care depășește planul apărătoarei de protecție, nu poate fi acoperit suficient.
- c) **Apărătoarea trebuie atașată ferm la scula electrică și poziționată pentru siguranță maximă, astfel încât operatorul să fie expus la o porțiune cât mai mică a discului.** Discurile de tăiere sunt destinate îndepărtării de material cu marginea discului. Exercițarea unei forțe laterale asupra acestui corp abraziv poate duce la ruperea sa.
- d) **Discurile trebuie utilizate numai pentru aplicațiile recomandate. De exemplu: nu pozițiați cu partea laterală a discului abraziv de retezat.** Discurile abrazive de retezat sunt concepute pentru polizarea periferică, iar aplicarea unor forțe laterale asupra acestor discuri poate provoca spargerea lor.
- e) **Folosii întotdeauna flanșe de disc intacte, cu diametru adecvat pentru discul folosit. Flanșele de disc adecvate fixează discul reducând astfel posibilitatea de rupere a acestuia.** Flanșele pentru discuri abrazive de retezat pot fi diferite de flanșele pentru discuri de polizat.
- f) **Nu utilizați discuri uzate de la mașini electrice mai mari.** Discurile destinate unor mașini electrice mai mari nu sunt adecvate pentru turația mai ridicată a mașinii mai mici și pot exploda.

## INSTRUCȚIUNI SUPLEMENTARE PRIVIND SIGURANȚA PENTRU OPERAȚII DE RETEZARE


### Avertismente suplimentare privind siguranța specifice pentru operațiile de retezare cu disc abraziv:

- a) **Nu „înțepenii” discul pentru retezat și nici nu aplicați o presiune excesivă. Nu încercați să executați o adâncime excesivă a tăieturii.**

Supratensionarea discului mărește sarcina și susceptibilitatea de a torsiona sau a de a înțepeni discul în tăietură și posibilitatea de recul sau spargere a discului.

- b) **Nu vă poziționați corpul în linie sau în spatele discului aflat în rotație.** Când discul se îndepărtează de corpul dumneavoastră în timpul operării, reculul posibil poate împinge discul rotativ și mașina electrică direct spre dumneavoastră.
- c) **Atunci când discul este înțepenit sau când este intrerupt o tăiere din orice motiv, opriți scula electrică și țineți-o nemișcată până când discul se oprește complet.** Nu încercați niciodată să scoateți discul din tăietură în timp ce discul este în mișcare, altfel poate apărea reculul. Investigați și efectuați acțiunile corective pentru a elimina cauza înțepenirii discului.
- d) **Nu reporniți operația de retezare în piesa de prelucrat. Lăsați discul să ajungă la viteza maximă și pătrundeți din nou cu atenție în tăietură.** Discul poate înțepeni, se poate deplasa în sus sau provoca recul, dacă scula electrică este repornită în piesa de prelucrat.
- e) **Sprrijiniți panourile sau orice piesă de prelucrat de dimensiuni mari pentru a minimiza riscul de ciupire și recul al discului. Piesele de prelucrat mari tind să se încovoieze sub propria greutate.** Sub piesa de prelucrat trebuie amplasate suporturi pe ambele laturi, lângă linia de tăiere și lângă marginea piesei de prelucrat pe ambele părți ale discului.
- f) **Acordați o atenție sporită atunci când executați o „decupare prin plonjare” în pereții existenți sau în alte zone mascate.** Discul poate tăia conducte de gaz sau de apă, cabluri electrice sau obiecte care pot provoca un recul.

## REGULI SUPPLEMENTARE DE SIGURANȚĂ PENTRU POLIZORUL ÎNGHIULAR

 **AVERTISMENT:** Asigurați-vă că mânerul este în poziție blocată înainte de pornii polizorul unghiular. Rotirea mânerului este posibilă doar când mașina este oprită.

## SIMBOLURI



Pentru a reduce riscul de accidentări, utilizatorul trebuie să citească manualul de instrucțiuni



Izolație dublă

	Avertisment
	Purtați echipament de protecție pentru urechi
	Purtați echipament de protecție pentru ochi
	Purtați mască de protecție contra prafului
	Purtați mănuși de protecție.
	Înainte de a încărca accesoriile, asigurați-vă că instrumentul este deconectat de la alimentare.
	Blocare
	Deblocare
	Produsele electrice nu trebuie depuse la deșeurile împreună cu gunoiul menajer. Vă rugăm să depuneți produsele electrice la unitățile de reciclare existente. Consultați-vă cu autoritățile locale sau cu distribuitorul pentru sfaturi privind reciclarea.

## 2. LISTĂ DE COMPONENTE

<b>1.</b>	<b>MÂNER AUXILIAR</b>
<b>2.</b>	<b>BUTON ROTATIV</b>
<b>3.</b>	<b>BUTON DE PORNIT/OPRIT</b>
<b>4.</b>	<b>BUTON DE BLOCARE</b>
<b>5.</b>	<b>CAPAC PENTRU PERIE</b>
<b>6.</b>	<b>APĂRĂTOARE DE DISC PENTRU POLIZARE</b>
<b>7.</b>	<b>DISC *</b>
<b>8.</b>	<b>BUTON DE BLOCARE A AXULUI</b>
<b>9.</b>	<b>CHEIE DE BULOANE</b>
<b>10.</b>	<b>FLANȘĂ INTERIOARĂ</b>

<b>11.</b>	<b>FLANȘĂ EXTERIOARĂ</b>
<b>12.</b>	<b>APĂRĂTOARE DE DISC PENTRU ȚIERE</b>
<b>13.</b>	<b>MANETĂ DE FIXARE A APĂRĂTORII</b>

\* Nu toate accesoriile ilustrate sau descrise sunt incluse în livrarea standard.

## 3. DATE TEHNICE

Tip **WX709 WX709.X (700-749 - denumirea mașinii, reprezentând polizorul unghiular)**

	<b>WX709 WX709.X **</b>
Tensiune	230-240 V~50 Hz
Putere absorbită	2350 W
Viteză fără sarcină	6500 /min
Dimensiunea discului	230 mm
Alezajul discului	22.2 mm
Filet ax	M14
Diametrul discurilor abrazive	230 mm
Grosimea max. a discurilor abrazive	6 mm
Clasă de protecție	□/II
Greutatea mașinii	5.7 kg

\*\* X = 1-999, A-Z, M1-M9 sunt destinate doar clienților diferiți, nu există modificări legate de siguranță între aceste modele.

Vă recomandăm să achiziționați accesoriile de la același magazin de la care ați cumpărat unealta. Consultați ambalajul accesoriului pentru detalii suplimentare. Personalul din magazin vă poate oferi asistență și sfaturi.

## INFORMAȚII PRIVIND ZGOMOTUL

Presiune sonoră ponderată	$L_{PA}$ : 96 dB(A)
Putere sonoră ponderată	$L_{WA}$ : 107 dB(A)
$K_{PA}$ & $K_{WA}$	3.0dB(A)

## INFORMAȚII PRIVIND ZGOMOTUL

Valori totale vibrații (sumă vectorială triaxială) determinată conform EN 60745:

Măcinarea suprafeței	Valoare emisii de vibrații : $a_{h,AG} = 8.4 \text{ m/s}^2$ Marjă de eroare $K = 1.5 \text{ m/s}^2$
----------------------	--

Valoarea totală declarată pentru vibrații și pentru zgomot a fost măsurată în concordanță cu metoda de testare standard și poate fi utilizată și la compararea a două unelte.

Valoarea totală declarată pentru vibrații și pentru zgomot poate fi utilizată și la evaluarea preliminară a expunerii la acestea.

**ATENȚIONARE:** Nivelul emisiilor de vibrații și de zgomot în timpul utilizării reale a unelei poate să difere de valorile declarate, aceste valori fiind în funcție de modalitățile de utilizare ale sculei, dar mai ales de felul piesei prelucrate cu unealta. Iată în continuare niște exemple de utilizare care conduc la apariția diferențelor de valori:

Modul în care scula este folosită și tipul de materiale tăiate sau sfredelite.

Scula este în stare bună de funcționare și bine întreținută.

Folosirea accesoriului corect pentru sculă și păstrarea acesteia în condiții bune.

Forța de apucare a mânerelor și dacă s-a utilizat vreun accesoriu de reducere a vibrațiilor și a zgomotului.

Scula este folosită conform indicațiilor din fabrică și conform acestor instrucțiuni.

**Această sculă poate cauza sindromul vibrație mână-brăț dacă nu este folosită în mod corespunzător.**

**ATENȚIONARE:** Pentru a fi corectă, estimarea nivelului de expunere în condiții concrete de folosire trebuie să ia în considerare toate părțile ciclului de operare cum ar fi de câte ori scula este oprită și cât timp este pornită dar nu lucrează. Acest lucru poate reduce semnificativ nivelul de expunere de-a lungul perioadei de lucru totale. Minimalizarea riscului de expunere la vibrații și la zgomot.

Folosiți ÎNTOTDEAUNA dalte, burghiuși și lame ascuțite. Păstrați acest aparat în conformitate cu aceste instrucțiuni și păstrați-l bine gresat (dacă e cazul). Dacă unealta va fi utilizată în mod regulat, atunci nu ezitați să investiți în procurarea de accesorii antivibrație și antizgomot.

Planificați-vă programul de lucru pentru a folosi sculele cu număr mare de vibrații de-a lungul a mai multe zile.

## 4. DESTINAȚIA DE UTILIZARE

Mașina este destinată tăierii, șlefuirii și perierii metalelor și materialelor din piatră fără a folosi apă. Pentru tăierea pieselor din metal, trebuie utilizată o apărătoare specială de protecție pentru tăiere (accesoriu).


## 5. INSTRUCȚIUNI DE UTILIZARE



**NOTĂ:** Înainte de a utiliza unealta, citiți cu atenție manualul de instrucțiuni.

### ASAMBLARE ȘI OPERARE

Acțiune	Figura
<b>ASAMBLARE</b>	
Instalarea mânerului auxiliar	Consultați A
Montajul discurilor abrazive / de tăiere	Consultați B1,B2,B3.
Reglarea apărătorii discului <b>NOTĂ:</b> Pentru operațiile cu discuri de polizare sau retezare, trebuie montată apărătoarea pentru disc. Utilizați întotdeauna tipul corect de disc pentru aplicația dvs. Dacă unitatea trebuie să efectueze operații de debitare, trebuie să fi e echipată cu o apărătoarea specială pentru acest scop. Pentru operațiile cu discuri de polizare sau retezare, trebuie montată apărătoarea pentru disc. Proiecția codată de pe apărătoarea discului garantează faptul că poate fi montată doar o apărătoare care se potrivește tipului de mașină. Deschideți pârghia de strângere. Așezați apărătoarea pentru disc cu proiecția codată în canelura codată de pe arborele capului mașinii și rotiți în poziția dorită (poziția de lucru). Pentru a fixa apărătoarea pentru disc, închideți pârghia de strângere. <b>Partea închisă a apărătorii pentru disc trebuie să fie întotdeauna îndreptată spre operator.</b> <b>NOTĂ:</b> Cu mânerul de prindere deschis, șurubul de reglare a clemei poate fi reglat pentru a se asigura că protecția este prinsă în siguranță după ce se închide la final maneta de prindere.	Consultați C
<b>OPERAȚIUNE</b>	

Utilizarea întrerupătorului general cuplat/decuplat	Consultați D
Locui pentru prindere	Consultați E
Rectificare brută  <b>AVERTIZARE!</b> Nu utilizați discul de tăiere pentru rectificare brută.	
Tăierea	Consultați F
Pentru utilizarea mânerului rotativ	Consultați G
Pentru înlocuirea perilor	Consultați H

## SFATURI DE LUCRU PENTRU POLIZOR

1. Polizorul unghiular este util pentru a tăia în metal, mai exact pentru a scoate capetele de șurub, dar și pentru a curăța/pregăti suprafețe, mai exact înainte și după operațiunile de sudură.
2. Diferitele tipuri de roți/cuțite permit ca polizorul să răspundă diferitelor nevoi. De regulă, discurile/cuțitele sunt disponibile pentru oțel moale, oțel inoxidabil, piatră și cărămidă. Discurile impregnate cu diamant sunt disponibile pentru materialele foarte dure.
3. Dacă polizorul se utilizează pentru metale moi cum ar fi aluminiul, discul se blochează rapid și trebuie schimbat.
4. Lăsați întotdeauna polizorul să acționeze, nu aplicați forță sau presiune excesivă asupra roții/discului.
5. Dacă tăiați o fantă, asigurați-vă că cuțitul rămâne aliniat cu fanta, deoarece răsucirea cuțitului poate duce la spargerea discului. Dacă tăiați o tablă subțire lăsați doar materialul, penetrarea excesivă poate crește riscul de producere de pagube.
6. Dacă tăiați piatră sau cărămidă, se recomandă utilizarea unui extractor de praf.

## 6. ÎNTREȚINERE

### Scoateți ștecherul din priza de alimentare înainte de a efectua orice ajustări, operațiuni de service sau întreținere.

Interiorul unelei electrice nu conține piese care pot fi depanate de către utilizator. Nu utilizați niciodată apă sau agenți chimici de curățare pentru curățarea unelei electrice. Ștergeți unealta cu o cârpă uscată. Depozitați întotdeauna unealta într-un loc uscat. Mențineți fantele de aerisire a motorului curate. Feriți de praf toate comenzile de lucru. Ocazional, puteți observa scântei prin fantele de aerisire. Acest lucru este normal și nu va defecta unealta electrică. În cazul în care cablul de alimentare este deteriorat, acesta trebuie înlocuit de către producător, agentul său de service sau persoane cu calificare similară,

pentru a evita orice pericol.

## 7. DEPANAREA

Deși noul polizor unghiular este foarte simplu de operat, dacă întâmpinați probleme, verificați următoarele:

1. Dacă polizorul dumneavoastră nu funcționează, verificați conexiunea cablului de alimentare.
2. Dacă discul polizorului dumneavoastră oscilează sau vibrează, verificați dacă flanșa exterioară este strânsă; verificați dacă discul este localizat corect pe placa flanșei.
3. Dacă există dovezi că discul este deteriorat, nu îl utilizați deoarece se poate dezintegra, îndepărtați-l și înlocuiți cu un disc nou. Depuneți la deșeurii discurile vechi în mod corespunzător.
4. Dacă lucrați cu aluminiu sau un aliaj moale similar, discul se va înțepeni rapid și nu va poliza eficient.

## 8. PROTECȚIA MEDIULUI



Produsele electrice nu trebuie depuse la deșeurii împreună cu gunoiul menajer. Vă rugăm să depuneți produsele electrice la unitățile de reciclare existente. Consultați-vă cu autoritățile locale sau cu distribuitorul pentru sfaturi privind reciclarea.

## 9. DECLARAȚI DE CONFORMITATE

Subsemnații,  
Positec Germany GmbH  
Postfach 32 02 16, 50796 Cologne, Germany

Declarăm că produsul  
Descriere **Polizor unghiular Worx**  
Tip **WX709 WX709.X (700-749—denumirea mașinii, reprezentând polizorul unghiular)**  
Function **Peripheral and lateral grinding**

Respectă următoarea directivă:  
**2006/42/EC, 2011/65/EU&(EU)2015/863, 2014/30/EU**

Se conformează standardelor:  
**EN 55014-1, EN 55014-2, EN IEC 61000-3-2, EN 61000-3-3, EN 60745-1, EN 60745-2-3**

Persoana responsabilă pentru elaborarea fișei tehnice,  
**Nume Marcel Filz**  
**Adresă Positec Germany GmbH**  
**Postfach 32 02 16, 50796 Cologne, Germany**



2021/10/15  
Allen Ding

Adjunct Inginer șef, Testare și certificare  
Positec Technology (China) Co., Ltd  
18, Dongwang Road, Suzhou Industrial  
Park, Jiangsu 215123, P. R. China

## OBSAH

1. BEZPEČNOSTNÍ POKYNY
2. SEZNAM SOUČÁSTEK
3. TECHNICKÉ ÚDAJE
4. ÚČEL POUŽITÍ
5. NÁVOD K POUŽITÍ
6. ÚDRŽBA
7. ODSTRANĚNÍ ZÁVAD
8. OCHRANA ŽIVOTNÍHO PROSTŘEDÍ
9. PROHLÁŠENÍ O SHODĚ

## 1. BEZPEČNOSTNÍ POKYNY OBEČNÁ BEZPEČNOSTNÍ UPOZORNĚNÍ PRO ELEKTRICKÉ NÁSTROJE



**VAROVÁNÍ: Přečtěte si všechna bezpečnostní upozornění a instrukce.**

Nedodržení bezpečnostních instrukcí a varování může vést ke zranění el. proudem, vypuknutí požáru, poškození nářadí a nebo kvázným zraněním.

**Uložte instrukce a veškerou dokumentaci pro budoucí použití.**

Výraz "elektrické ruční nářadí" znamená v upozornění buď na nářadí na elektrický pohon (napájené z elektrickou sítí) nebo na akumulátorové nářadí (napájené z akumulátoru).

### 1. BEZPEČNOST NA PRACOVISTI

- a) Udržujte pracoviště v čistotě a dobře osvětlené.** Pracoviště plně nepotřebných předmětů nebo slabě osvětlené zvyšuje možnost úrazu.
- b) Nepoužívejte elektrické ruční nářadí v prostředí náchylném na exploze jako například v přítomnosti hořlavých tekutin, plynů nebo prachu.** Elektrické ruční nářadí při práci vytváří jiskry, které mohou vznítit prach nebo výpary.
- c) Při práci s elektrickým ručním nářadím udržujte děti a přihlížející osoby v dostatečné vzdálenosti.** Ztráta pozornosti může vést ke ztrátě kontroly nad nářadím.

### 2. Bezpečnost při práci s elektrinou

- a) Vidlice elektrického ručního nářadí musí být shodného typu jako zásuvky el. sítě. Neměňte vidlici nedovoleným nebo neodborným způsobem, předejdete tak možným zraněním nebo úrazu el proudem.** Nepoužívejte spolu s uzemněným ručním nářadím žádné adaptéry,

kteří neumožňují ochranu zemněním.

- b) Vyhýbejte se kontaktu s uzemněnými povrchy jako například trubkami, radiátory, sporáky a ledničkami.** Je-li vaše tělo spojené s uzemněným předmětem nebo stojí na uzemněné ploše, vzniká zvýšené riziko úrazu elektrickým proudem.
- c) Nevystavujte ruční nářadí dešti nebo vlhkým podmínkám.** Když se voda dostane pod povrch elektrického ručního nářadí, vzniká zvýšené riziko úrazu elektrickým proudem.
- d) Nemanipulujte s napájecím kabelem necitlivě. Nikdy si nepřítahujte elektrické ruční nářadí k sobě pomocí kabelu, netahejte je za sebou pomocí kabelu a nevytrhávejte kabel ze zástrčky, abyste ruční nářadí vypnuli. Nevystavujte kabel vysokým teplotám, oleji, ostrým hranám nebo kontaktu s pohyblivými díly.** Poškozené nebo zamotané kabely mohou vést k zvýšenému riziku úrazu elektrickým proudem.
- e) Při práci s ručním nářadím v exteriéru použijte prodlužovací kabel vhodný pro použití v exteriéru.** Použijte kabel vhodný pro venkovní prostředí, snížete tím riziko vzniku úrazu elektrickým proudem.
- f) Pokud je práce s ručním nářadím ve vlhkých podmínkách nevyhnutelná, použijte napájení chráněné jističem typu proudový chránič (RCD).** Použití RCD jističe redukuje riziko vzniku úrazu elektrickým proudem.

### 3. OSOBNÍ BEZPEČNOST

- a) Buďte soustředění, sledujte co děláte a při práci s ručním nářadím se řiďte zdravým rozumem. Nepoužívejte ruční nářadí, jste-li unaveni nebo pod vlivem omamných látek, alkoholu nebo léků.** Moment nepozornosti při práci s ručním nářadím může vést k vážnému osobnímu zranění.
- b) Použijte osobní ochranné pomůcky. Vždy noste ochranu očí.** Ochranné pomůcky jako například proti prachová maska, boty s protiskluzovou podrážkou nebo chrániče sluchu použité v příslušných podmínkách pomáhají redukovat nebezpečí vážného osobního zranění.
- c) Předcházejte neúmyslnému zapnutí. Ujistěte se, že vypínač je ve vypnuté poloze předtím, než zapojíte nářadí do elektrické sítě a nebo k akumulátoru, rovněž při zvedání nebo nošení nářadí.** Nošení nářadí s prstem na vypínači nebo nářadí pod napětím zvyšuje možnost úrazu.
- d) Odstraňte jakékoliv nastavovací nebo maticové klíče a šrouby předtím, než zapnete ruční nářadí.** Nastavovací nebo jiný klíč ponechaný na rotující části ručního nářadí může způsobit osobní úraz.
- e) Nepřečenujte se. Udržujte si stabilitu a pevnou zem pod nohama za každých**

**podmínek.** Umožňuje vám to lepší kontrolu nad ručním nářadím v neočekávaných situacích.

- f) Pro práci se vhodně oblečte. Nenoste volné oblečení nebo šperky. Udržujte své vlasy, oblečení a rukavice ve vzdálenosti od pohyblivých částí.** Volné oblečení, šperky nebo dlouhé vlasy se mohou do pohyblivých částí zachytit.
  - g) Pokud jsou zařízení nastavená na spojení se zařízeními na zachytávání a extrakci prachu, ujistěte se, že jsou tato zařízení správně připojena a použita.** Použitím sběrače prachu redukuje rizika vyvolaná prachem.
- ### 4. POUŽITÍ A ÚDRŽBA RUČNÍHO NÁŘADÍ
- a) Na ruční nářadí netlačte. Použijte správné ruční nářadí pro danou činnost.** Správné ruční nářadí udělá práci lépe a takovou rychlostí, pro kterou bylo navrženo.
  - b) Nepoužívejte ruční nářadí, pokud správně nefunguje vypínač on/off.** Jakékoliv ruční nářadí, které se nedá ovládat vypínačem, je nebezpečné a musí být opraveno.
  - c) Dříve než začnete dělat jakékoliv úpravy, vyměňovat doplňky nebo ruční nářadí odkládat, odpojte zástrčku od sítě a nebo akumulátoru.** Taková preventivní bezpečnostní opatření redukuje riziko náhodného zapnutí ručního nářadí.
  - d) Nepoužíváte-li ruční nářadí, skladujte je mimo dosah dětí a nedovoďte osobám, které nemají zkušenosti s prací s ručním nářadím nebo neznají tyto pokyny, s nářadím pracovat.** Ruční nářadí je nebezpečné v rukách neškolené a nezkušené osoby.
  - e) Údržba ručního nářadí. Zkontrolujte chybné připojení nebo spojení pohyblivých částí, zlomené části nebo jiné okolnosti, které by mohly ovlivnit funkčnost ručního nářadí. Je-li nářadí poškozeno, nechte je před novým použitím opravit.** Mnoho úrazů vzniká proto, že je elektrické ruční nářadí špatně udržováno.
  - f) Udržujte řezné nástroje ostré a čisté.** Správně udržované řezné nástroje s ostrými řezacími hranami jsou mnohem náchylné na zakousnutí a lépe se ovládají.
  - g) Používejte elektrické nářadí v souladu s těmito pokyny, berte v úvahu pracovní podmínky a druh vykonávané práce.** Je-li elektrické nářadí použito na jiné účely, než je určeno, může docházet k nebezpečným situacím.
- ### 5. SERVIS
- a) Servisní práce na nářadí nechte provést kvalifikovanými pracovníky za použití originálních náhradních dílů.** Výsledkem bude trvalá bezpečnost při práci s elektrickým nářadím.

# BEZPEČNOSTNÍ POKYNY PRO VŠECHNY ČINNOSTI

## BEZPEČNOSTNÍ UPOZORNĚNÍ SPOLEČNÁ PRO BROUŠENÍ NEBO ABRAZIVNÍ ŘEZÁNÍ:

- a) Toto nářadí je určeno pro broušení. Seznamte se všemi varováními, pokyny, obrázky a parametry dodanými s tímto elektrickým nářadím. Pokud se nebudete řídit následujícími instrukcemi, může dojít k vypuknutí požáru nebo k dalším vážným zraněním způsobeným nejen elektrickým proudem.
- b) S tímto elektrickým nástrojem nedoporučujeme provádět například broušení brusným papírem, broušení drátěným kartáčem nebo leštění. Způsobu používání, pro které tento nástroj není určen, mohou způsobit nebezpečí a zranění.
- c) Nářadí používejte jen pro určený typ prací doporučený výrobcem. Možnost namontovat na nářadí příslušenství neznamená, že daná kombinace bude fungovat bezpečně.
- d) Jmenovité otáčky příslušenství se musí rovnat nebo být vyšší než jmenovité otáčky vyznačené na nářadí. Příslušenství používané při vyšších než doporučených otáčkách může způsobit zranění osob nebo poškození nářadí.
- e) Rozměry příslušenství musí vyhovovat parametřům nářadí. Příslušenství nesprávných rozměrů nelze přiměřeně chránit ani ovládat.
- f) Nasazovací nástroje se závitovou vložkou musejí přesně lícovat na závit brusného vřetene. U nasazovacích nástrojů, jež jsou montované prostřednictvím příruby, musí průměr otvoru nasazovacího nástroje lícovat na upínací průměr příruby. Nasazovací nástroje, které nejsou na elektronářadí upevněné přesně, se nerovnoměrně otáčejí, velmi silně vibrují a mohou vést ke ztrátě kontroly.
- g) Používejte poškozené příslušenství. Před každým použitím zkontrolujte příslušenství jako brusné kotouče, nejsou-li prasklé, vyštípané, nemají-li podložní destičky praskliny, nejsou-li příliš opotřebený, nebo neztrácí-li drátěný kartáč drátky. Pokud Vám nářadí upadne, zkontrolujte způsobené poškození nebo namontujte nepoškozené příslušenství. Po kontrole a montáži příslušenství postavte vy i jiné přítomné osoby mimo rovinu řezu kotouče a nechte brusku běžet jednu minutu bez zátěže. Poškozené příslušenství se obvykle během tohoto testu rozpadne.
- h) Použijte osobní ochranné pomůcky. Podle typu práce používejte ochranný štít, ochranné brýle (s boční ochranou nebo bez ní). Podle potřeby použijte protiprachovou masku, chrániče sluchu, rukavice a zástěru, schopnou

zastavit malé kousky brusiva a materiálu.

Ochrana očí musí být schopna zadržet odlétávající úlomky. Protiprachová maska nebo respirátor musí zachytit částice vzniklé při práci s nářadím. Delší pobyt v hluku může poškodit sluch.

- i) **Přihlížející osoby musí být v bezpečné vzdálenosti. Osoby vstupující na pracovníště musí používat osobní ochranné prostředky.** Úlomky kotouče nebo materiálu mohou odlétávat i mimo bezprostřední pracovní prostor a způsobit zranění.
- j) **Držte ruční elektrické nářadí za odizolované povrchy při práci v podmínkách, kde je možné, že se řezací nástroj dostane do kontaktu se skrytou elektrickou sítí nebo vlastním kabelem.** Kontakt s elektrickým vedením pod napětím může přivést napětí i na kovové díly stroje a vést k úderu elektrickým proudem.
- k) **Napájecí kabel nesmí přijít do blízkosti otáčejícího se kotouče.** Pokud ztratíte kontrolu nad nářadím, šňůra může být zachycena nebo přefézána, případně může vtáhnout Vaše ruce do prostoru otáčejícího se nástroje.
- l) **Brusku odložte až po úplném zastavení kotouče.** Otáčející se nástroj může zachytit povrch materiálu a vytrhnout vám nářadí z rukou.
- m) **Nespouštějte motor nářadí během přenášení po straně těla.** Náhodný kontakt s otáčejícím se příslušenstvím může zachytit oděv a přitáhnout kotouč k tělu.
- n) **Pravidelně čistěte větrací otvory nářadí.** Větrák motoru vtahuje do pláště brusky prach a přílišné nahromadění práškového kovu může způsobit úraz elektrickým proudem.
- o) **Brusku nepoužívejte v blízkosti hořlavých materiálů.** Odlétávající jiskry mohou materiál zapálit.
- p) **Nepoužívejte příslušenství vyžadující kapalná chladicí média.** Použití chlazení vodou nebo jinou kapalinou může způsobit úraz elektrickým proudem.
- q) Při práci musíte držet nástroj za držadlo. Vždy používejte pomocná držadla dodaná s nástrojem. Ztráta kontroly může způsobit zranění.

## DALŠÍ BEZPEČNOSTNÍ POKYNY PRO VŠECHNY ČINNOSTI

### Zpětný ráz a jiná varování

Zpětný ráz je náhlá reakce nářadí na sevřeny, nebo zaseklý rotující kotouč, podložní destičku, kartáč nebo jiné příslušenství. Sevření nebo zaseknutí kotouče způsobí rychlé zastavení rotujících částí, které má za následek vznik nekontrolovaného vymrštění nářadí opačným směrem než je směr otáčení v bodě zastavení kotouče.



Je-li například kotouč zachycen v opracovávaném materiálu, hrana kotouče v místě zachycení se zařízne do materiálu a způsobí uvolnění nebo vyhození kotouče. Kotouč pak může buď vyskočit dopředu nebo směrem od uživatele, v závislosti na směru otáčení kotouče v bodě zachycení. Brusné kotouče se za takových okolností mohou rozbít na kusy.

Zpětný ráz je výsledkem špatných pracovních postupů a podmínek a můžete se mu vyhnout náležitými preventivními kroky tak, jak se uvádí níže.

- a) **Nářadí pevně uchopte a postavte se tak, abyste případnému vymrštění nástroje dokázali vzdorovat. Vždy, když je k dispozici, namontujte přídatnou rukojeť. Získáte tím maximální kontrolu nad vymrštěním nářadí nebo nad reakcí kroutícího momentu při započetí práce.** Je-li uživatel připraven, může reagovat na důsledek kroutícího momentu nebo zpětný ráz včas.
- b) **Nikdy nepřiblížujte ruce k rotujícím částem.** Nářadí může být vymrštěno přes vaše ruce.
- c) **Postavte se tak, aby vás nářadí při vymrštění kotouče nezasáhlo.** Zpětný ráz vyhodí nářadí směrem opačným k otáčení kotouče v bodě jeho zachycení.
- d) **Bud'te obzvláště opatrní při práci v rozích, okolo ostrých hran apod., nářadí může být zachyceno nebo odhozeno.** Práce v rozích a na hranách a poskočení nářadí mají tendenci zastavit rotaci kotouče a způsobit ztrátu kontroly nad nářadím.
- e) **Nenasazujte řetězový kotouč pro dlabání dřeva ani ozubený pilový kotouč.** Tyto kotouče způsobují časté zpětné rázy a ztrátu kontroly.

## DODATEČNÉ BEZPEČNOSTNÍ POKYNY PRO BROUŠENÍ A ABRAZIVNÍ ŘEZÁNÍ

**Bezpečnostní pokyny pro broušení a abrazivní řezání:**

- a) **Ke kotouči vždy použijte ochranný kryt. Ochranný kryt musí být pevně uchycen k nářadí v poloze pro maximální ochranu tak, že směrem k uživateli je obnažena jen minimální část kotouče.** Kryt chrání uživatele před kusy prasklého kotouče a před náhodným kontaktem s kotoučem.
- b) **Zalomené brusné kotouče musejí být namontované tak, aby svou brusnou plochou nepřečnívaly nad rovinou okraje ochranného krytu.** Nesprávně namontovaný brusný kotouč, který vyčnívá nad rovinu okraje ochranného krytu, nemůže být dostatečně krytý.
- c) **Používejte jen kotouče doporučené pro vaše nářadí a jejich ochranné kryty.** Dělicí kotouče jsou určeny k úběru materiálu hranou kotouče. Boční působení síly na tato brusná tělesa je může

rozlámat.

- d) **Kotouče používejte jen pro doporučené typy prací. Nepoužívejte boční stranu řezného kotouče na broušení.** Kotouče pro abrazivní řezání jsou určeny pro zátěž na hraně, boční tlak může způsobit jejich roztrhnutí.
- e) **Používejte jen nepoškozované přírubby správné velikosti a tvaru, vhodné pro váš kotouč. Správné přírubby drží kotouč a snižují riziko jeho prasknutí.** Přírubby pro řezné kotouče jsou jiné než přírubby pro brusné kotouče.
- f) **Nepoužívejte opotřeбенé kotouče z většího nářadí.** Kotouče určené pro větší typy nářadí se nehodí pro vyšší otáčky menšího nářadí a mohou se roztrhnout.

## DODATEČNÉ BEZPEČNOSTNÍ POKYNY PRO ŘEZÁNÍ

**Bezpečnostní pokyny pro broušení a abrazivní řezání:**

- a) **Při řezání nepoužívejte přílišný tlak, aby se kotouč nezastavil v řezu. Nepokoušejte se provést příliš hluboký řez.** Velká síla působící na kotouč a náchylnost na zkroutčení nebo zaseknutí v řezu zvyšují možnost zpětného rázu nebo roztrhnutí kotouče.
- b) **Nikdy nestůjte v linii řezu a za rotujícím kotoučem.** Pokud se kotouč při práci pohybuje ve směru od vašeho těla, zpětný ráz jej vymrští přímo na vás.
- c) **Zasekne-li se kotouč nebo je-li potřeba řezání z nějakého důvodu přerušit, uvolněte vypínač a držte pilu nehybně v materiálu, dokud se kotouč nezastaví. Nikdy se nepokoušejte řezný kotouč vyndat z řezu, pokud se otáčí, jinak může dojít k vymrštění nářadí. Rotující řezný kotouč nikdy nevytahujte z řezu, mohli by dojít k jeho odmrštění vaším směrem.** Přezkoumejte a udělejte opravné kroky, abyste minimalizovali důvod zaseknutí kotouče.
- d) **V řezání nepokračujte, je-li kotouč v řezu. Nechte kotouč roztočit v pracovních otáčkách a poté jej opatrně opět vložte do řezu.** Kotouč se při zapnutí motoru může v řezu zaseknout vyběhnout z řezu, nebo být vymrštěn ven
- e) **Velké desky nebo jiné rozměrné kusy materiálu podložte tak, abyste minimalizovali riziko sevření kotouče a jeho případné vymrštění.** Velké kusy se mají tendenci prohýbat pod vlastní vahou. Podpěry musí být umístěny pod oběma stranami obrobku, blízko linie řezu a blízko okraje materiálu.
- f) **Bud'te zvláště obezřetní, když budete řezat do stojících zdí nebo jiných neznámých objektů.** Přechínavící kotouč se může zaříznout do potrubí plynového nebo vodovodního rozvodu, do elektrických rozvodů nebo může být při nárazu na

překážky streichen z drážky vymrštěn.

## DODATEČNÉ BEZPEČNOSTNÍ POKYNY PRO ÚHLOVOU BRUSKU

**!** **VÝSTRAHA:** Před spuštěním úhlové brusky se ujistěte, že je rukojeť upevněná. Otáčení rukojeti je povoleno pouze tehdy, když je vypnutá.

### SYMBOLY

	Pro omezení rizika zranění si pečlivě přečtěte návod k obsluze.
	Dvojitá izolace
	Výstraha
	Používejte pomůcky pro ochranu sluchu.
	Používejte pomůcky pro ochranu očí.
	Používejte protiprachovou masku (respirátor)
	Používejte ochranné rukavice.
	Před výměnou příslušenství musí být nástroj odpojen od elektrické zásuvky.
	Zamknout
	Odemknout



Vysloužilé elektrické produkty byste neměli vyhazovat společně s komunálním odpadem. Odevzdejte je do sběren pro tento účel zřízených, aby mohlo dojít k jejich ekologické likvidaci - recyklaci. O možnostech recyklace se informujte na místních úřadech nebo u prodejce.

## 2. SEZNAM KOMPONENTŮ


1.	<b>POMOCNÁ RUKOJEŤ</b>
2.	<b>OTOČNÉ TLAČÍTKO</b>
3.	<b>HLAVNÍ VYPÍNAČ</b>
4.	<b>TLAČÍTKO ODJIŠTĚNÍ</b>
5.	<b>KRYT BRUSKY</b>
6.	<b>KRYT KOTOUČE PRO BROUŠENÍ</b>
7.	<b>DISK*</b>
8.	<b>TLAČÍTKO ZÁMKU VŘETENA</b>
9.	<b>KLÍČ</b>
10.	<b>VNITŘNÍ PŘÍRUBA</b>
11.	<b>VNĚJŠÍ PŘÍRUBA</b>
12.	<b>KRYT KOTOUČE PRO ŘEZÁNÍ</b>
13.	<b>PÁČKA UPNUTÍ KRYTŮ</b>

\* Ne všechny doplňky vyobrazené nebo popisované jsou v standardní dodávce zahrnuty.

## 3. TECHNICKÁ DATA

Typ **WX709 WX709.X (700-749 - označení stroje, zástupce Úhlová bruska)**

	<b>WX709 WX709.X **</b>
Napětí	230-240 V~50 Hz
Příkon	2350 W
Otáčky bez zatížení	6500 /min
Velikost disku	230 mm
Otvor disku	22.2 mm
Závit vřetena	M14

Průměr brusných kotoučů	230 mm
Max. tloušťka brusných kotoučů	6 mm
Třída ochrany	 /II
Hmotnost stroje	5.7 kg

\*\* X = 1-999, A-Z, M1-M9 jsou pouze pro různé zákaznické, mezi těmito modely neexistují žádné změny související s bezpečností.

Doporučujeme, abyste si příslušenství zakoupili od stejného prodejce, u kterého jste koupili nářadí. Pro další detaily prostudujte obal příslušenství. V případě potřeby požádejte personál prodejny o pomoc a radu.

## ÚDAJE O HLUKU A VIBRACÍCH

Naměřený akustický tlak  $L_{PA}$ : 96 dB(A)

Naměřený akustický výkon  $L_{WA}$ : 107 dB(A)

$K_{PA}$  &  $K_{WA}$  3.0dB(A)

Používejte pomůcky pro ochranu sluchu. 


## INFORMACE O VIBRACÍCH

Celkové hodnoty vibrací (trojosé nebo vektorové součtové měření) stanovené v souladu s EN 60745

Broušení povrchu	Hodnota vibračních emisí :
	$a_{h,AG} = 8.4 \text{ m/s}^2$
	Kolisání $K = 1.5 \text{ m/s}^2$

Deklarovaná celková hodnota vibrací a deklarovaná úroveň vytvářeného hluku byly měřeny v souladu se standardními zkušebními postupy a lze je použít při srovnání jednotlivých nářadí mezi sebou.

Deklarovaná celková hodnota vibrací a deklarovaná úroveň vytvářeného hluku mohou být také použity k předběžnému stanovení doby práce s nářadím.


 **VAROVÁNÍ:** Vibrace a hloučnost při aktuálním použití elektrického nářadí se od deklarováných hodnot mohou lišit v závislosti na způsobu, jakým je nářadí použito, zejména pak na typu zpracovávaného obrobku podle následujících příkladů a na dalších způsobech, jakými je nářadí používáno:

Jak je nářadí používáno a jaké materiály budou řezány nebo vrtány.

Nářadí musí být v dobrém stavu a musí být prováděna jeho řádná údržba.

S nářadím musí být používáno správné příslušenství, a toto příslušenství musí být ostré a v dobrém stavu. Pevnost uchopení rukojeti a zda je použito jakékoliv příslušenství snižující úroveň vibrací a hluku. Toto nářadí může být použito pouze pro určené účely a podle těchto pokynů.

**Není-li toto nářadí používáno odpovídajícím způsobem, může způsobit syndrom nemoci způsobené působením vibrací na ruce a paže oběhly.**

 **VAROVÁNÍ:** Chcete-li být přesní, odhad doby působení vibrací v aktuálních podmínkách při použití tohoto nářadí by měl brát v úvahu také všechny části pracovního cyklu, jako jsou doby, kdy je nářadí vypnuto a kdy je v chodu ve volnoběžných otáčkách, ale ve skutečnosti neprovádí žádnou práci. Doba působení vibrací tak může být během celkové pracovní doby značně zkrácena.

Pomáhá minimalizovat riziko působení vibrací a hluku. VŽDY používejte ostré sekáče, vrtáky a nože. Provádějte údržbu tohoto nářadí podle těchto pokynů a zajistěte jeho řádné mazání (je-li to vhodné). Pokud bude nářadí používáno pravidelně, pak investujte do příslušenství snižujícího úroveň vibrací a hluku.


Vypracujte si svůj plán práce, abyste působení vysokých vibrací tohoto nářadí rozdělili do několika dnů.

115

## 4. ÚČEL POUŽITÍ

Elektrické nářadí je určeno k dělení, hrubování a kartáčování kovových a kamenných materiálů bez použití vody. K dělení kovu se musí použít speciální ochranný kryt pro dělení (příslušenství).

## 5. NÁVOD NA POUŽITÍ

 **POZNÁMKA:** Předtím než začnete nářadí používat, přečtěte si pečlivě manuál.

### SESTAVENÍ A POUŽÍVÁNÍ

Proveděný úkon	Obr.
<b>SESTAVENÍ</b>	
Montáž pomocné rukojeti	Viz A
Montáž brusných / řezných kotoučů	Viz B1, B2, B3

Nastavení ochranného krytu

**POZNÁMKA: Při práci s brusnými nebo řeznými kotouči používejte ochranný kryt. Pro určitý typ operací používejte vždy vhodný typ kotouče. Bude-li nářadí používáno pro provádění řezných pracovních operací, musí být opatřeno krytem, který je určen pro tyto pracovní operace.**

Při práci s brusnými nebo řeznými kotouči používejte ochranný kryt. Kódovaný výstupek na ochranném krytu zaručuje, že se na nářadí dají namontovat jen takové kryty, které jsou pro něj určeny.

Otevřete upínací páku. Ochranný kryt s kódovaným výstupkem vložte do kódované drážky na límci vřetena hlavy brusky a otočte jej do požadované (pracovní) polohy.

Chcete-li zajistit chrániči kotouče, zavřete upínací páku.

**Uzavřená strana ochranného krytu musí směřovat vždy směrem k obsluze.**

**POZNÁMKA:** Zatímco máte upínací páčku v otevřené poloze, lze otáčet seřizovaným šroubem upínací a zajistit tak bezpečné uchycení krytu po zavření upínací páčky.

Viz C

## POUŽITÍ

Použití hlavního spínače zap./vyp.

Viz D

Místa pro úchop

Viz E

Hrubé obroušení



**VAROVÁNÍ!** Nikdy nepoužívejte řezný kotouč pro hrubé obroušení.

Řezání

Viz F

Použití otočné rukojeti

Viz G

Výměna kartáčů

Viz H

## PRACOVNÍ RADY PRO VAŠI BRUSKU

1. Vaše úhlová bruska je vhodná jak pro řezání kovu, tj. odstraňování hlav šroubů, tak pro čištění/přípravu povrchu, např. před a po svařování.
2. Různé typy kotoučů/řezáků umožňují použít brusku pro různé potřeby. Obvykle se kotouče/řezáky používají pro měkkou ocel, nerezovou ocel, kámen a

cihly. Kotouče s diamantovou hranou se používají pro velmi tvrdé materiály.

3. Pokud brusku používáte na měkké kovy jako je hliník, kotouč se brzy zanesa a bude nutné jej vyměnit.
4. Vždy nechte pracovat brusku, nikdy na kotouč/disk netlačte silou ani nevyvíjejte nadměrný tlak.
5. Řezání pomocí šablony zajišťuje, že je řezání podél šablony, přičemž zkroucením může dojít k rozlámání kotouče. Pokud řezáte tenkou desku materiálu, může nadměrná penetrace způsobit škodu.
6. Pokud řezáte kámen nebo cihlu, doporučuje se použít odsavač prachu.

## 6. ÚDRŽBA

**Před prováděním libovolných úprav nebo údržby odpojte nářadí od sítě.**

Vaše elektrické ruční nářadí nepotřebuje dodatečné mazání a údržbu.

Na vašem elektrickém ručním nářadí nejsou žádné části, které potřebují servisní zásah. Nikdy nepoužívejte vodu nebo chemické čističe na čištění vašeho ručního elektrického nářadí. Utírejte jej dočista suchým hadrem. Vždy jej skladujte na suchém místě. Udržujte ventilační otvory motoru čisté. Udržujte všechny pracovní ovladače čisté bez prachu. Občas můžete přes ventilační otvory vidět jiskry. Je to normální a nepoškodí to vaše ruční elektrické nářadí. Pokud je napájecí kabel poškozený, musí být vyměněn výrobcem, servisním technikem nebo stejně kvalifikovanou osobou, aby se zabránilo riziku.


## 7. ODSTRAŇOVÁNÍ PROBLÉMŮ

Ačkoliv je ovládání této nové úhlové brusky skutečně velmi jednoduché, setkáte-li se s problémy, proveďte následující kontrolu:

1. Pokud bruska nefunguje, zkontrolujte napájení a zástrčku napájecího kabelu.
2. Pokud kotouč brusky kmitá nebo vibruje, zkontrolujte, zda je vnější příruba utažená; zkontrolujte, zda je kotouč správně nasazen na desce příruby.
3. Pokud je kotouč viditelně poškozen, nepoužívejte jej, protože poškozený kotouč se může roztrhnout; sejměte jej a nahraďte novým kotoučem. Staré kotouče ekologicky zlikvidujte.
4. Při práci na hliníku nebo podobné měkké slitině se kotouč brzy zanesa a nebude dostatečně brousit.

## 8. OCHRANA ŽIVOTNÍHO PROSTŘEDÍ



Vysloužilé elektrické přístroje nevyhazujte společně s domovním odpadem. Nářadí  recyklujte ve sběrnách k tomu účelu zřízených. O možnostech recyklace se informujte na místních úřadech nebo u prodejce.

## 9. PROHLÁŠENÍ O SHODĚ

My,  
Positec Germany GmbH  
Postfach 32 02 16, 50796 Cologne, Germany

Prohlašujeme, že tento výrobek  
Popis **Úhlová bruska Worx**  
Typ **WX709 WX709.X (700-749 - označení stroje, zástupce Úhlová bruska)**  
Funkce **Vnější a boční broušení**

Je v souladu s následujícími směrnici:  
**2006/42/EC, 2011/65/EU&(EU)2015/863  
2014/30/EU**

Splňované normy  
**EN 55014-1, EN 55014-2  
EN IEC 61000-3-2, EN 61000-3-3  
EN 60745-1, EN 60745-2-3**

Osoba oprávněná uspořádat technický soubor :  
**Název Marcel Filz**  
**Adresa Positec Germany GmbH**  
**Postfach 32 02 16, 50796 Cologne, Germany**



2021/10/15  
Allen Ding  
Zástupce vrchní konstrukční kanceláře,  
Testování & Certifikace  
Positec Technology (China) Co., Ltd  
18, Dongwang Road, Suzhou Industrial  
Park, Jiangsu 215123, P. R. China

## OBSAH

1. BEZPEČNOSTNÉ POKYNY
2. ZOZNAM SÚČASTÍ
3. TECHNICKÉ ÚDAJE
4. ÚČEL POUŽITIA
5. NÁVOD NA POUŽITIE
6. ÚDRŽBA
7. ODSTRÁNENIE ZÁVAD
8. OCHRANA ŽIVOTNÉHO PROSTREDIA
9. PREHLÁSENIE O ZHODE

## 1. BEZPEČNOSTNÉ POKYNY VŠEOBECNÉ BEZPEČNOSTNÉ VAROVANIA NA POUŽÍVANIE ELEKTRICKÉHO NÁRADIA



**VAROVANIE: Prečítajte všetky bezpečnostné varovania a inštrukcie.**

Chyba pri sledovaní varovaní a inštrukcií môže viesť k elektrickému šoku, vypuknutiu požiaru a/alebo k vážnym zraneniam.

**Odložte si všetky varovania a inštrukcie pre budúcu potrebu.**

Výraz „elektrické ručné náradie“ vás vo varovaniach odkazuje buď na náradie na elektrický pohon (napájané z elektrickej siete) alebo na akumulátorové náradie (napájané z akumulátora).

- 1. BEZPEČNOSŤ NA PRACOVISKU**
  - a) Udržujte pracovisko čisté a dobre osvetlené.**  
Pracovisko plné nepotrebných predmetov alebo slabo osvetlené zvyšuje možnosť úrazu.
  - b) Nepoužívajte elektrické ručné náradie v prostredí náchylnom na explózie, ako napríklad v prítomnosti horľavých tekutín, plynov alebo prachu.** Elektrické ručné náradie vytvára iskry, ktoré môžu vznietiť prach alebo výpary.
  - c) Udržujte deti a prizerajúcich sa v dostatočnej vzdialenosti pri práci s elektrickým ručným náradím.** Strata pozornosti môže viesť k strate kontroly nad náradím.
- 2. BEZPEČNOSŤ PRI PRÁCI S ELEKTRINOU**
  - a) Prípojky elektrického ručného náradia musia byť zhodné so zástrčkami. Nemodifikujte prípojku žiadnym spôsobom. Nepoužívajte spolu s uzemneným ručným náradím žiadne adaptérové prípojky, ktoré neumožňujú ochranu uzemnením.** Pôvodné prípojky a k

nim prislúchajúce zástrčky znižujú riziko úrazu elektrickým prúdom.

- b) Vyhýbajte sa kontaktu s uzemnenými povrchmi, ako napríklad rúrkami, radiátormi, sporákmi a chladničkami.** Keď je vaše telo spojené s uzemneným predmetom alebo stojí na uzemnenom území, je zvýšené riziko elektrického šoku.
- c) Nevystavujte ručné náradie dažďu alebo vlhkým podmienkam.** Keď sa voda dostane pod povrch elektrického ručného náradia, je zvýšené riziko elektrického šoku.
- d) Nezaobchádzajte s káblom prípojky necitlivo. Nikdy si nepríťahuje elektrické ručné náradie k sebe pomocou kábla, neťahajte ho za sebou pomocou kábla a nevytvárajte kábel zo zástrčky aby ste ručné náradie vyplli.** Nevystavujte kábel vysokým teplotám, oleju, ostrým hranám alebo pohyblivým častiam. Poškodené alebo zamotané káble môžu viesť k zvýšenému riziku elektrického šoku.
- e) Pri práci s ručným náradím v exteriéri použite predlžovací kábel vhodný na použitie v exteriéri.** Použitím kábla vhodného na použitie v exteriéri redukuje riziko vzniku elektrického šoku.
- f) Pokiaľ je práca s ručným náradím vo vlhkých podmienkach nevyhnutná, použite napájanie chránené ističom typu prúdový chránič (RCD).** Použitie RCD ističa redukuje riziko vzniku elektrického šoku.

### 3. OSOBNÁ BEZPEČNOSŤ

- a) Bud'te sústredení, sledujte, čo robíte, a pri práci s ručným náradím sa riaďte zdravým rozumom. Nepoužívajte ručné náradie, keď ste unavení alebo pod vplyvom omamných látok, alkoholu alebo liekov.** Moment nepozornosti pri práci s ručným náradím môže viesť k vážnemu osobnému zraneniu.
- b) Použite osobné ochranné pomôcky. Vždy noste ochranu očí.** Ochranné pomôcky, ako napríklad protiprachová maska, topánky s protišmykovou podrážkou alebo chrániče sluchu použité v príslušných podmienkach pomáhajú redukovat' vážne osobné zranenia.
- c) Predíd'te neúmyselnému zapnutiu. Uistite sa, že prepínač je vo vypnutej pozícii, pred tým, než zapojíte náradie do elektriny a/alebo k akumulátoru, pri zdvihnutí alebo nosení náradia.** Nosenie náradia s prstom na prepínači alebo aktívneho náradia, ktoré je zapnuté, zvyšuje možnosť úrazu.
- d) Odstráňte akékoľvek nastavovacie kľúče alebo kľúče na matice a skrutky pred tým, než zapnete ručné náradie.** Nastavovací alebo iný kľúč ponechaný pripevnený na rotujúcej časti ručného náradia môže spôsobiť osobný úraz.
- e) Nepreceňujte sa. Udržujte si stabilitu a pevnú**

**zem pod nohami za každých podmienok.**

Umožňuje vám to lepšiu kontrolu nad ručným náradím v neočakávaných situáciách.

- f) Oblečte sa náležite. Nenoste voľné oblečenie alebo šperky. Udržujte svoje vlasy, oblečenie a rukavice vzdialené od pohyblivých častí.** Voľné oblečenie, šperky alebo dlhé vlasy sa môžu do pohyblivých častí zachytiť.
- g) Pokiaľ sú zariadenia nastavené na spojenie so zariadeniami na zachytávanie a extrakciu prachu, uistite sa, že sú náležite využitie a pripojené.** Použitím zberača prachu redukuje riziká spojené s prachom.

### 4. POUŽITIE A ÚDRŽBA RUČNÉHO NÁRADIA

- a) Nepreťažujte ručné náradie. Použite správne ručné náradie na danú činnosť.** Správne ručné náradie spraví prácu lepšie a v medziach, na ktoré bolo navrhnuté.
- b) Nepoužívajte ručné náradie, pokiaľ sa prepínač nepripína medzi zapnutím a vypnutím.** Akékoľvek ručné náradie, ktoré nie je kontrolovateľné prepínačom, je nebezpečné a musí byť opravené.
- c) Odpojte prípojku ručného náradia od zdroja energie a/alebo akumulátora pred tým, než začnete robiť akékoľvek úpravy, vymieňať doplnky alebo uskladňovať ručné náradie.** Takéto preventívne bezpečnostné opatrenia redukovujú riziko náhodného zapnutia ručného náradia.
- d) Keď ručné náradie nepoužívate, skladujte ho mimo dosahu detí a nedovoľte osobám, ktoré nemajú skúsenosti s prácou s ručným náradím alebo neboli oboznámené s týmito inštrukciami, dotýkať sa náradia.** Ručné náradie je nebezpečné v rukách netrénovanej osoby.
- e) Údržba ručného náradia. Skontrolujte chybné pripojenia alebo spojenia pohyblivých častí, zlomené časti alebo iné okolnosti, ktoré by mohli ovplyvniť funkčnosť ručného náradia. Pri poškodení musí byť pred použitím najprv elektrické ručné náradie opravené.** Mnoho úrazov vzniká preto, že je elektrické ručné náradie zle udržiavané.
- f) Udržujte rezacie nástroje ostré a čisté.** Náležite udržiavané rezacie nástroje s ostrými rezacími hranami sú menej náchylné na „zaseknutie“ a sú ľahšie ovládateľné.
- g) Používajte elektrické náradie v súlade týmito pokynmi, berte pritom do úvahy pracovné podmienky a druh vykonávanej práce.** Ak sa elektrické náradie použije na iné účely, než na čo je určené, môže dochádzať k nebezpečným situáciám.

### 5. SERVIS

- a) Servisné práce na náradí nechajte vykonať kvalifikovaných pracovníkov s použitím**

**originálnych náhradných dielov.** Výsledkom bude trvalá bezpečnosť pri práci s elektrickým náradím.

## BEZPEČNOSTNÉ POKYNY PRE VŠETKY ČINNOSTI

### BEZPEČNOSTNÉ VÝSTRAHY SPOLOČNÉ PRE ČINNOSTI BRÚSENIA A ROZBRUSOVANIA:

- a) **Toto náradie je určené na fungovanie ako brúska. Prečítajte si všetky výstrahy, pokyny, prezrite si obrázky a technické parametre poskytované s touto brúskou.** Neschopnosť dodržiavať varovania a pokyny môže viesť k elektrickému šoku, vypuknutiu požiaru a/alebo k vážnym zraneniam.
- b) **Pomocou tohto elektrického náradia vám neodporúčame vykonávať činnosti, ako je brúsenie, brúsenie drôtenou kefou ani leštenie.** Činnosti, pre ktoré nebolo elektrické náradie navrhnuté, môžu byť rizikové a dôsledkom môže byť osobné poranenie.
- c) **Používajte iba výrobcom konštruované a odporúčané príslušenstvo.** Skutočnosť, že sa príslušenstvo dá namontovať na vašu brúsku, neznamená, že bude aj bezpečne fungovať.
- d) **Príslušenstvo musí byť stavané najmenej pre menovité otáčky vyznačené na brúske,** príslušenstvo používané pri vyšších ako týchto menovitých otáčkach sa môže rozletieť na kusy.
- e) **Vonkajší priemer a hrúbka príslušenstva (brúsneho kotúča) musia vyhovovať parametrom brúsky.** Brúsne kotúče nesprávnej veľkosti nemožno primerane chrániť ani ovládať.
- f) **Pracovné nástroje, ktoré sú vybavené vložkou so závitom, musia presne pasovať na závit brúsneho vretena. Pri takých pracovných nástrojoch, ktoré sa montujú pomocou príruby, treba priemer otvoru pracovného nástroja prispôbiť upínaciu priemeru príruby.** Pracovné nástroje, ktoré nie sú presne upevnené do upínacieho mechanizmu ručného elektrického náradia, sa otáčajú nerovnomerne a intenzívne vibrujú, čo môže mať za následok stratu kontroly nad ručným elektrickým náradím.
- g) **Poškodené príslušenstvo nepoužívajte. Pred použitím každú časť, ako sú brúsne kotúče a podložné doštičky, prezrite, či nemajú praskliny alebo vystrbené okraje, nie sú opotrebované. Pri drôtených kefách kontrolujte zlomené alebo vypadnuté drôty. Ak vám brúska spadne na zem, overte vzniknuté poškodenie a prípadne namontujte nepoškodené príslušenstvo.** Po tom, čo ste prezreli a namontovali príslušenstvo, vzdialte sa spolu s ostatnými prítomnými osobami mimo roviny otáčania príslušenstva a nechajte

brúsku bežať asi minútu bez záťaže. Poškodené príslušenstvo sa obvykle v priebehu tohto testu rozpadne na kusy.

- h) **Používajte osobné ochranné prostriedky. Podľa druhu práce použite tvárový štít, ochranné alebo bezpečnostné okuliare. Podľa potreby použite protiprachovú masku, chrániče sluchu, rukavice a pracovnú zásteru, ktorá je schopná zastaviť malé abrazívne predmety, alebo kusy brúsneho materiálu. Ochrana zraku musí byť schopná zachytiť odletujúce malé kúsky vznikajúce pri rôznych prácach.** Protiprachová maska alebo respirátor musia byť schopné odfiltrovať častice vzniknuté počas práce. Dlhšia expozícia silnému hluku môže poškodiť sluch.
- i) **Nedovoľte tretím osobám prístup na pracovisko. Každá osoba na pracovisku musí používať osobné ochranné prostriedky.** Kusy materiálu alebo pracovného nástroja môže odletovať a spôsobiť zranenie aj vo väčších vzdialenostiach od samotného miesta brúsenia.
- j) **Tam, kde by sa elektrické náradie pri práci mohlo dostať do kontaktu so zakrytými vodičmi alebo svojou vlastnou napájacou šnúrou, náradie držte za izolované úchopové časti.** Kontakt s elektrickým vedením, ktoré je pod napätím, môže dostať pod napätie aj kovové súčiastky náradia a spôsobiť zásah elektrickým prúdom.
- k) **Napájacia šnúra sa nesmie dostať do blízkosti otáčajúcich sa častí.** Ak nad náradím stratíte kontrolu, napájacia šnúra sa môže narezať, zachytiť a vtiahnuť vaše ruky k otáčajúcim sa častiam náradia.
- l) **Náradie neodkladajte, kým sa motor otáča.** Otáčajúci sa pracovný nástroj sa môže zarezáť do povrchu a vytrhnúť náradie spod vašej kontroly.
- m) **Náradie pri prenášaní opreté o bok nesmie byť zapnuté.** Náhodný kontakt s otáčajúcim sa pracovným nástrojom môže spôsobiť zachytenie odevu a pritiahnutie náradia k telu.
- n) **Pravidelne čistíte vetracie otvory motora.** Vetrák motora nasáva dovnútra krytu brúsky prach a prílišné nahromadenie práškového kovu môže spôsobiť skrat.
- o) **Brúsku nepoužívajte v blízkosti horľavých materiálov.** Odletujúce iskry môžu spôsobiť jeho vznietenie.
- p) **Nepoužívajte príslušenstvo, ktoré si vyžaduje chladenie kvapalinami.** Použitie vody alebo iného kvapalného chladiva môže viesť k úrazu elektrickým prúdom alebo šoku.
- q) **Svoje náradie počas práce držte za rukoväť. Používajte prídavné rukoväť rukoväti spolu s náradím.** Strata kontroly môže viesť k úrazu

# ĎALŠIE BEZPEČNOSTNÉ POKYNY PRE VŠETKY ČINNOSTI

## Vymrštenie náradia a príbuzné výstrahy

Vymrštenie náradia je náhla reakcia na zovretý alebo zachytený brúsny kotúč, podložnú doštičku, kefku alebo iné príslušenstvo. Príškripnutie alebo zovretie brúsneho kotúča spôsobí jeho náhle zastavenie, v dôsledku čoho vznikajú sily, ktoré sa náradie v bode zovretia snažia odhodiť opačným smerom ako smer otáčania.

Ak je napríklad brúsny kotúč zachytený alebo príškripnutý opracovávaným kusom materiálu, okraj kotúča vnikajúci do miesta príškripnutia sa môže zasaknúť do materiálu a spôsobiť, že kotúč vylezie alebo je vyhodенý von. Kotúč môže poskočiť dopredu alebo preč od pracovníka, v závislosti od pohybu kotúča v mieste jeho zastavenia. Brúsny kotúč sa môže za týchto podmienok rozletieť na kusy.

Vyhodenie kotúča z drážky je výsledkom nesprávneho používania náradia a/alebo neprávneho postupu rezania či podmienok rezania a dá sa mu zabrániť, ak sa dodržia nižšie uvedené pokyny.

- Náradie pevne držte a stojte tak, aby vaše ramená a telo umožňovali vzdorovať vymršteniu náradia. Vždy používajte prídavnú rukoväť, ak je k dispozícii, získate tým maximálnu kontrolu nad snahou náradia vytrhnúť sa z rúk, alebo silám pri zapnutí náradia.** Pracovník je schopný zvládnuť sily krútiaceho momentu uvoľnené pri príškripnutí kotúča alebo spustení náradia.
- Ruky nikdy nedávajte do blízkosti rotujúcich častí náradia.** Príslušenstvo môže byť vymrštené cez vaše ruky.
- Postavte sa tak, aby ste nestáli v smere, v ktorom bude náradie potenciálne vymrštené,** Smer vymrštenia náradia je opačný ako smer otáčania kotúča v momente zastavenia.
- Buďte mimoriadne opatrní pri práci v rohoch, pri ostrých okrajoch a pod. tak, aby pracovný nástroj nenarazil ani nebol zachytený.** Rohy, ostré uhly a poskakovanie nástroja zvyšujú riziko zastavenia nástroja a následnú stratu kontroly nad náradím.
- Nenasadzujte pilový rezbársky list ani ozubený pilový list.** Takéto čepele vytvárajú časté spätné nárazy a stratu ovládania.

# ĎALŠIE BEZPEČNOSTNÉ POKYNY PRE ČINNOSTI BRÚSENIA A ROZBRUSOVANIA

**Bezpečnostné výstrahy špeciálne pre činnosti brúsenia a abrazívneho rezania:**

- Vždy používajte ochranný kryt navrhnutý pre typ kotúča, ktorý používate. Kryt musí byť s náradím pevne spojený a umiestnený pre maximálnu bezpečnosť tak, aby voči pracovníkovi bola obnažená čo najmenšia časť kotúča.** Ochranný kryt pomáha chrániť osobu pred kusmi prasknutého kotúča a náhodným kontaktom s kotúčom.
- Lomené brúsne kotúče treba montovať tak, aby ich brúsna plocha neprečnievala cez rovinnú okraja ochranného krytu.** Neodborne namontovaný brúsny kotúč, ktorý prečnieva cez rovinnú okraja ochranného krytu, sa nedá dostatočne odcloniť.
- Používajte iba také brúsne a rezné kotúče, ktoré sú určené pre vaše náradie a typ ochranného preň určeného.** Rezacie kotúče sú určené na uberanie materiálu hranou kotúča. Pôsobenie bočnej sily na tento kotúč môže spôsobiť jeho zlomenie.
- Kotúče treba používať iba pre odporúčané činnosti.** Napríklad: nepoužívajte bočnú stranu kotúča na obrusovanie, Abrazívne rezné kotúče sú určené pre periférne brúsenie, ak na nich pôsobia bočné sily, môžu sa rozletieť na kusy.
- Vždy používajte nepoškodené kotúčové príruby správnej veľkosti a tvaru pre vami zvolený typ kotúča.** Správne príruby kotúča sa opierajú o kotúč a znižujú tak riziko jeho prasknutia. Príruby pre rezné kotúče sú iné ako príruby pre brúsne kotúče.
- Nepoužívajte opotrebené kotúče z väčšieho typu elektrického náradia.** Ak pochádza z väčšieho typu náradia, nie je kotúč vhodný pre väčšie otáčky malého náradia a môže sa rozletieť.

# ĎALŠIE BEZPEČNOSTNÉ POKYNY PRE ČINNOSTI ROZBRUSOVANIA

**Dodatočné bezpečnostné výstrahy špeciálne pre činnosti abrazívneho rezania:**

- Rezný kotúč sa nesmie zaseknúť ani naň nesmie byť vyvíjaný prílišný tlak. Nesnažte sa urobiť veľmi hlboký rez.** Prílišné namáhanie kotúča zvyšuje jeho záťaž a náchylnosť ku skrúteniu alebo zaseknutiu v reze s následným vymrštením náradia a straty kontroly nad ním.
- Nikdy nestojte priamo v línii rezu.** Ak sa kotúč v mieste operácie pohybuje smerom od vášho tela, možné vymrštenie kotúča a náradia bude smerovať priamo na vás.
- Ak sa kotúč zasekne alebo rezanie z nejakého dôvodu treba prerušiť, uvoľnite vypínač a držte pílu nehybne v materiáli, kým sa kotúč**



**nezastaví.** Nikdy nevyberajte rezný kotúč z rezu, kým sa otáča, inak môže dôjsť k vymršteniu náradia. Preskúmajte príčiny zovretia kotúča a nájdite spôsob, ako tomu zabrániť.

- d) Ak náradie stojí v reze, nepokračujte v rezaní tým, že náradie zapnete. Pred začatím rezania nechajte kotúč nabehnúť do pracovných otáčok a potom ho vložte do rezu.** Ak sa náradie spustí s kotúčom v reze, kotúč sa môže zaseknúť, vybehnúť z rezu alebo je celé náradie vymrštené z materiálu.
- e) Veľké ploché kusy podložte, aby ste znížili riziko zovretia kotúča a vymrštenia píly. Veľké kusy sa pri rezaní vlastnou váhou ohýbajú.** Podložka musí byť pod oboma koncami rezaného kusa, blízko línie rezu a pri okraji rezaného kusa.
- f) Mimoriadne opatrní buďte pri „zarezaní“ do existujúcich stien alebo iných povrchov, za ktoré nie je vidieť.** Prečnievajúci kotúč môže zarezať do vodovodných rúrok, elektrických rozvodov alebo objektov, ktoré sú schopné zastaviť kotúč a odmrštiť náradie.

	Používajte ochranné rukavice.
	Uistite sa, že pred výmenou príslušenstva je nástroj odpojený.
	Zamknúť
	Odomknúť
	Elektrické výrobky sa nesmú likvidovať spolu s domácim odpadom. Recyklujte v zberných miestach na tento účel zriadených. O možnosti recyklácie sa informujte na miestnych úradoch alebo u predajcu.

## ĎALŠIE BEZPEČNOSTNÉ PREDPISY TÝKAJÚCE SA UHLOVEJ BRÚSKY

**⚠ VÝSTRAHA:** Rukoväť musí byť pred spustením uhlovej brúsky v zaistenej polohe. Rukoväťou sa môže otáčať iba vo vypnutom stave.

## SYMBOLY

	Kvôli zníženiu rizika poranenia je potrebné, aby si používateľ najprv prečítal návod.
	Dvojitá izolácia
	Výstraha
	Používajte chrániče sluchu
	Používajte ochranu očí
	Používajte protiprachovú masku


## 2. ZOZNAM SÚČASTÍ

1.	PRÍDAVNÁ RUKOVÄŤ
2.	OTOČNÉ TLAČIDLO
3.	TLAČIDLO ZAPNÚT/VYPNÚT
4.	ODIŠŤOVACIE TLAČIDLO
5.	KRYT KEFKY KOMUTÁTORA
6.	OCHRANNÝ KRYT BRÚSNEHO KOTÚČA
7.	PÍLOVÝ KOTÚČ*
8.	ZAISŤOVACIE TLAČIDLO VRETENA
9.	KLÚČ NA MATICE
10.	VNÚTORNÁ PRÍRUBA
11.	VONKAJŠIA PRÍRUBA
12.	OCHRANNÝ KRYT PRE REZANIE
13.	PÁČKA NA UPNUTIE OCHRANNÉHO KRYTU

\* Štandardná dodávka neobsahuje všetko zobrazené či opísané príslušenstvo.

### 3. TECHNICKÉ ÚDAJE

Typ **WX709 WX709.X (700-749 - označenie zariadenia, zástupca Uhlová brúska)**

	<b>WX709 WX709.X**</b>
Napätie	230-240 V~50 Hz
Príkion	2350 W
Otáčky naprázdno	6500 /min
Veľkosť kotúča	230 mm
Otvor kotúča	22.2 mm
Závit vretena	M14
Priemer brúsnych kotúčov	230 mm
Max. hrúbka brúsnych kotúčov	6 mm
Trieda ochrany	 /II
Hmotnosť zariadenia	5.7 kg

\* X = 1-999, A-Z, M1-M9 sú len pre rôznych zákazníkov, medzi týmito modelmi nie sú žiadne zmeny týkajúce sa bezpečnosti.

Odporúčame príslušenstvo kúpiť v rovnakom obchode ako samotné náradie. Podrobnejšie informácie sú priložené k jednotlivému príslušenstvu. Odborní predavači vám pomôžu a poradia.

### ÚDAJE O HLUČNOSTI A VIBRÁCIÁCH

Nameraný akustický tlak  $L_{DA}$ : 96 dB(A)

Nameraný akustický výkon  $L_{WA}$ : 107 dB(A)

$K_{DA}$  &  $K_{WA}$  3.0dB(A)

Používajte chrániče sluchu 

### INFORMÁCIE O VIBRÁCIÁCH

Výsledné celkové hodnoty pre vibrácie (suma pre trojosový vektor) stanovené podľa normy EN 60745:

Brúsenie povrchu	Hodnota emisie vibrácií : $a_{h,AG} = 8.4 \text{ m/s}^2$
	Nezaneslivosť meritve $K = 1.5 \text{ m/s}^2$

Deklarovaná celková hodnota vibrácií a deklarovaná úroveň vytváraného hluku boli merané v súlade so štandardnými skúšobnými postupmi a môžete ich použiť na vzájomné porovnanie jednotlivých náradí. Deklarovaná celková hodnota vibrácií a deklarovaná úroveň vytváraného hluku môžu byť tiež použité na predbežné stanovenie doby práce s náradím.



**VAROVANIE:** Vibrácie a hlučnosť pri aktuálnom použití elektrického náradia sa od deklarovaných môžu líšiť v závislosti od spôsobu, akým je náradie používané, a hlavne od typu spracovávaného obrobku podľa nasledujúcich príkladov a ďalších spôsobov, akými je náradie používané:

Ako sa náradie používa a aké materiály sa budú rezať alebo vŕtať.

Náradie musí byť v dobrom stave a musí byť vykonávaná jeho riadna údržba.

S náradím sa musí používať správne príslušenstvo, a toto príslušenstvo musí byť ostré a v dobrom stave. Pevnosť uchopenia rukovätí a či je použité akékoľvek príslušenstvo znižujúce úroveň vibrácií a hluku.

Toto náradie môže byť použité iba na určené účely a podľa týchto pokynov.

**Ak sa toto náradie nepoužíva zodpovedajúcim spôsobom, môže spôsobiť syndróm choroby spôsobenej pôsobením vibrácií na ruky a paže obsluhy.**



**VAROVANIE:** Ak chcete byť presní, odhad času pôsobenia vibrácií v aktuálnych podmienkach pri použití tohto náradia by mal brať do úvahy taktiež všetky časti pracovného cyklu, ako sú časy, kedy je náradie vypnuté a kedy je v chode vo voľnobežných otáčkach, ale v skutočnosti nevykonáva žiadnu prácu. Čas pôsobenia vibrácií tak môže byť v rámci celkového pracovného času značne skrátený.

Pomáha minimalizovať riziko pôsobenia vibrácií a hluku.

VŽDY používajte ostré sekáče, vŕtáky a nože.

Vykonávajte údržbu tohto náradia podľa týchto pokynov a zaistíte jeho riadne mazanie (ak je to vhodné).

Ak bude náradie používané pravidelne, potom investujte do príslušenstva znižujúceho úroveň vibrácií a hluku.

Vypracujte si svoj plán práce, aby ste pôsobenie vysokých vibrácií tohto náradia rozdelili do niekoľkých dní.

### 4. URČENÉ POUŽITIE

Toto ručné elektrické náradie je určené na rezanie, na hrubovanie (obrusovanie) a na brúsenie kefou kovových a kamenných materiálov bez použitia vody. Na rezanie kovu treba používať špeciálny ochranný kryt na rezanie (príslušenstvo). Na rezanie kameňa treba

používať špeciálny odsávací kryt na rezanie s vodiacimi saňami (príslušenstvo).


používanie otočnej rukoväte	Pozri obr. G
výmena kefiiek komutátora	Pozri obr. H

## 5. NÁVOD NA POUŽITIE



**POZNÁMKA:** Pred tým, ako náradie použijete, prečítajte si návod na použitie.

### MONTÁŽ A OBSLUHA

Vykonaovaný úkon	Obr.
<b>ZOSTAVENIE</b>	
Inštalácia prídavnej rukoväti	Pozri obr. A
Montáž brúsnych / rezných kotúčov	Pozri obr. B1, B2, B3
Nastavenie ochranného krytu <b>POZNÁMKA: Pri práci s reznými alebo brúsnyimi kotúčmi musí byť používaný ochranný kryt. Pre každý typ operácií používajte vždy vhodný typ kotúča. Ak sa bude náradie používať na rezanie, musí byť vybavené krytom, ktorý je určený na tieto pracovné operácie.</b> Pri práci s reznými alebo brúsnyimi kotúčmi musí byť používaný ochranný kryt. Kódovaný výstupok na ochrannom kryte zaručuje, že na náradie sa dá namontovať iba kryt, ktorý sa tam hodí. Uvoľnite upínaciu páčku. Ochranný kryt s kódovaným výstupkom vložte do zodpovedajúcej drážky na golerii vretena v hlave náradia a otočte ho do požadovanej (pracovnej) polohy. Kryt brúsneho kotúča upevnite zatvorením upínacej páčky. <b>Zavretá strana krytu musí vždy smerovať k pracovníkovi.</b> <b>POZNÁMKA:</b> Keď je upínacia páčka v otvorenej polohe, skrutku na nastavenie upnutia nastavte tak, aby bok ochranný kryt bezpečne upnutý, keď je upínacia páčka v zatvorenej polohe.	Pozri obr. C
<b>FUNCTIONNEMENT</b>	
Použitie hlavného vypínača zap./vyp.	Pozri obr. D
Miesto pre uchopenie	Pozri obr. E
Hrubé brúsenie  <b>VAROVNIE!</b> Nikdy nepoužívajte rezný kotúč na hrubé brúsenie.	
Rezanie	Pozri obr. F

## TIPY NA PRÁCU S BRÚSKOU

- Uhlová brúska je užitočná na rezanie materiálov, napr. na odstraňovanie hlavičiek skrutiek a tiež na čistenie alebo prípravu povrchov, napr. pred zváraním a po jeho skončení.
- Rôzne typy brúsnych a rezných kotúčov umožnia brúske uspokojiť rôzne potreby. Brúsne a rezné kotúče sú zvyčajne k dispozícii pre mäkkú oceľ, nehrdzavejúcu oceľ, kameň a tehly. Diamantom impregnované kotúče sú k dispozícii pre veľmi tvrdé materiály.
- Ak sa brúska používa na brúsenie mäkkých materiálov, ako napríklad hliník, brúsne kotúče sa veľmi rýchle zanesie a musí sa vymeniť.
- Brúska vždy nechajte pracovať a netlačte nasilu ani nevyvíjajte nadmerný tlak na brúsny ani rezný kotúč.
- Ak režete drážky, rezný kotúč musí byť zarovnaný s drážkou. Rezný kotúč by sa mohol pri otáčaní roztrhnúť. Ak režete tenký plech, vložte ho medzi dve podložky, pretože nadmerný prienik môže zvýšiť riziko vzniku škody.
- Ak režete kameň alebo tehly, vhodné je používať odsávač prachu.

## 6. ÚDRŽBA

**Pred vykonaním akéhokoľvek nastavovania, opráv a údržby odpojte brúsku od siete.**

Vaše náradie si nevyžaduje žiadne dodatočné mazanie ani údržbu.

Vaše náradie si nevyžaduje žiadny servisný zásah. Svoje náradie nikdy nečistíte vodou alebo chemickými čistiacimi prostriedkami. Vytrite ho suchou handrou. Náradie ukladajte na suchom mieste. Vetracie otvory motora udržiavajte čisté. Ovládacie prvky zbavujte prachu. Cez vetracie štrbiny občas možno vidieť iskrenie komutátora. Je to normálny stav a nepoškodzuje to vaše náradie.

Ak dôjde k poškodeniu napájacej šnúry, nechajte ju bezpečne vymeniť u výrobcu, v servise alebo inou príslušne kvalifikovanou osobou.

## 7. ODSTRÁŇOVANIE PROBLÉMOV

Aj keď je ovládanie vašej novej uhlovej rozbrusovačky skutočne veľmi jednoduché, keď sa vyskytnú problémy, urobte nasledujúce kontrolné činnosti:

- Ak brúska nebude fungovať, na hlavnej zástrčke skontrolujte napätie elektrického prúdu.
- Ak sa brúsny kotúč chveje alebo vibruje, skontrolujte, či je vonkajšia príruha utiahnutá; skontrolujte, či je brúsne koleso správne

umiestnené na príruke.

3. Ak existuje nejaký dôkaz, že brúsny kotúč je poškodený, nepoužívajte ho, pretože poškodený kotúč sa môže rozpadnúť. Vyberte ho a vymeňte za nový brúsny kotúč. Staré brúsne kotúče likvidujte racionálnym spôsobom.
4. Ak pracuje s hliníkom alebo podobnou mäkkou zliatinou, brúsny kotúč sa skoro zanesie a brúsenie bude neúčinné.

## 8. OCHRANA ŽIVOTNÉHO PROSTREDIA



Elektrické výrobky sa nesmú likvidovať spolu s domácim odpadom. Recyklujte v zberných miestach na tento účel zriadených. O možnosti recyklácie sa informujte na miestnych úradoch alebo u predajcu.

## 9. VYHLÁSENIE O ZHODE

My,  
Positec Germany GmbH  
Postfach 32 02 16, 50796 Cologne, Germany

Vyhlasujeme, že tento výrobok:  
Popis **Uhlová brúska Worx**  
Typ **WX709 WX709.X (700-749 - označenie zariadenia, zástupca Uhlová brúska)**  
Funkcie **Okrajové a pozdĺžne brúsenie**

Zodpovedá nasledujúcim smerniciam:  
**2006/42/EC, 2011/65/EU & (EU) 2015/863 2014/30/EU**

Spĺňa posudzované normy:  
**EN 55014-1, EN 55014-2**  
**EN IEC 61000-3-2, EN 61000-3-3**  
**EN 60745-1, EN 60745-2-3**

Osoba oprávnená za zostavenie technického súboru:  
**Názov: Marcel Filz**  
**Adresa: Positec Germany GmbH**  
**Postfach 32 02 16, 50796 Cologne, Germany**



2021/10/15  
Allen Ding  
Zástupca vrchnej konštrukčnej kancelárie, Testovanie & Certifikácia  
Positec Technology (China) Co., Ltd  
18, Dongwang Road, Suzhou Industrial Park, Jiangsu 215123, P. R. China

## KAZALO VSEBINE

1. VARNOSTNA NAVODILA
2. SESTAVNI DELI
3. TEHNIČNI PODATKI
4. NAMEN UPORABE
5. NAVODILA ZA UPORABO
6. VZDRŽEVANJE
7. ODPRAVLJANJE NAPAK
8. VAROVANJE OKOLJA
9. IZJAVA O SKLADNOSTI

## 1. VARNOSTNA NAVODILA SPLOŠNA VARNOSTNA NAVODILA ZA ELEKTRIČNA ORODJA



**OPOZORILO! Preberite vsa opozorila in napotke. Napake zaradi neupoštevanja spodaj navedenih opozoril in napotil lahko povzročijo električni udar, požar in/ali težke telesne poškodbe.**

**Vsa opozorila in napotila shranite, ker jih boste v prihodnje lahko potrebovali.**

Pojem „električno orodje“, ki se pojavlja v nadaljnjem besedilu, se nanaša na električna orodja z električnim pogonom (z električnim kablom) in na akumulatorska električna orodja (brez električnega kabla).

- 1) Varnost na delovnem mestu**
  - a) Delovno mesto o vedno čisto in dobro osvetljeno.** Nered in neustrezna osvetlitev delovnega mesta lahko povzročita nezgode.
  - b) Ne uporabljajte električnega orodja v okolju, kjer lahko pride do eksplozij oziroma tam, kjer se nahajajo vnetljive tekočine, plini ali prah.** Električna orodja povzročajo iskre, zaradi katerega se lahko prah ali hlapci vnamejo.
  - c) Prosimo, da med uporabo električnega orodja ne dovolite otrokom ali drugim osebam, da bi se zadrževali v območju uporabe.** Usmerjanje pozornosti drugam lahko povzroči izgubo nadzora nad orodjem.

- 2) Električna varnost**
  - a) Vtikač napajalnega kabla orodja se mora prilegati vtičnici. Spreminjanje vtikača na kakršenkoli način ni dovoljeno.** Pri ozemljenih električnih orodjih ne uporabljajte vtičavev z adapterji. Nespremenjeni vtičaci in ustrezne vtičnice zmanjšujejo tveganje električnega udara.

- b) Izogibajte se telesnemu stiku z ozemljenimi površinami kot so na primer cevi, grelci, štedilniki in hladilniki.** Tveganje električnega udara je večje, če je vaše telo ozemljeno.
- c) Prosimo, da orodje zavarujete pred dežjem ali vlago.** Vdor vode v električno orodje povečuje tveganje električnega udara.
- d) Napajalnega kabla ne uporabljajte za nošenje ali obešanje električnega orodja in ne vlecite za kabl, če želite vtičak izvleči iz vtičnice.** Kabel zavarujte pred vročino, oljem, ostrimi robovi ali premikajočimi se deli orodja. Poškodovani ali zapleteni kabli povečujejo tveganje električnega udara.
- e) Kadar uporabljate električno orodje zunaj, uporabljajte le kableske podaljške, ki so primerni za delo na prostem.** Uporaba kableskega podaljška, ki je primeren za delo na prostem, zmanjšuje tveganje električnega udara.
- f) Če je uporaba električnega orodja v vlažnem okolju neizogibna, uporabljajte stikalo za zaščito pred diferenčnim tokom.** Uporaba zaščitnega stikala zmanjšuje tveganje električnega udara.
- 3) Osebna varnost**
- a) Bodite pozorni, pazite kaj delate ter se dela z električnim orodjem lotite z razumom.** Ne uporabljajte električnega orodja, če ste utrujeni oziroma ste pod vplivom mamil, alkohola ali zdravil. Trenutek nepazljivosti med uporabo električnega orodja je lahko vzrok za resne telesne poškodbe.
- b) Uporabljajte osebno zaščitno opremo in vedno nosite zaščitna očala.** Nošenje osebne zaščitne opreme, na primer maske proti prahu, nedrsečih zaščitnih čevljev, varnostne čelade ali zaščitnih glušnikov, kar je odvisno od vrste in načina uporabe električnega orodja, zmanjšuje tveganje telesnih poškodb.
- c) Izogibajte se nenamernemu zagonu. Pred priključitvijo električnega orodja na električno omrežje in/ali na akumulator in pred dviganjem ali nošenjem se prepričajte, če je električno orodje izklopljeno.** Prenašanje orodja s prstom na stikalo ali priključitev vklopljenega električnega orodja na električno omrežje je lahko vzrok za nezgodo.
- d) Pred zagonom električnega orodja odstranite nastavitvena orodja ali izvijače.** Orodje ali ključ, ki se nahaja v vrtečem se delu orodja, lahko povzroči telesne poškodbe.
- e) Izogibajte se nenormalni telesni drži. Poskrbite za trdno stojišče in za stalno ravnotežje.** Tako boste v nepričakovanih situacijah električno orodje lahko bolje nadzorovali.
- f) Nosite primerna oblačila. Ne nosite ohlapnih oblačil in nakita. Z lasmi, oblačili ali rokavicami se ne približujte premikajočim se delom orodja.** Premikajoči se deli orodja lahko zagrabijo ohlapno

oblačilo, dolge lase ali nakit.

- g) Če je na orodje možno montirati priprave za odsesavanje ali prestrežanje prahu, se prepričajte, če so le-te priključene in če se pravilno uporabljajo.** Uporaba priprave za odsesavanje prahu zmanjšuje zdravstveno ogroženost zaradi prahu.
- 4) Skrbna uporaba in ravnanje z električnimi orodji**
- a) Ne preobremenjujte orodja. Pri delu uporabljajte električna orodja, ki so za to delo namenjena.** Z ustreznim električnim orodjem boste v konkretni situaciji delali bolje in varneje.
- b) Ne uporabljajte električnega orodja, če je stikalo za vklop/izklop v okvari.** Električno orodje, ki se ne da več vklopiti ali izklopiti, je nevarno in ga je potrebno popraviti.
- c) Pred nastavljanjem orodja, menjavo delov pribora ali odlaganjem orodja, izvlecite vtičak iz električne vtičnice in/ali odstranite akumulator.** Ta previdnostni ukrep preprečuje nenamerni zagon električnega orodja.
- d) Električna orodja, ki jih ne uporabljate, shranjujte izven dosega otrok.** Osebam, ki orodja ne poznajo ali niso prebrale teh navodil za uporabo, ga ne dovolite uporabljati. Električna orodja so nevarna, če jih uporabljajo neizkušene osebe.
- e) Skrbno negujte električno orodje. Nadzirajte brezhibno delovanje premičnih delov orodja, ki se ne smejo zatikati. Če so ti deli zlomljeni ali poškodovani do te mere, da ovirajo delovanje električnega orodja, jih je potrebno pred uporabo orodja popraviti.** Slabo vzdrževana električna orodja so vzrok za mnoge nezgode.
- f) Rezalna orodja vzdržujte tako, da bodo vedno ostra in čista.** Skrbno negovana rezalna orodja z ostrimi robovi se manj zatikajo in so lažje vodljiva.
- g) Električna orodja, pribor, vsadna orodja in podobno uporabljajte ustrezno tem navodilom.** Pri tem upoštevajte delovne pogoje in namen, za katerega boste orodje uporabljali. Uporaba električnih orodij v namene, ki so drugačni od predpisanih, lahko privede do nevarnih situacij.
- 5) Servisiranje**
- a) Vaše električno orodje naj popravlja le kvalificirano strokovno osebje, ki uporablja originalne nadomestne dele.** Tako bo zagotovljena predpisana varna uporaba orodja.
- VARNOSTNA NAVODILA ZA DELOVANJE**
- SPOŠTA VARNOSTNA OPOZORILA ZA BRUŠENJE ALI ABRAZIVNO REZANJE:**
- a) To električno orodje je namenjeno za brušenje ter rezanje različnih materialov. Pred uporabo orodja, pozorno preberite vsa varnostna**

**opozorila, navodila, preglejte ilustracije ter preverite tehnične podatke orodja.**

Neupoštevanje opozoril in navodil lahko privede do električnega udara in/ali resnih poškodb.

- b) Ne priporočamo, da s tem orodjem izvajate operacije, kot so brušenje, ščetkanje, poliranje.** Če električno orodje uporabljate za nepredvidene operacije, s tem lahko povzročite telesne poškodbe.
- c) Ne uporabljajte pribora, ki ga proizvajalec za to orodje ni specialno predvidel in kate-rega uporabe ne priporoča.** Zgolj dejstvo, da lahko nek pribor pritrdite na Vaše električno orodje, še ne zagotavlja varne uporabe.
- d) Dovoljeno število vrtljajev vsadnega orodja mora biti najmanj tako visoko kot maksimalno število vrtljajev, ki je navedeno na električnem orodju.** Pribor, ki se vrti hitreje kot je dovoljeno, se lahko zlomi in leti naokrog.
- e) Zunanji premer in debelina vsadnega orodja morata ustrezati meram Vašega električnega orodja.** Napačno dimenzioniranih vsadnih orodij ne boste mogli dovolj dobro zavarovati ali nadzorovati.
- f) Če na električno orodje želite priviti dodatek, se mora njegov navoj natančno prilagajati navoju na orodju. Pri dodatkih, ki jih namestite na prirobnice, se mora premer prilagajati premeru prirobnice.** Dodatkov, ki dimenzijsko ne ustrezajo pritrdilni opremi električnega orodja, bodo delovali nebalansirano, zaradi česar bodo prekomerno vibrirali ter morda povzročili izgubo nadzora nad orodjem.
- g) Ne uporabljajte poškodovanih vsadnih orodij. Pred vsako uporabo preverite dodatek, kot so abrazivni koluti, glede razpok ter razrezanosti, podložno ploščo glede razpok, obrabljenosti ali iztrošenosti. Če pade električno orodje ali vsadno orodje na tla, pogledjte, če ni poškodovano in uporabljajte samo nepoškodovana vsadna orodja. Po kontroli in vstavljanju vsadnega orodja se ne zadržujte v ravnini vrtečega se vsadnega orodja, kar velja tudi za druge osebe v bližini. Električno orodje naj eno minuto deluje z najvišjim številom vrtljajev.** Poškodovana vsadna orodja se največkrat zlomijo med tem preizkusnim časom.
- h) Uporabljajte osebno zaščitno opremo. Odvisno od vrste uporabe si natakните zaščitno masko čez cel obraz, zaščitno za oči ali zaščitna očala. Če je potrebno, nosite zaščitno masko proti prahu, zaščitne glušnice, zaščitne rokavice ali specialni predpasnik, ki Vas bo zavaroval pred manjšimi delci materiala, ki nastajajo pri brušenju.** Oči je treba zavarovati pred tujki, ki nastajajo pri različnih vrstah uporabe naprave in letijo naokrog. Zaščitna maska proti prahu ali dihalna maska morata filtrirati prah,

ki nastaja pri uporabi. Predolgo izpostavljanje glasnemu hrupu ima lahko za posledico izgubo sluha.

- i) Pazite, da bodo druge osebe varno oddaljene od Vašega delovnega območja. Vsak, ki stopi na delovno območje, mora nositi osebno zaščitno opremo.** Odlomljeni delci obdelovanca ali zlomljena vsadna orodja lahko odletijo stran in povzročijo telesne poškodbe, tudi izven nezvarnega delovnega območja.
- j) Če izvajate dela, pri katerih lahko vsadno orodje pride v stik s skritimi omrežnimi napeljavami ali z lastnim omrežnim kablom, smete napravu držati le na izoliranem ročaju.** Stik z napeljavo, ki je pod napetostjo, lahko povzroči, da so tudi kovinski deli naprave pod napetostjo, kar lahko povzroči električni udar.
- k) Omrežnega kabla ne približujte vrtečemu se vsadnemu orodju.** Če izgubite nadzor nad električnim orodjem, lahko orodje prereže ali zagradi kabel, Vaša roka pa zaide v vrteče se vsadno orodje.
- l) Ne odlagajte električnega orodja, dokler se vsadno orodje popolnoma ne ustavi.** Vrteče se vsadno orodje lahko pride v stik z odlagalno površino, zaradi česar lahko izgubite nadzor nad električnim orodjem.
- m) Električno orodje naj medtem, ko ga prenašate naokrog, ne deluje.** Vrteče se vsadno orodje lahko zaradi naključnega kontakta zagradi Vaše oblačilo in se zavrtja v Vaše telo.
- n) Prezračevalne reže Vašega električnega orodja morate redno čistiti.** Ventilator motorja povleče v ohišje prah in velika količina nabranega prahu je lahko vzrok za električno nevarnost.
- o) Ne uporabljajte električnega orodja v bližini gorljivih materialov.** Ti materiali se lahko zaradi iskrenja vnamejo.
- p) Ne uporabljajte vsadnih orodij, ki za hlajenje potrebujejo tekočino.** Uporaba vode ali drugih tekočin lahko povzroči električni udar.
- q) Med delom z obema rokama trdno držite orodje.** Če je orodju priložen dodatni ročaj, ga uporabite. Izguba nadzora lahko povzroči telesne poškodbe.

## **DODATNA VARNOSTNA NAVODILA ZA DELO**

### **Povratni udarec in ustrezna opozorila**

Povratni udarec je nenadna reakcija, ki nastane zaradi zagozdenja ali blokiranja vrtečega se vsadnega orodja, na primer brusilnega koluta, brusilnega krožnika, žične ščetke in podobnega. Zagozdenje ali blokiranje ima za posledico takojšnjo ustavitve vrtečega se vsadnega orodja. Nekontrolirano električno orodje se zaradi tega pospešeno premakne v smer, ki je nasprotna smeri vrtenja vsadnega orodja.

Če se na primer brusilni kolut zatakne ali zablokira v

obdelavancu, se lahko rob brusilnega koluta, ki je potopljen v obdelovanec, zaplete vanj in brusilni kolut se odloami ali povzroči povratni udarec. Brusilni kolut se nato premakne proti uporabniku ali proč od njega, odvisno od smeri vrtenja brusilnega koluta na mestu blokiranja. Blokirni koluti se lahko pri tem tudi zlomijo. Povratni udarec je posledica napačne ali po-manjkljive uporabe električnega orodja. Pre- prečite ga lahko z ustreznimi previdnostnimi ukrepi. Navedeni so v nadaljevanju besedila.

- a) **Dobro držite električno orodje in premaknite telo in roke v položaj, v katerem boste lahko prestregli moč povratnega udarca. Če je na voljo dodatni ročaj, ga obvezno uporabljajte in tako zagotovite najboljše možno nadziranje moči povratnih udarcev ali reakcijskih momentov pri zagonu naprave.** Z ustreznimi previdnostnimi ukrepi lahko uporabnik obvlada moč povratnih udarcev in reakcijskih momentov.
- b) **Nikoli z roko ne segajte v bližino vrtečih se vsadnih orodij.** V primeru povratnega udarca se lahko orodje premakne čez Vašo roko.
- c) **Ne približujte telesa področju, v katerega se lahko v primeru povratnega udarca premakne električno orodje.** Povratni udarec potisne električno orodje v smer, ki je nasprotna smeri premikanja brusilnega koluta na mestu blokiranja.
- d) **Posebno previdno delajte v kotih, na ostrih robovih in podobnih površinah. Preprečite, da bi vsadna orodja odskočila od obdelovanca in se zagozdila.** Vrteče se vsadno orodje se v kotih, na ostrih robovih ali če odskoči, zlahka zagozdi. To povzroči izgubo nadzora ali povratni udarec.
- e) **Ne uporabljajte verižnih ali nazobčanih žaginskih listov.** Ta vsadna orodja pogosto povzročijo povratni udarec ali izgubo nadzora nad električnim orodjem.

## POSEBNA OPOZORILA ZA BRUŠENJE IN REZAIJE

Posebna varnostna opozorila za brušenje ali abrazivno rezanje:

- a) **Uporabljajte samo brusila, ki so atestirana za Vaše električno orodje in zaščitni pokrov, predviden za ta brusila.** Brusil, ki niso predvidena za Vaše električno orodje, ne boste mogli dobro zavarovati in so zato nevarna.
- b) **Abrazivni del koluta mora biti nameščen na sredino podložnega koluta, proč od varovala.** Nepravilno nameščen abrazivni kolut, ki sega izven podložnega, in ga varovalo ne varuje, predstavlja nevarnost.
- c) **Varovalo mora biti trdno pritrjeno na električno orodje in nastavljeno tako, da zagotavlja maksimalno varnost za uporabnika električnega orodja.** Varovalo pomaga zaščititi uporabnika pred letječimi delci in nehotenim

stikom s kolutom ter iskrami, ki lahko zanetijo tudi požar.

- d) **Brusila lahko uporabljate samo za vrste uporabe, ki jih priporoča proizvajalec. Na primer: Nikoli ne brusite s stransko ploskvijo rezalne plošče.** Rezalne plošče so namenjene odstranjevanju materiala z robom plošče. Brusilo se lahko zaradi bočnega delovanja sile zlomi.
- e) **Za izbrani brusilni kolut vedno uporabljajte nepoškodovane vpenjalne prirobnice pravne velikosti in oblike.** Ustrezne prirobnice podpirajo brusilni kolut in tako zmanjšujejo nevarnost, da bi se kolut zlomil. Prirobnice za rezalne plošče se lahko razlikujejo od prirobnic za druge brusilne kolute.
- f) **Ne uporabljajte obrabljenih brusilnih kolutov večjih električnih orodij.** Brusilni koluti za večja električna orodja niso konstruirana za višje število vrtljajev, s katerimi delujejo manjša električna orodja in se lahko zato zlomijo.

## DODATNA VARNOSTNA NAVODILA ZA POSTOPKE REZANJA

Ostala posebna opozorila za rezanje

- a) **Izogibajte se blokiranju rezalne plošče ali premočnemu pritiskanju na obdelovanec.** Ne delajte pretirano globokih rezov. Preobremenjenost rezalne plošče se poveča, prav tako dovzetnost za zatikanje ali blokiranje in s tem možnost povratnega udarca ali zloma brusila.
- b) **Izogibajte se področja pred in za vrtečo se rezalno ploščo. Če boste rezalno ploščo, ki je v obdelovancu, potisnili stran od sebe, lahko električno orodje v primeru povratnega udarca skupaj z vrtečim se kolutom odleti naravnost v Vas.**
- c) **Če se rezalna plošča zagozdi ali če prekinete z delom, električno orodje izklopite in ga držite pri miru, dokler se kolut popolnoma ne ustavi.** Nikoli ne poskušajte rezalne plošče, ki se še vrti, potegniti iz reza, ker lahko pride do povratnega udarca. Ugotovite in odstranite vzrok zagozditve.
- d) **Dokler se električno orodje nahaja v obdelovancu, ga ne smete ponovno vklopiti. Počakajte, da bo rezalna plošča dosegla polno število vrtljajev in šele potem previdno nadaljujte z rezanjem.** V nasprotnem primeru se lahko plošča zatakne, skoči iz obdelovanca ali povzroči povratni udarec.
- e) **Plošče ali velike obdelovance ustrezno podprite in tako zmanjšajte tveganje povratnega udarca zaradi zataknjene rezalne plošče.** Veliki obdelovanci se lahko zaradi lastne teže upognejo. Obdelovanec mora biti podprt z obeh strani, pa tudi v bližini reza in na robu.
- f) **Še posebno previdni bodite pri „rezanju**

**žepov" v obstoječe stene ali v druga področja, v katera nimate vpogleda.** Pogrezajoča se rezalna plošča lahko pri zarezovanju v plinske ali vodovodne cevi ter električne vodnike in druge predmete povzroči povratni udarec.



Odpadnih električnih naprav ne smete zavreči skupaj z ostalimi gospodinjskimi odpadki. Dostavite jih na mesto za ločeno zbiranje odpadkov. Glede podrobnosti, se posvetujte z lokalno službo za ravnanje z odpadki.

## DODATNA VARNOSTNA PRAVILA ZA KOTNI BRUSILNIK

**⚠ OPOZORILO:** Pred zagonom kotnega brusilnika se prepričajte, da je ročaj v zaklenjenem položaju. Vrtenje ročaja je dovoljeno samo v izklopljenem stanju.

## SIMBOLI

	Zaradi zmanjševanja nevarnosti poškodb, se temeljito seznanite z navodili za uporabo.
	Dvojna izolacija
	Opozorilo
	Uporabljajte zaščito za ušesa
	Uporabljajte zaščito za oči
	Nosite zaščitno masko za prah
	Nosite zaščitne rokavice
	Poskrbite, da bo pred menjavanjem dodatkov orodje odklopljeno z vira napajanja.
	Zaklenjeno
	Odklenjeno

## 2. SESTAVNI DELI

1. POMOŽNI ROČAJ
2. VRTLJIVI GUMB
3. STIKALO ZA VKLOP/IZKLOP
4. GUMB ZA ZAKLEPANJE
5. POKROV KRTAČE
6. ZAŠČITA KOLUTA ZA BRUŠENJE
7. KOLUT \*
8. GUMB ZA ZAKLEPANJE VRETENA
9. VILIČASTI KLJUČ
10. NOTRANJA PRIROBNICA
11. ZUNANJA PRIROBNICA
12. ZAŠČITA KOLUTA ZA REZANJE
13. ZAŠČITNA VPENJALNA ROČICA


\* Pri standardni dobavi niso vključeni vsi prika zani dodatki.

## 3. TEHNIČNI PODATKI

Vrsta **WX709 WX709.X (700-749 - oznaka naprave kotni brusilnik)**

	<b>WX709 WX709.X **</b>
Napetost	230-240 V~50 Hz
Vhodna moč	2350 W
Hitrost brez obremenitve	6500 /min
Velikost diska	230 mm
Izvrtna diska	22.2 mm
Navoj vretena	M14
Premer brusilnih diskov	230 mm



Največja debelina brusilnih diskov	6 mm
Razred zaščite	 /II
Teža naprave	5.7 kg

\*\* X = 1-999, A-Z, M1-M9 so samo za različne kupce, med temi modeli ni nobenih varnostnih sprememb.

Priporočamo vam, da dodatke vedno kupujete iz isti trgovini, kot ste kupili strojček. Za podrobnosti si oglejte razlage na embalaži kompleta dodatkov. Pri odločanju o ustreznem dodatku, vam lahko pomagata tudi osebe v trgovini.

## PODATKI O HRUPU

Vrednotena raven zvočnega tlaka  $L_{DA}$ : 96 dB(A)

Vrednotena raven zvočne moči  $L_{WA}$ : 107 dB(A)

$K_{DA}$  &  $K_{WA}$  3.0dB(A)

Uporabljajte zaščito za ušesa 


## PODATKI O VIBRACIJAH

Skupne vrednosti oscilacij (vektorski seštevek treh smeri), skladno z EN 60745:

Površinsko brušenje	Vrednost emisije vibracij: $a_{h,AG} = 8.4 \text{ m/s}^2$
	Nezanesljivost meritve $K = 1.5 \text{ m/s}^2$

Deklarirana skupna raven vibracij ter deklarirana vrednost emisij hrupa, sta bili izmerjeni skladno s standardno testno metodo in služita primerjavi orodij med seboj.

Deklarirano skupno raven vibracij ter deklarirano vrednost emisij hrupa, lahko uporabljate tudi kot osnovo za ocenjevanje izpostavljenosti.

 **OPOZORILO:** Dejanski vrednosti emisij vibracij ter hrupa med uporabo orodja, se lahko razlikujeta od navedenih, kajti nanju vpliva tudi način uporabe orodja ter vrsta obdelovanca, predvsem pa naslednje okoliščine: Način uporabe orodja in materiali, ki jih lahko obdelujete.

Ali je orodje v dobrem stanju in ustrezno vzdrževano. Ali uporabljate ustrezni dodatek in njegova brezhibnost.

Čvrstost oprijema ročajev in morebitna uporaba dodatkov za zmanjševanje vibracij.

Uporaba orodja za predviden namen, skladen s temi

navodili.

**Če orodja ne uporabljate pravilno, lahko povzroči vibracijski sindrom zapestja in rok.**



**OPOZORILO:** Če želimo resnično natančno oceniti raven izpostavljenosti v dejanskih okoliščinah, moramo upoštevati tudi vse faze delovnega procesa, tudi število vklopov in izklopov strojčka ter čas, ko deluje v prostem teku in neobremenjeno. To lahko znatno zmanjša raven izpostavljenosti tekom celotnega delovnega procesa.

Pomoč pri zmanjševanju tveganja pri izpostavljenosti vibracijam in hrupu.

VEDNO uporabljajte le ostre pripomočke.

Orodje vzdržujte skladno s temi navodili in poskrbite, da bo dobro namazano (kjer je potrebno).

Če boste orodje uporabljali redno, potem investirajte v dodatke za zmanjševanje vibracij in hrupa.

Delo si organizirajte tako, da boste opravila z visoko ravnjo vibracij izvajali v več fazah, tekom nekaj dni.

## 4. NAMEN UPORABE:

Strojček je namenjen rezanju, brušenju in obdelovanju materialov brez dovajanja vode. Za rezanje kovin, morate obvezno namestiti varovalo.

## 5. NAVODILA ZA UPORABO



**OPOMBA:** Preden začnete uporabljati strojček, si pozorno preberite navodila.

### SESTAVLJANJE IN NAČIN UPORABE

Opravo	Slika
<b>SESTAVLJANJE</b>	
Namestitev dodatnega ročaja	Glejte sliko A
Namestitev brusilnega/rezalnega koluta	Glejte sliko B1, B2, B3

## NAMESTITEV VAROVALA

**OPOMBA: Pri brušenju ali rezanju mora biti obvezno nameščeno varovalo. Uporabite ustrezen kolot, ki je primeren za vrsto dela, ki ga opravljate. Če z električnim orodjem želite rezati katerikoli material, morate na orodje namestiti ustrezno varovalo.**

Nastavek na varovalu zagotavlja, da na napravo lahko namestite le predpisana varovala, ki ustrezajo tej napravi. Odprite pritrdilno ročico. Vstavite varovalo, z nastavkom v utor glave vretena ter ga obrnite v želeni položaj (delovni položaj).

Za pritrditev varovala, zaprte ročico.

**Zaprta stran varovala mora biti vedno obrnjena proti uporabniku.**

**OPOMBA:** Ko je vpenjalna ročica odprta je vijak za nastavitev objemke mogoče nastaviti tako, da je zaščita varno pritrjena, ko je vpenjalna ročica končno zaprta.

Glejte sliko C

## DELOVANJE

Uporaba stikala za vklop/izklop

Glejte sliko D

Predeli za prijemanje

Glejte sliko E

Grobo brušenje

 **OPOMBA!** Nikoli ne uporabljajte rezalnega kolota za grobo brušenje.

Rezanje

Glejte sliko F

Za uporabo vrtljivega ročaja

Glejte sliko G

Za zamenjavo ščetk

Glejte sliko H

- poravnani z režo, zvijanjem rezalnika lahko povzročijo zlom diska. Če režete skozi tanko pločevino, rezalniku dovolite, da le za malenkost prodre skozi material. Prekomerno prodiranje lahko povzroči poškodbe.
- Pri rezanju kamna ali opeke je priporočljivo uporabiti odstranjevalnik prahu.

## 6. VZDRŽEVANJE

**Pred vsakim prilagajanjem, servisiranjem ali vzdrževanjem izvlcite vtičak iz vtičnice.**

Strojček tudi nima nobenih delov, ki bi jih morali servisirati. Za čiščenje strojčka nikoli ne uporabljajte vode ali kemičnih sredstev. Obrišite ga le s suho krpo. Strojček vedno shranjujte na suhem mestu. Poskrbite, da bodo prezačevalne odprtine čiste. Vsi elementi krmiljenja morajo biti čisti, brez prahu. Med uporabo strojčka boste skozi prezačevalne reže lahko opazili iskre. To je običajno in ne bo poškodovalo strojčka. Če je napajalni kabel poškodovan, ga lahko zamenja le proizvajalec, njegov serviser ali podobno usposobljene osebe, sicer obstaja nevarnost poškodb.

## 7. ODPRAVLJANJE NAPAK


Čeprav je vaš kotni brusilnik zelo preprost za uporabo, si za pomoč pri delu lahko ogledate naslednje:

- Če vaš brusilnik ne deluje, preverite napajanje.
- Če je brusilnik med delom povzročal prekomerne vibracije, preverite, ali je zunanja prirobnica dobro pritrjena in pravilno nameščena na prirobnico.
- Če opazite, da je kolot poškodovan, ga zamenjajte z novim, sicer lahko pride do poškodb. Rabljene kolote odlagajte skladno s predpisi za tovrstne odpadke.
- Če obdelujete aluminijaste ali podobne mehke zlitine, se bo brusilno kolo izdatneje mašilo.

## 8. VAROVANJE OKOLJA



Odpadnih električnih naprav ne smete zavreči skupaj z ostalimi gospodinjskimi odpadki.

 Dostavite jih na mesto za ločeno zbiranje odpadkov. Glede podrobnosti, se posvetujte z lokalno službo za ravnanje z odpadki.

## DELOVNI NASVETI ZA VAŠ BRUSILNIK

- Vaš kotni brusilnik je uporaben tako za rezanje kovin, torej za odstranjevanje glav vijakov, kot tudi za čiščenje/pripravo površin, torej pred in po varjenju.
- Različne vrste kolotov/rezalnikov vam omogočajo, da brusilnik ustreza različnim potrebam. Koloti/rezalniki so običajno na voljo za blago jeklo, nerjavno jeklo, kamen in opeko. Z diamanti impregnirani diski so na voljo za zelo trde materiale.
- Če brusilnik uporabljate na mehkih kovinah, kot je aluminij, se bo kolot kmalu zamašil in ga bo treba zamenjati.
- Ves čas pustite, da brusilnik opravlja delo, ne potiskajte ga ali izvajajte pritiska na kolot/disk.
- Če nameravate izrezati režo, mora rezalnik biti

## 9. IZJAVA O SKLADNOSTI

Mi,  
Positec Germany GmbH  
Postfach 32 02 16, 50796 Cologne, Germany

Izjavljamo, da je izdelek,  
Opis izdelka **Worx Kotni brusilnik**  
Vrsta izdelka **WX709 WX709.X (700-749 -oznaka  
naprave, predstavnikkotnih brusilnikov)**  
Funkcija **Neposredno in obrobn brušenje**

Skladen z naslednjimi direktivami,  
**2006/42/EC, 2011/65/EU&(EU)2015/863  
2014/30/EU**

in izpolnjuje naslednje standarde:  
**EN 55014-1, EN 55014-2  
EN IEC 61000-3-2, EN 61000-3-3  
EN 60745-1, EN 60745-2-3**

Oseba, ki je pooblaščenca za skladnost tehnične  
dokumentacije,

**Ime Marcel Filz**  
**Naslov Positec Germany GmbH**  
**Postfach 32 02 16, 50796 Cologne, Germany**



131

2021/10/15  
Allen Ding  
Namestnik glavnega inženirja, Testiranje in certifi-  
kacija  
Positec Technology (China) Co., Ltd  
18, Dongwang Road, Suzhou Industrial  
Park, Jiangsu 215123, P. R. China



**[www.worx.com](http://www.worx.com)**

Copyright © 2021, Positec. All Rights Reserved.  
V0-17L-WX709 WX709.X-M-20211015  
AR01644900