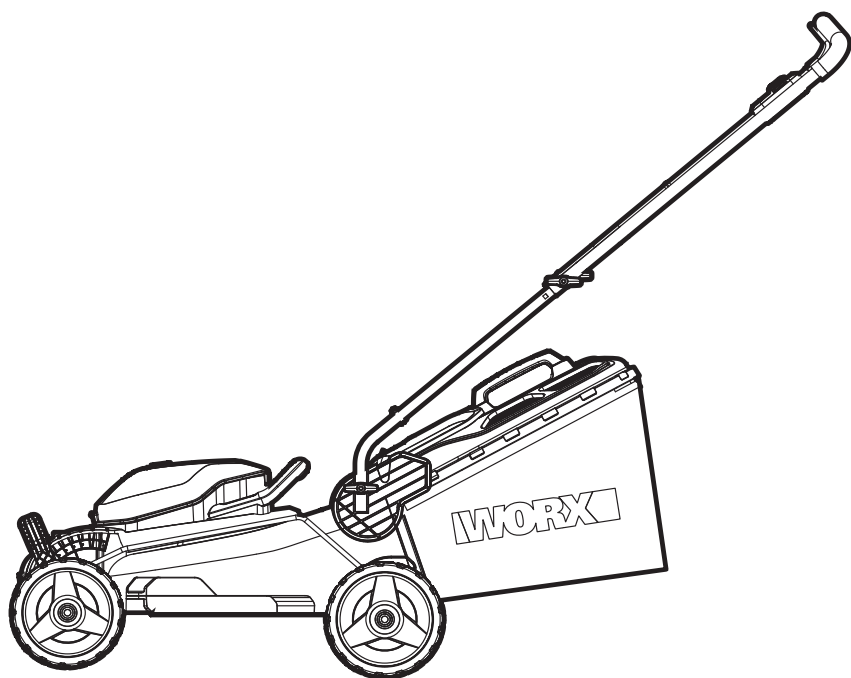


# WORX®



**Cordless Lawn Mower**

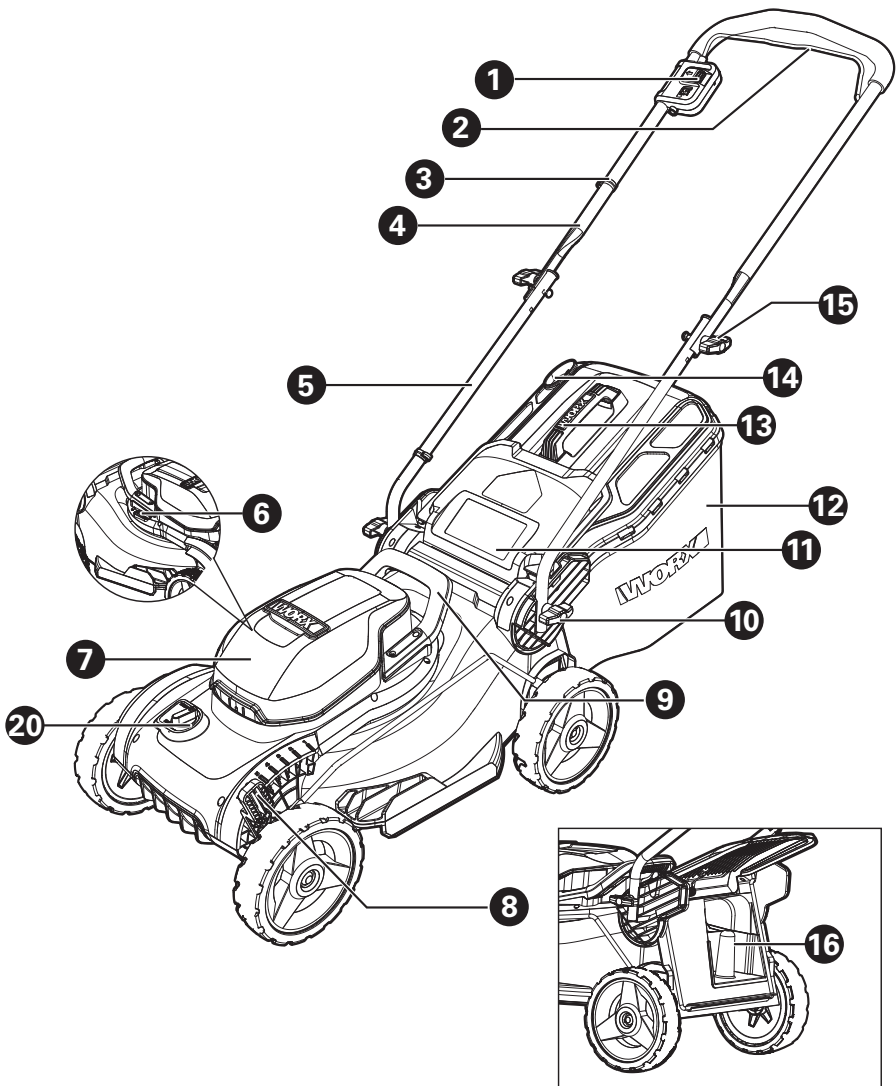
**EN**

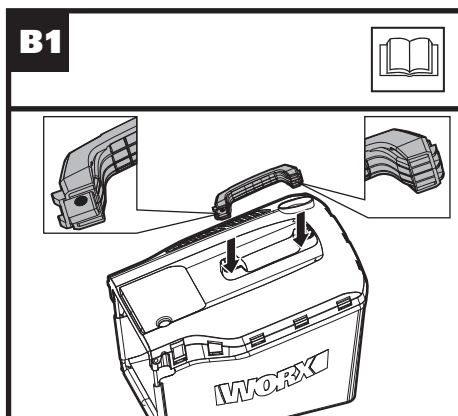
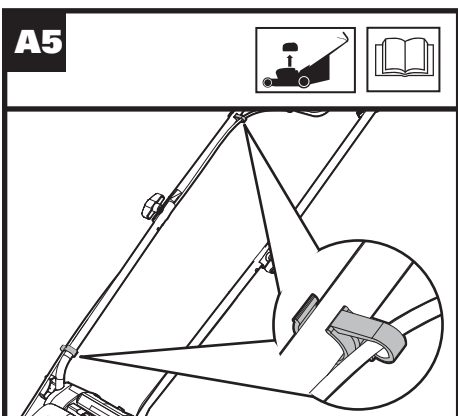
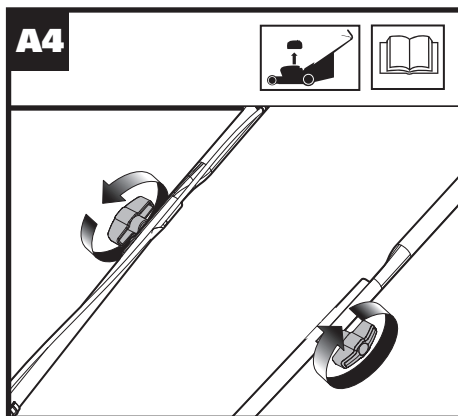
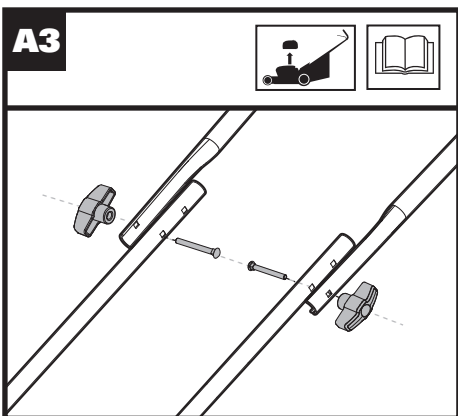
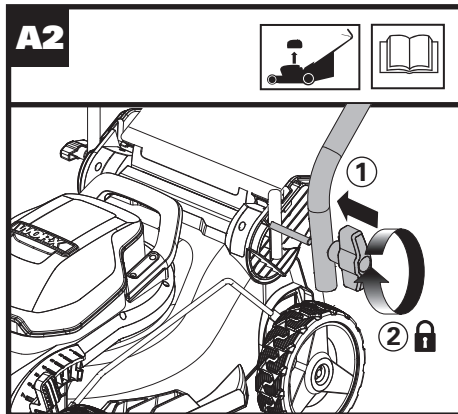
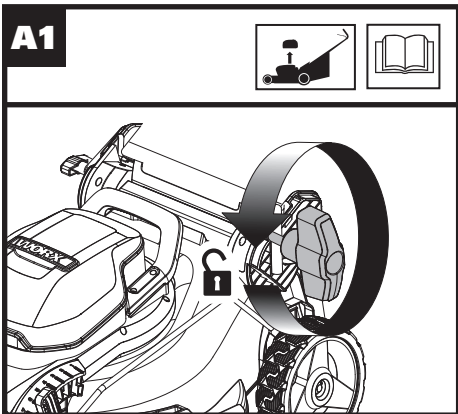
ماكينة جز العشب اللاسلكية

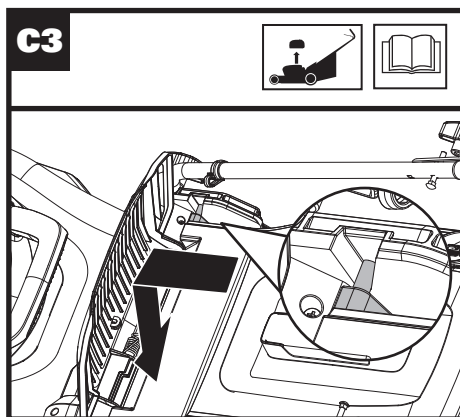
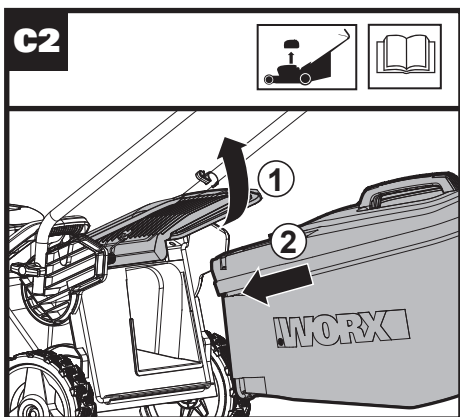
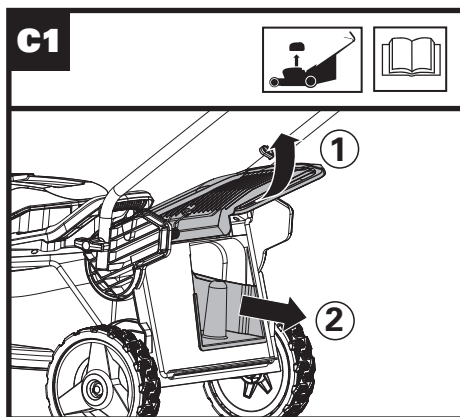
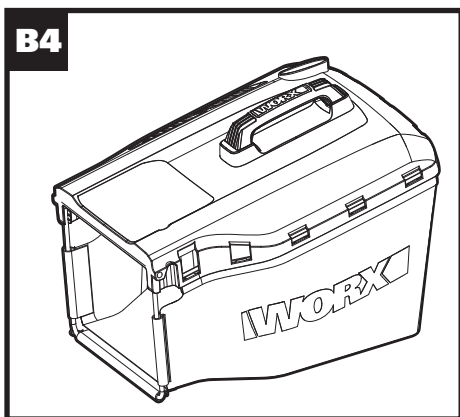
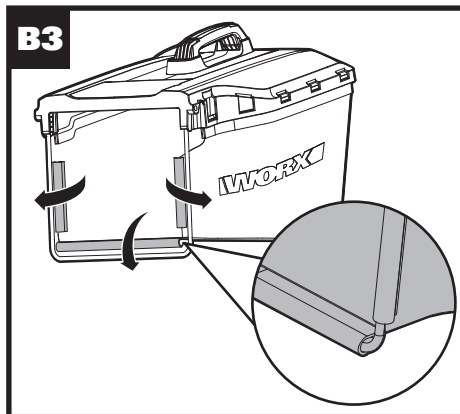
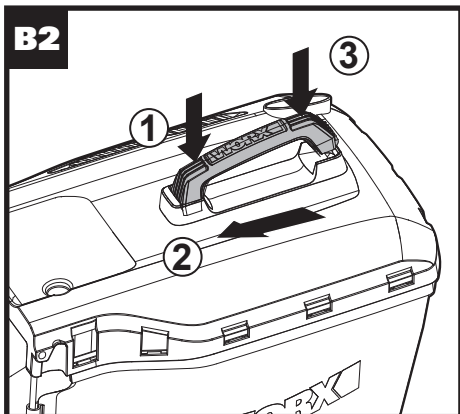
**AR**

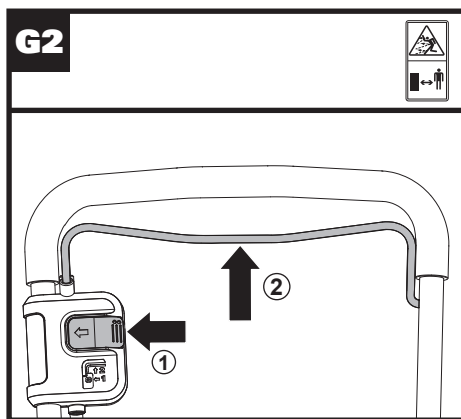
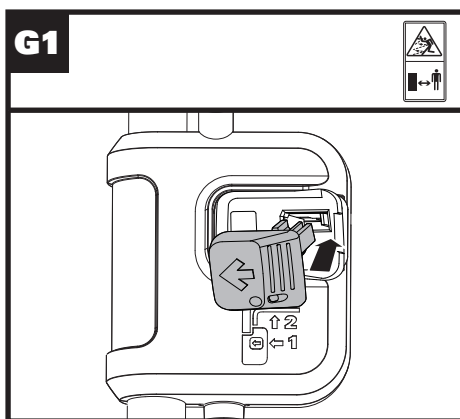
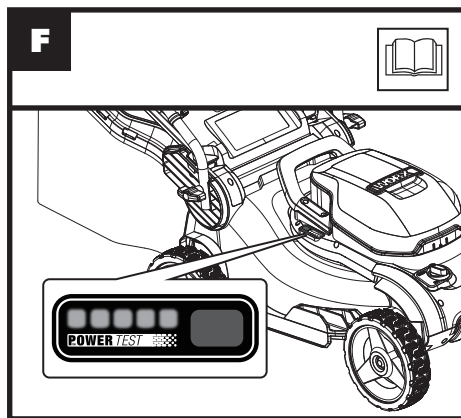
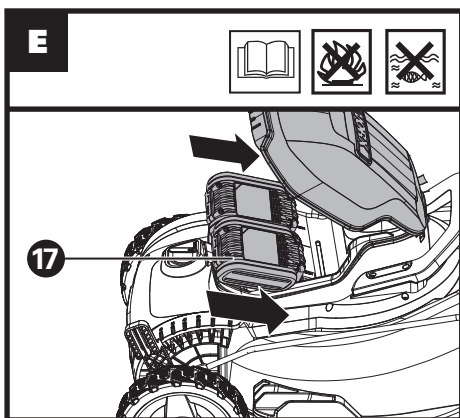
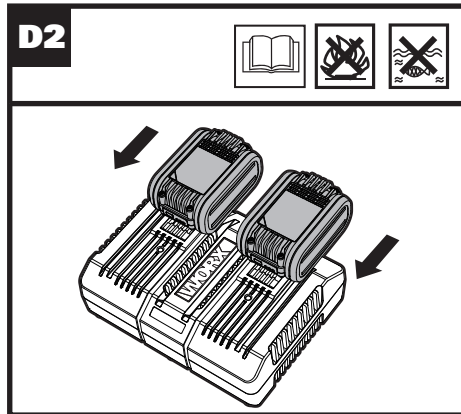
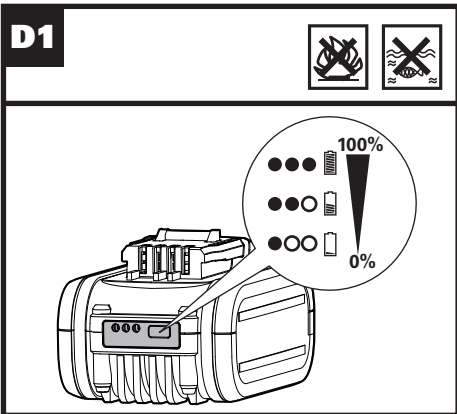
**WG743E WG743E.9**

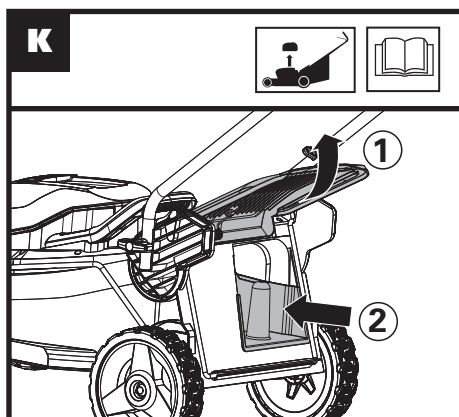
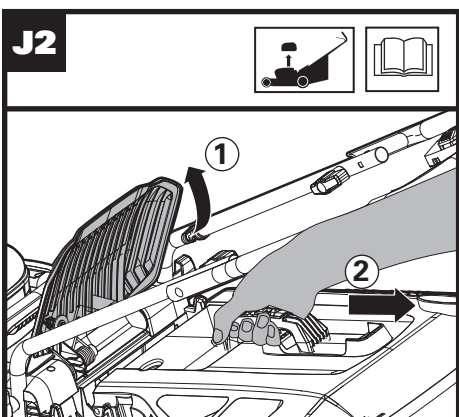
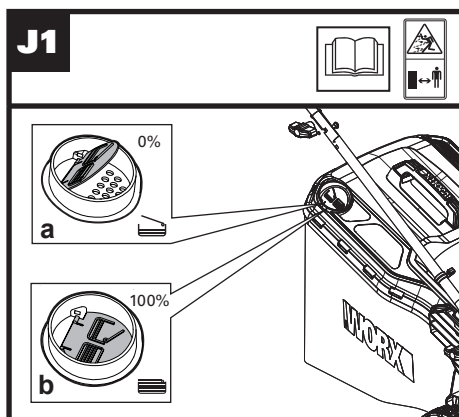
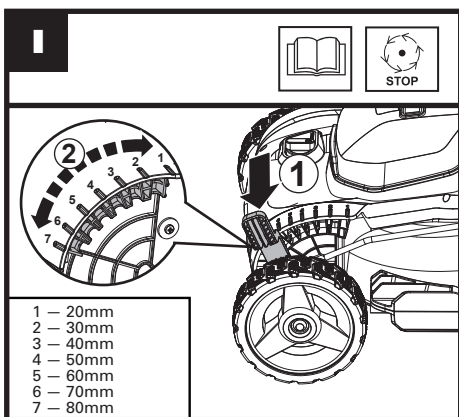
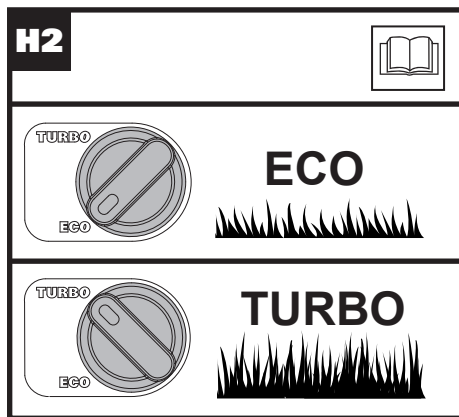
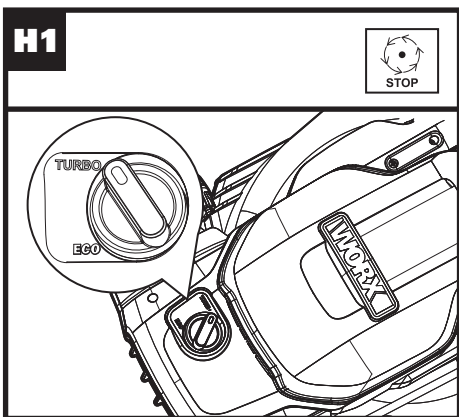


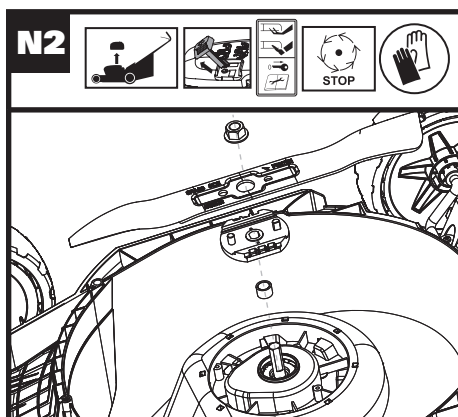
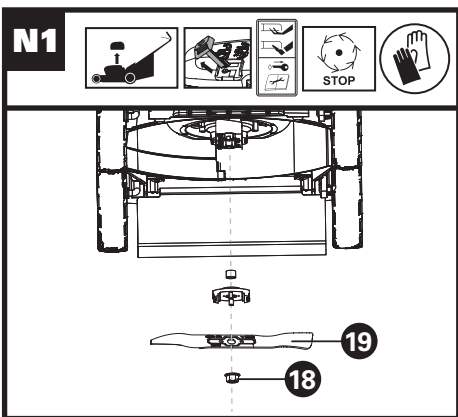
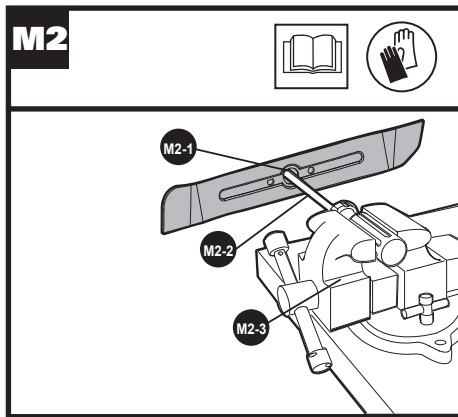
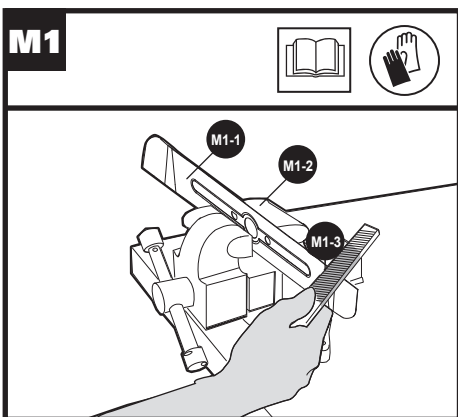
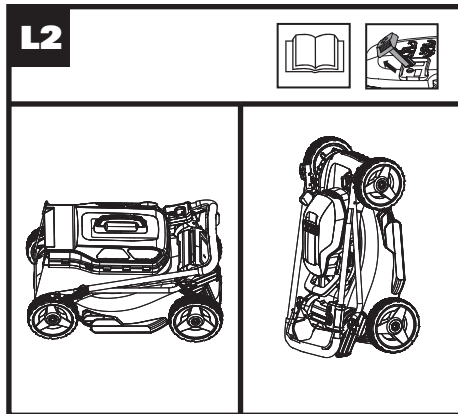
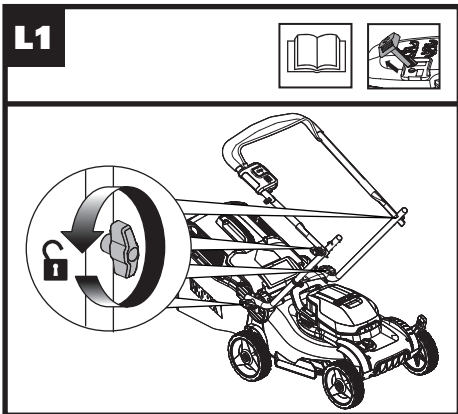














## GENERAL SAFETY WARNINGS



**WARNING** Read all safety warnings and all instructions. Failure to follow the warnings and

instructions may result in electric shock, fire and/or serious injury.

**Carefully read the instructions for the safe operation of the machine.**

**Save all warnings and instructions for future reference.**

- This appliance is not intended for use by persons (including children) with reduced physical, sensory or mental capabilities, or lack of experience and knowledge, unless they have been given supervision or instruction concerning use of the appliance by a person responsible for their safety.
- Children should be supervised to ensure that they do not play with the appliance.
- The appliance is only to be used with the power supply unit provided with the appliance.

### Training

- a) read the instructions carefully. Be familiar with the controls and the proper use of the equipment;
- b) Never allow children or people unfamiliar with these instructions to use the lawn mower. Local regulations can restrict the age of the operator;
- c) never mow while people, especially children, or pets are nearby;
- d) keep in mind that the operator or user is responsible for accidents or hazards occurring to other people or their property

### Preparation

- a) While mowing, always wear substantial footwear and long trousers. Do not operate the equipment when barefoot or wearing open sandals;
- b) thoroughly inspect the area where the equipment is to be used and remove all objects which can be thrown by the machine;
- c) Before using, always visually inspect to see that the blades, blade bolts and cutter assembly are not worn or damaged. Replace worn or damaged blades and bolts in sets to preserve balance;
- d) On multi-bladed machines, take care as rotating one blade can cause other blades to rotate.

### Operation

- a) mow only in daylight or in good artificial light;
- b) avoid operating the equipment in wet grass, where feasible;
- c) always be sure of your footing on slopes;
- d) walk, never run;
- e) for wheeled rotary machines, mow across the face of slopes, never up and down;
- f) exercise extreme caution when changing direction on slopes;
- g) do not mow excessively steep slopes;
- h) use extreme caution when reversing or pulling the lawn mower towards you;
- i) stop the blade(s) if the lawn mower has to be tilted for transportation when crossing surfaces other than grass, and when transporting the lawn mower

- to and from the area to be mowed;
- j) never operate the lawn mower with defective guards, or without safety devices, for example deflectors and/or grass catchers, in place;
- k) switch on the motor carefully according to instructions and with feet well away from the blade(s);
- l) do not tilt the lawn mower when switching on the motor, except if the lawnmower has to be tilted for starting in this case, do not tilt it more than absolutely necessary and lift only the part which is away from the operator;
- m) do not put hands or feet near or under rotating parts. Keep clear of the discharge opening at all times;
- n) never pick up or carry a lawn mower while the motor is running;
- o) not to touch the blades before the disabling device has been removed and the blades have come to a complete stop;
- p) to remove the disabling device
  - whenever you leave the machine;
  - before clearing a blockage;
  - before checking, cleaning or working on the machine;
  - after striking a foreign object, inspect the lawn mower for damage and make repairs as necessary;
  - if the lawnmower start to vibrate abnormally (check immediately);

### Maintenance and storage

- a) keep all nuts, bolts and screws tight to be sure the equipment is in safe working condition;
- b) check the grass catcher frequently for wear or deterioration;
- c) replace worn or damaged parts for safety;
- d) ensure that only replacement cutting means of the right type are used;

## SAFETY WARNINGS FOR BATTERY PACK

- a) Do not dismantle, open or shred cells or battery pack.**
- b) Do not short-circuit a battery pack. Do not store battery packs haphazardly in a box or drawer where they may short-circuit each other or be short-circuited by conductive materials.** When battery pack is not in use, keep it away from other metal objects, like paper clips, coins, keys, nails, screws or other small metal objects, that can make a connection from one terminal to another. Shorting the battery terminals together may cause burns or a fire.
- c) Do not expose battery pack to heat or fire. Avoid storage in direct sunlight.**
- d) Do not subject battery pack to mechanical shock.**
- e) In the event of battery leaking, do not allow the liquid to come into contact with the skin or eyes. If contact has been made, wash the affected area with copious amounts of water**

and seek medical advice.

- f) **Seek medical advice immediately if a cell or battery pack has been swallowed.**
- g) **Keep battery pack clean and dry.**
- h) **Wipe the battery pack terminals with a clean dry cloth if they become dirty.**
- i) **Battery pack needs to be charged before use. Always refer to this instruction and use the correct charging procedure.**
- j) **Do not maintain battery pack on charge when not in use.**
- k) **After extended periods of storage, it may be necessary to charge and discharge the battery pack several times to obtain maximum performance.**
- l) **Battery pack gives its best performance when it is operated at normal room temperature (20 °C ± 5°C).**
- m) **When disposing of battery packs, keep battery packs of different electrochemical systems separate from each other.**
- n) **Recharge only with the charger specified by Worx. Do not use any charger other than that specifically provided for use with the equipment. A charger that is suitable for one type of battery pack may create a risk of fire when used with another battery pack.**
- o) **Do not use any battery pack which is not designed for use with the equipment.**
- p) **Keep battery pack out of the reach of children.**
- q) **Retain the original product literature for future reference.**
- r) **Remove the battery from the equipment when not in use.**
- s) **Dispose of properly.**
- t) **Do not mix cells of different manufacture, capacity, size or type within a device.**
- u) **Do not remove battery pack from its original packaging until required for use.**
- v) **Observe the plus (+) and minus (-) marks on the battery and ensure correct use.**

## SYMBOLS

	Read instruction handbook before operation this machine
	Keep bystanders away.

	Beware of sharp blades. Blades continue to rotate after the motor is switched off- Remove disabling device before maintenance
	Batteries may enter water cycle if disposed improperly, which can be hazardous for ecosystem. Do not dispose of waste batteries as unsorted municipal waste.
	Do not burn
	Li-Ion battery This product has been marked with a symbol relating to 'separate collection' for all battery packs and battery pack. It will then be recycled or dismantled in order to reduce the impact on the environment. Battery packs can be hazardous for the environment and for human health since they contain hazardous substances.
	Wear protective gloves
	Remove battery from the socket before carrying out any adjustment, servicing or maintenance.
	Blade continues to rotate after the machine is switched off. Wait until all machine components have completely stopped before touching them
	Remove the key


## COMPONENT LIST



1. SAFETY KEY
2. BAIL HANDLE
3. CABLE CLIP
4. UPPER HANDLE

<b>5. LOWER HANDLE</b>
<b>6. BATTERY POWER INDICATOR</b>
<b>7. BATTERY PACK COVER</b>
<b>8. CUTTING HEIGHT ADJUSTMENT KNOB</b>
<b>9. CARRY HANDLE</b>
<b>10. HANDLE KNOB, LOWER</b>
<b>11. SAFETY FLAP</b>
<b>12. GRASS COLLECTION BAG</b>
<b>13. BAG HANDLE</b>
<b>14. GRASS BAG INDICATOR</b>
<b>15. HANDLE KNOB, UPPER</b>
<b>16. MULCHING INSERT</b>
<b>17. BATTERY PACK (SEE FIG. E) *</b>
<b>18. BLADE BOLT (SEE FIG. N1)</b>
<b>19. BLADE (SEE FIG. N1)</b>
<b>20. INTELLICUT DIAL</b>

\* Not all the accessories illustrated or described are included in standard delivery.

## TECHNICAL DATA

	<b>WG743E</b>	<b>WG743E.9</b>
Voltage	40 V  Max (2x20 V Max) **	
No load speed	2800 / 3000 /min	
Deck diameter	43 cm	
Cutting diameter	40 cm	
Front wheel diameter	180 mm	
Rear wheel diameter	190 mm	
Cutting height	20 mm-80 mm	
Cutting height positions	7	
Grass collection capacity	45 L	
Battery type	Lithium-ion	/
Battery Model	WA3553 (4.0 Ah)	/
Charger Model	WA3883	/

Charger rating	Input: 100-240 V~50-60 Hz Output 1: 20 V  , 2.0 A *** Output 2: 20 V  , 2.0 A ***	/
Charging time (approx.) Battery pack: 2.0 Ah (1 pc) 2.0 Ah (2 pcs) 4.0 Ah (1 pc) 4.0 Ah (2 pcs)	0.5 hr 1 hr 1 hr 2 hrs	/
Machine Weight	15.2 kg	13.9 kg

\*\* Voltage measured without workload. Initial battery voltage reaches maximum of 20 volts. Nominal voltage is 18 volts.

\*\*\* Charger output 1 and output 2 mean two ports with the same output voltage and current.

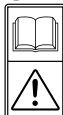
## ACCESSORIES

	<b>WG743E</b>	<b>WG743E.9</b>
Battery pack (WA3553)	2	/
Charger (WA3883)	1	/
Grass collection bag	1	
Mulching insert	1	
Cable clip	2	
Handle knob	4	

11

We recommend that you purchase your accessories listed in the above list from the same store that sold you the power tool. Refer to the accessory packaging for further details. Store personnel can assist you and offer advice.

## OPERATION INSTRUCTION







**NOTE:** Read instruction handbook before operation this machine.

### INTENDED USE

This product is intended for domestic lawn mowing.

# ASSEMBLY AND OPERATION


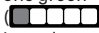
ACTION	FIGURE
<b>ASSEMBLY</b>	
Assembling the handle bar <b>NOTE:</b> Choose one of the two holes in the lower handle for desired handle's height.	See Fig. A1, A2, A3, A4, A5
Assembling the grass collection bag	See Fig. B1, B2, B3, B4
Fitting the grass collection bag to the lawn mower <b>NOTE:</b> Take the mulching insert out of the lawn mower before fitting the grass collection bag. <b>NOTE:</b> Depress the grass collection bag slightly to ensure that it is completely installed.	See Fig. C1, C2, C3
Checking the battery charge condition <b>NOTE:</b> Fig. D1 only applies for the battery pack with battery indicator light.	See Fig. D1
Charging the battery pack <b>NOTE:</b> The batteries are shipped uncharged. Each battery must be fully charged before the first mow. Always fully charge the two batteries at same time. More details can be found in charger's manual.	See Fig. D2
Fitting/Removing Battery <b>NOTE:</b> <ul style="list-style-type: none"> <li>• <b>This machine will only run when 2 batteries are installed. Please always use two batteries with the same capacity and fully charge the two batteries.</b></li> <li>• <b>When you use two batteries with different power, the machine will only run to the lower common denominator.</b></li> </ul>	See Fig. E
<b>OPERATION</b>	

Battery power indicator on the machine See details in BATTERY STATUS part <b>IMPORTANT</b> <b>When only one light is illuminated, at least one battery is almost depleted and needs to be charged, even though the mower may still be capable of cutting grass. Continuing to operate your lawnmower with the battery in this discharged condition may reduce the life and performance of your battery.</b> <b>When no light is illuminated, at least one battery is not fully installed or battery may be defective, please double check the batteries are fully seated into position.</b>	See Fig. F
Starting & Stopping	See Fig. G1, G2
Selecting the INTELLICUT DIAL ECO MODE Set the Intellicut Dial to ECO mode when mowing in everyday conditions, removing approximately 1 inch of grass at a time. TURBO MODE Set the Intellicut Dial to POWER mode when cutting dense or overgrown grass.	See Fig. H1, H2
Adjusting the Cutting Height	See Fig. I
Grass Bag Filling Indicator Empty status: flap floats (a)  Fully status: flap falls down (b) 	See Fig. J1
Removing/Emptying Grass Collection Bag  <b>WARNING!</b> Always check the safety flap close the discharge outlet before using. Never lift the safety flap when the lawn mower is being used without fitted grass collection bag.	See Fig. J2
Installing the mulching insert	See Fig. K
Storage  <b>WARNING:</b> Always remove the battery and safety key when inverted storage.	See Fig. L1, L2

## BATTERY STATUS (See Fig. F)

Before starting or after use, press the button beside the power indicator light on the machine to check the battery capacity. During operation, the battery capacity will be indicated automatically by the battery power indicator. The indicator constantly senses and displays the battery condition as follows.

For the machine with 2 battery packs with different power, the power indicator light displays the battery condition with the lower one of the two batteries.

Battery power indicator status	Battery condition
Five green lights  are illuminated.	The two batteries are in a highly charged condition.
Two, three or four green lights are illuminated.	The two batteries have a remaining charge. The more lights are illuminated, the more battery capacity.
Only one green light  is illuminated.	At least one battery is almost depleted and needs to be charged.
No light is illuminated.	At least one battery is not fully installed or battery may be defective.
Only one light is flashing twice per cycle.	At least one battery is over discharged (please refer to the battery charge condition), please recharge the two batteries at once before use again or storage.
Only one light is flashing three times per cycle.	At least one battery is hot, wait for them cool down before start again.
Only one light is flashing four times per cycle.	The machine is over load. Raise the cutting height or push slowly.

## MOWING TIPS

**NOTE: ALWAYS INSPECT AREA WHERE MOWER IS TO BE USED AND REMOVE ALL STONES, STICKS, WIRE, METAL AND OTHER DEBRIS WHICH MIGHT BE THROWN BY THE ROTATING BLADE.**

- Mow across the face of slopes, never up-and-down. Exercise extreme caution when changing direction on slopes. Do not mow excessively steep slopes. Always maintain good footing.
- Release bail handle to turn mower "OFF" when crossing any graveled area (stones can be thrown by the blade).
- Set mower at highest cutting height when mowing in rough ground or in tall weeds. Removing too much grass at one time can cause circuit breaker to trip,

which stops mower.

- If a grass bag is used during the fast growing season, the grass may tend to clog up at the discharge opening. Release bail handle to turn mower "OFF" and remove the safety key. Remove the grass bag and shake the grass down to the back end of the bag. Also clean out any grass or debris which may be packed around the discharge opening. Replace the grass collection bag.
  - If mower should start to vibrate abnormally, release bail handle to turn mower "OFF" and remove safety key. Check immediately for cause. Vibration is a warning of trouble. Do not operate mower until a service check has been made.
- 6. ALWAYS RELEASE BAIL HANDLE TO TURN MOWER "OFF" AND REMOVE SAFETY KEY WHEN LEAVING IT UNATTENDED EVEN FOR A SHORT PERIOD OF TIME.**

## CUTTING AREA

The cutting area can be affected by several factors, such as cutting height, lawn humidity, grass length and density. Besides, starting and stopping the mower too many times during operation will reduce the cutting area. The below table provides the potential cutting areas based on specific cutting conditions.

Cutting Height	Recommend lot size (maximum)
Cutting off 8cm to 6cm	With 2*20V / 4.0Ah batteries
	up to 500m <sup>2</sup> *

\* Used with two fully charged battery packs.

## TIPS:

- It is recommended to mow your lawn more frequently, walk at normal pace, and not to start/stop the mower too often during operation. Please always use the same two batteries and charge the two batteries at same time.
- For best performance, please ensure use a fully charged battery pack and always cut off 1/3 or less of the grass height.
- Walk slowly when cutting long grass, so as to have more effective cutting and properly discharge the clippings.
- Avoid cutting wet grass, otherwise it will stick to the underside of the deck and the clippings cannot be collected or discharged properly.
- A higher cutting height shall be applied to new or thick grass and it will extend the battery duration.

## MAINTENANCE



**WARNING: Stop the mower and remove the safety key before removing the grass bag.**

**NOTE:** To ensure long and reliable service, perform the following maintenance procedures regularly. Check for obvious defects such as a loose, dislodged or a damaged

blade, loose fittings, and worn or damaged components. Check that the covers and guards are all undamaged and are correctly attached to mower. Carry out any necessary maintenance or repairs before operating mower. If the mower should happen to fail despite regular maintenance, please call our customer helpline for advice.

### **BLADE SHARPENING**

KEEP BLADE SHARP FOR BEST MOWER PERFORMANCE. WEAR PROPER EYE PROTECTION WHILE REMOVING, SHARPENING, AND INSTALLING BLADE. ENSURE THAT SAFETY KEY IS REMOVED.

Sharpening the blade twice during a mowing season is usually sufficient under normal circumstances. Sand causes the blade to dull quickly. If your lawn has sandy soil, more frequent sharpening may be required. REPLACE BENT OR DAMAGED BLADE IMMEDIATELY.

#### **WHEN SHARPENING THE BLADE:**

1. Make sure blade remains balanced.
2. Sharpen blade at the original cutting angle.
3. Sharpen cutting edges on both ends of blade, removing equal amounts of material from both ends.

#### **NOTE:**

1. Be sure the mower is turned off and remove the key.
2. Place the mower in stand up storage mode.

#### **TO SHARPEN BLADE IN A VISE (SEE Fig. M1)**

1. Be sure the bail handle is released, the blade has stopped and the safety key removed before removing the blade.
2. Remove blade from mower. See instructions for removing and attaching blade.
3. Secure blade M1-1 in a vise M1-2.
4. Wear safety glasses and be careful not to cut yourself.
5. Carefully file the cutting edges of the blade with a fine tooth file M1-3 or sharpening stone.
6. Check balance of blade. See instructions for blade balancing.
7. Replace blade on mower and tighten securely. Refer to instructions below.

#### **BLADE BALANCING (SEE Fig. M2)**

Check balance of blade by placing center hole in blade M2-1 over a nail or screwdriver shank M2-2, clamped horizontally in a vise M2-3. If either end of the blade rotates downward, file that end. Blade is properly balanced when neither end drops.

#### **BLADE MAINTENANCE (SEE FIG. N1, N2)**

Renew your metal blade after 50 hours mowing or 2 years, whichever is the sooner-regardless of condition.

Follow these procedures to remove and replace the blade. You will need garden gloves (not provided) and a spanner wrench (not provided) to remove the blade. Hold the blade (19) and unscrew the blade bolt (18) counter-clockwise using a spanner wrench, and then remove blade.

To re-assemble, position the blade (19) with the cutting edges towards the ground. Then securely tighten the blade bolt (18).

#### **STORAGE (SEE Fig. L1, L2)**

Stop the mower and always remove the safety key. Clean the exterior of the machine thoroughly using a soft brush and cloth. Do not use water, solvents or polishes. Remove all grass and debris, especially from the ventilation slots. Turn the machine on its side and clean the blade area. If grass cuttings are compacted in the blade area, remove with a wooden or plastic implement.

Store the machine in a dry place. Do not place other objects on top of the machine.

To aid storage, release the Lock Cam Lever, and fold the upper handle as shown in Fig. L1, L2.

## **ENVIRONMENTAL PROTECTION**



#### **Disposal**

The machine, its accessories and packaging materials should be sorted for environmentally friendly recycling. The plastic components are labeled for categorized recycling.

## TROUBLE SHOOTING

<b>Problem</b>	<b>Solution</b>
1. Mower doesn't run when bail handle is activated.	<p>A. Check to make sure safety key has been installed and is fully seated and that button on switch housing is being completely pushed.</p> <p>B. Release bail handle to turn mower off. Remove safety key, turn mower over and check that blade is free to turn. If not free, return to an authorized servicer. Blade should turn freely.</p> <p>C. Has battery been fully charged? Plug in charger and wait for green light to come on.</p>
2. Motor stops while mowing.	<p>A. Release bail handle to turn mower off. Remove safety key, turn mower over and check that blade is free to turn. If not free, return to an authorized servicer. Blade should turn freely.</p> <p>B. Raise cutting height of wheels to highest position and start mower.</p> <p>C. Has battery been fully charged? Plug in charger and wait for green light to come on.</p> <p>D. Avoid overloading the mower. Slow down the cutting pace by pushing mower slower or raise the cut height. Or both.</p>
3. Mower runs but cutting performance is unsatisfactory, or does not cut entire lawn.	<p>A. Has battery been fully charged? Plug in charger and wait for green light to come on.</p> <p>B. Release bail handle to turn mower off. Remove safety key. Turn mower over and check: Blade for sharpness - Keep blade sharp. Deck and discharge chute for clogging.</p> <p>C. Wheel height adjustment may be set too low for grass condition. Raise cutting height.</p>
4. Mower is too hard to push.	<p>A. Raise cutting height to reduce deck drag on grass. Check each wheel for free rotation.</p>
5. Mower is abnormally noisy and vibrates.	<p>A. Release bail handle to turn mower off. Remove safety key. Turn mower on side and check blade to ensure it has not been bent or damaged. If blade is damaged, replace with a replacement blade. If the underside of the deck is damaged return mower to an Authorized service center.</p> <p>B. If there is no visible damage to the blade and the mower still vibrates: Release bail handle to turn mower off, remove safety key and remove blade. Rotate blade 180 degrees and retighten. If mower still vibrates, return the mower to an authorized service center.</p>
6. Battery charger LED's not on.	<p>A. Check plug connection.</p> <p>B. Replace charger.</p>
7. Battery charger LED does not flip to green.	<p>A. Battery needs to be diagnosed. Take to authorized service center.</p>
8. Mower not picking up clippings with the Grass Collection Bag.	<p>A. Remove mulch plate when bagging.</p> <p>B. Chute clogged. Release bail handle to turn mower off. Remove safety key. Clear chute of grass clippings.</p> <p>C. Too much cut grass. Raise cutting height of wheels to shorten length of the cut.</p> <p>D. Bag full. Empty bag more often.</p>
9. When mulching there are clippings visible.	<p>A. Too much cut grass. Raise cutting height of wheels to shorten length of the cut. Do not cut off more than 1/3 of total length.</p> <p>B. Check blade for sharpness. Always keep blade sharp.</p>
10. Low or diminished run-time after many uses	<p>A. Return to Authorized Service location - may need new battery.</p>
11. The battery charger LED flashes red and the battery can't be charged.	<p>A. The battery overheats after continuous use. Remove battery from the charger and allow it to cool to 42 °C or less.</p>

## اكتشاف الأعطال وإصلاحها

المشكلة	الحل
1. لا تعمل ماكينة الجز عند تنشيط المقبض الحلقي	أ. افحص للتأكد من تثبيت مفتاح الأمان واستقراره بشكل كامل مع الضغط على الزر الموجود بمهبط بشكل كامل. ب. حرر المقبض الحلقي لإيقاف ماكينة الجز، وأزل مفتاح الأمان، ثم اقلب الماكينة وتحقق من دوران الشفرة بحرية، وإذا لم يتسن الدوران بحرية، فعليك الرجوع إلى مقدم خدمة صيانة معتمدة. يجب دوران الشفرة بحرية. ج. هل تم شحن البطارية بالكامل؟ وصل الشاحن وانتظر ظهور الضوء الأخضر.
2. يتوقف الموتور أثناء الجز.	أ. حرر المقبض الحلقي لإيقاف ماكينة الجز، وأزل مفتاح الأمان، ثم اقلب الماكينة وتحقق من دوران الشفرة بحرية، وإذا لم يتسن الدوران بحرية، فعليك الرجوع إلى مقدم خدمة صيانة معتمدة. يجب دوران الشفرة بحرية. ب. قم بزيادة ارتفاع القطع بالعجلات إلى أعلى وضع ممكن وابدأ تشغيل ماكينة الجز. ج. هل تم شحن البطارية بالكامل؟ وصل الشاحن وانتظر ظهور الضوء الأخضر. د. تجنب التحميل الزائد على ماكينة الجز، اخفض سرعة القطع من خلال دفع ماكينة الجز بشكل أبطئ أو زيادة ارتفاع القطع أو كلا الأمرين.
3. تعمل ماكينة الجز ولكن أداء القطع غير مقبول أو لا يقطع الأعشاب بالكامل.	أ. هل تم شحن البطارية بالكامل؟ وصل الشاحن وانتظر ظهور الضوء الأخضر. ب. حرر المقبض الحلقي لإيقاف ماكينة الجز، وأزل مفتاح الأمان، اقلب ماكينة الجزء وافحص: مستوى شدة الشفرة - حافظ على الشفرة حادة. افحص السطح وأنبوب التفريغ لاحتمال الانسداد. ج. يمكن ضبط ارتفاع العجلات على ارتفاع منخفض للغاية وفقاً لحالة العشب. قم بزيادة ارتفاع القطع.
4. من الصعب جداً دفع ماكينة الجز	أ. قم بزيادة ارتفاع القطع لخفض سحب السطح على العشب. تحقق من الدوران الحر لكل عجلة.
5. ماكينة الجز تصدر صوت ضوضاء وتهتز بشكل غير طبيعي.	ب. اقلب ماكينة الجز على جانبها وافحص الشفرة لضمان عدم انثنائها أو تلفها. وفي حالة تلف الشفرة، فاستبدلها بشفرة بديلة. في حالة تلف الجزء السفلي من السطح، فينبغي إعادة ماكينة الجز إلى مركز خدمة معتمد. ب. في حالة عدم وجود تلف واضح بالشفرة مع استمرار اهتزاز ماكينة الجز: حرر المقبض الحلقي لإيقاف تشغيل الماكينة وأزل مفتاح الأمان ثم أزل الشفرة. قم بتدوير الشفرة بزواوية 180 درجة وأعد إحكام ربطها. وفي حالة استمرار اهتزاز الماكينة فينبغي حينئذ إعادتها إلى مركز خدمة معتمد.
6. مؤشر LED بشاحن البطارية لا يعمل	أ. تحقق من توصيل المقبض. ب. استبدل الشاحن.
7. لا يتحول مؤشر LED بشاحن البطارية إلى اللون الأخضر.	أ. يتعين فحص البطارية، اذهب بها إلى مركز خدمة معتمد.
8. لا تضع ماكينة الجز قصاصات العشب في كيس تجميع العشب.	أ. أزل لوحة فرش المهاد عند وضع الكيس. ب. الأنبوب مسدود، حرر المقبض الحلقي لإيقاف ماكينة الجز، وأزل مفتاح الأمان. نظف أنبوب قصاصات العشب. ج. ينقطع العشب أكثر من اللازم. قم بزيادة ارتفاع القطع بالعجلات لتقصير طول القطع. د. امتلاء الكيس. قم بتفريغ الكيس بشكل أكثر.
9. تظهر قصاصات عند فرش المهاد.	أ. قطع العشب أكثر من اللازم. قم بزيادة ارتفاع القطع بالعجلات لتقصير طول القطع. لا تقطع العشب بمعدل أكثر من 1/3 طوله الإجمالي. ب. تحقق من شدة الشفرة. حافظ دوماً على أن تكون الشفرة حادة.
10. اخفض أو قلل وقت التشغيل بعد الاستخدامات المتعددة.	أ. ينبغي العودة إلى موقع الخدمة المعتمدة - قد تحتاج إلى بطارية جديدة.
11. يومض مؤشر LED بشاحن البطارية باللون الأحمر ويتعذر شحن البطارية.	أ. تسخن البطارية بعد الاستخدام المستمر. أخرج البطارية من الشاحن واتركها لتبرد حتى 42 درجة مئوية أو أقل.



- 1) يُوصى بجز العشب بشكل متكرر والسير بسرعة طبيعية، مع عدم تشغيل/إيقاف تشغيل ماكينة الجز كثيراً أثناء الاستخدام. يُرجى دوماً استخدام نفس البطاريتين وشحنهما في آن واحد.
- 2) كي يتسنى الحصول على أفضل أداء، يُرجى التأكد من استخدام حزمة بطارية مشحونة بالكامل وقطع معدل الـ 1/3 من ارتفاع العشب أو أقل.
- 3) ينبغي السير ببطء عند قطع العشب الطويل من أجل الحصول على قطع أكثر كثافة وتوزيع العشب المقصود بشكل صحيح.
- 4) تجنب قطع العشب الرطب، حيث سيلتصق بالجانب السفلي من السطح وسيتعذر حينئذ جمع العشب المقصود أو تفريغه بشكل صحيح.
- 5) ينبغي استخدام ارتفاع قطع أعلى للعشب الجديد أو السميك، حيث سيحافظ ذلك على عمر البطارية.

## الصيانة



**تحذير: أوقف ماكينة جز العشب وأزل مفتاح الأمان قبل إزالة كيبس العشب.**

**ملاحظة:** يُعد إجراء الصيانة التالية بانتظام من أجل ضمان خدمة طويلة وموثوقة للماكينة. افحص بحثاً عن عيوب واضحة مثل وجود قفلة بالشفرة أو تنككها أو تلفها، بالإضافة إلى تركيبات سائبة ومكونات بالية أو تالفة. تأكد من عدم تلف جميع الأغذية والأوقية وتثبيتها بشكل صحيح في ماكينة الجز. ينبغي تنفيذ أي إجراءات صيانة أو إصلاح ضرورية قبل تشغيل الماكينة، وفي حالة تعطل الماكينة على الرغم من تنفيذ عمليات الصيانة الدورية، فيُرجى الاتصال بخدمة العملاء للحصول على المشورة.

### شدح الشفرة

حافظ على الشفرة حادة كي يتسنى الحصول على أفضل أداء لماكينة الجز. ارتد معدات حماية مناسبة للعين أثناء إزالة الشفرة وشحذها وتثبيتها، وتأكد من إزالة مفتاح الأمان. عادة ما يكون شدح الشفرة مرتين خلال موسم الجز كافيًا في الظروف العادية، ويمكن أن تتسبب الرمال في إتلاف شدح الشفرة بسرعة، وإذا كانت أعشابك مزروعة في تربة رملية، فقد تحتاج لمزيد من الشدح المتكرر. استبدل أي شفرة مثنية أو تالفة على الفور.

### عند شدح الشفرة:

1. تأكد من بقاء الشفرة متوازنة.
2. قم بشدح الشفرة وفقاً لزاوية القطع الأصلية.
3. قم بشدح حواف القطع على طرفي الشفرة، مع إزالة قدرٍ متساوٍ من المراد من كلا الطرفين.

### ملاحظة:

1. تأكد من إيقاف تشغيل ماكينة الجز وإزالة المفتاح.
2. ضع ماكينة الجز في وضع منتصب أثناء التخزين.

### كي يتسنى شدح الشفرة في ملزمة (انظر الشكل M1)

1. تأكد من تحرير المقبض الحلقى وتوقف الشفرة وإزالة مفتاح الأمان قبل إزالة الشفرة.
2. أزل الشفرة من ماكينة الجز. انظر تعليمات إزالة الشفرة وتثبيتها.
3. قم بتثبيت الشفرة M1-1 في ملزمة M1-2.
4. ارتد نظارات سلامة واحرص على عدم جرح نفسك.
5. قم ببرد حواف القطع بالشفرة بعناية باستخدام مبرد بسنن رفيعة M1-3 أو حجر شدح.
6. تحقق من توازن الشفرة. انظر تعليمات توازن الشفرة.
7. استبدل الشفرة بماكينة الجز وأحكم تثبيتها بأمان. راجع التعليمات التالية.

### توازن الشفرة (انظر الشكل M2)

تحقق من توازن الشفرة من خلال وضع ثقب مركزي في الشفرة M2-1 على ساق مسمار أو مفك M2-2 مثبته بشكل أفقي في ملزمة M2-3. إذا كان أحد طرفي الشفرة يدور نحو الأسفل، فقم ببرد هذا الطرف، وفي حالة عدم انخفاض طرفي الشفرة فهذا يعني توازنها بشكل صحيح.

### صيانة الشفرة (انظر الشكلين N1 و N2)

قم بتجديده شفرتك المعدنية بعد 50 ساعة من الجز أو بعد مرور عامين، أيهما أقرب بغض النظر عن حالتهما. اتبع هذه الإجراءات لإزالة الشفرة واستبدالها، ستحتاج إلى استخدام قفازات حدائق (غير متوفرة) ومفتاح ربط (غير متوفر) لإزالة الشفرة، أمسك الشفرة (19) وفك مسمار الشفرة (18) عكس اتجاه عقارب الساعة باستخدام مفتاح ربط، ثم أزل الشفرة. كي يتسنى إعادة التجميع، ضع الشفرة (19) مع حواف القطع باتجاه الأرض، ثم أحكم ربط مسمار الشفرة بإحكام (18).

### التخزين (انظر الشكلين L1 و L2)

أوقف ماكينة جز العشب وأزل مفتاح الأمان دوماً، ونظف الجزء الخارجي من الماكينة جيداً باستخدام فرشاة ناعمة وقطعة قماش، ولا تستخدم ماء أو مذيبات أو ملمعات. أزل جميع الأعشاب والأوساخ، وخاصة من فتحات التهوية. اقلب الماكينة على جانبها ونظف الجزء الخاص بالشفرة، وفي حالة انضغاط قطع العشب في الجزء الخاص بالشفرة، فينبغي إزالتها باستخدام أداة خشبية أو بلاستيكية. خزن الماكينة في مكان جاف، ولا تضع أشياء أخرى فوقها. للمساعدة في التخزين، قم بتحرير مفتاح المقبض، وطي المقبض العلوي كما هو مبين في الشكلين L1 و L2.




## حماية البيئة

### التخلص من الأداة

ينبغي فرز الأداة وملحقاتها ومواد تغليفها في إطار إعادة التدوير الصديقة للبيئة. توجد علامة على المكونات البلاستيكية لإعادة تدويرها حسب الفئة.



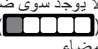
مؤشر طاقة البطارية بالماكينة انظر التفاصيل في جزء حالة البطارية	
مهم عندما يضيء ضوء واحد فقط، فهذا يعني أن إحدى البطاريتين على الأقل قد نفذت وتحتاج إلى شحن حتى وإن كانت ماكينة جز العشب لا تزال وتتمسك لها الجز. وتجدد الإشارة إلى أن الاستمرار في تشغيل ماكينة جزء العشب مع استخدام البطارية في هذه الحالة الفارغة قد يؤدي إلى تقليل عمر البطارية ويؤثر على أدائها. وفي حالة عدم إضاءة أي ضوء، فهذا يعني عدم تركيب إحدى البطاريتين على الأقل بشكل كامل أو أن البطارية قد تكون معيبة، يُرجى التحقق جيداً من استقرار البطاريتين استقراراً كاملاً في مكانهما.	نظر الأشكال F
بدء التشغيل والإيقاف	نظر الأشكال G1 و G2

تحديد مفتاح تقنية Intellicut وضع ECO (الوضع الاقتصادي) حدد وضع ECO (الوضع الاقتصادي) عند إجراء عملية الجز في الظروف العادية اليومية، مع إزالة تقريباً 20 ملم من العشب في المرة الواحدة. وضع TURBO (التربو) اضبط المفتاح على وضع TURBO (التربو) عند قطع أعشاب كثيفة أو ضخمة.	نظر الأشكال H1 و H2
ضبط ارتفاع القطع	نظر الأشكال I
مؤشر امتلاء كيس العشب حالة فارغة: الارتفاع يطفو (أ)  حالة ممتلئة: الارتفاع منخفض للأسفل (ب) 	نظر الأشكال J1
إزالة التفريغ كيس تجميع العشب تحذير! تحقق دائماً من رفرف الأمان وأغلق منفذ التفريغ قبل الاستخدام، ولا ترفع أبداً رفرف الأمان عند استخدام ماكينة جز العشب دون تركيب كيس تجميع العشب.	نظر الأشكال J2
تركيب ملحق فرش المهاد	نظر الأشكال K
التخزين تحذير: أزل البطارية دوماً ومفتاح الأمان عند قلب الجهاز لتخزينه. 	نظر الأشكال L1 و L2

### حالة البطارية (نظر الشكل F)

اضغط على الزر الموجود بجانب ضوء مؤشر الطاقة بالماكينة قبل بدء التشغيل أو بعد الاستخدام للتحقق من سعة البطارية. سيتم الإشارة إلى سعة البطارية لتلقائياً من خلال مؤشر طاقة البطارية أثناء التشغيل. يستشعر المؤشر حالة البطارية ويعرضها باستمرار على النحو التالي، بالنسبة للماكينة التي تحتوي على حزم من بطاريتين بمستويات طاقة مختلفة، يعرض ضوء مؤشر الطاقة حالة البطارية وفقاً للبطارية الأقل.

حالة مؤشر طاقة البطارية	حالة البطارية
 خمسة أضواء خضراء مضاءة.	مستوى شحن البطاريتين مرتفع.

لا يزال هناك شحن بالبطاريتين، كلما ازداد عدد الأضواء، كانت سعة البطارية أكبر.	أثنان أو ثلاثة أو أربعة أضواء مضاءة.
تم استنفاد بطارية واحدة على الأقل ويجب شحنها.	لا يوجد سوى ضوء واحد أخضر  مضاء.
توجد بطارية واحدة على الأقل غير مثبتة بشكل كامل أو ربما تكون البطارية معيبة.	لا توجد أضواء مضاءة.
ثمة بطارية واحدة على الأقل فارغة (يُرجى الرجوع إلى حالة شحن البطارية)، يُرجى إعادة شحن البطاريتين قبل الاستخدام مرة أخرى أو التخزين.	يوميض ضوء واحد فقط مرتين في كل دورة.
توجد بطارية واحدة على الأقل ساخنة، انتظر حتى تبرد قبل بدء تشغيل الماكينة مرة أخرى.	يوميض ضوء واحد فقط ثلاث مرات في كل دورة.
ثمة حمل زائد بالماكينة، قم بزيادة ارتفاع القطع أو ادفع الماكينة ببطء.	يوميض ضوء واحد فقط أربع مرات في كل دورة.

### نصائح لعلمية الجز

**ملاحظة:** أجبأ وقضبان وأسلاك ومعادن وغيرها من القادورات التي قد تتدفقها شفرة التندوير.

1. يندبغى الجز على سطح المنحدرات، وعدم الارتفاع والانخفاض أبداً، وينبغى توج الحذر الشديد عند تغيير الاتجاه على المنحدرات، وعدم القيام بعملية الجز على المنحدرات شديدة الانحدار، مع ضرورة الحفاظ على ثبات القدمين.
2. حرر المقيض الحلقي لإيقاف تشغيل ماكينة الجز عند المرور بأى منطقة مغطاة بالحصى (يمكن أن تتدفق الشفرة الحصى).
3. اضبط ماكينة الجز على أعلى مستوى لارتفاع القطع عند القيام بعملية الجز في أرض وعرة أو لأعشاب طويلة، يمكن أن يؤدي إزالة الكثير من العشب مرة واحدة إلى تعطل قاطع الدائرة، مما يتسبب في إيقاف ماكينة جز العشب.
4. في حالة استخدام كيس عشب أثناء موسم النمو السريع، فيمكن أن يسد العشب فتحة التفريغ، وينبغى حينئذ تحرير المقيض الحلقي لإيقاف تشغيل ماكينة الجز وإزالة مفتاح الأمان. أزل كيس العشب وقم بهز المقيض الحلقي أسفل الكيس، وقم أيضاً بتنظيف أي عشب أو أوساخ يمكن أن تتكدس حول فتحة التفريغ. استبدل كيس تجميع العشب.
5. في حالة بدء ماكينة الجز في الاهتزاز بشكل غير طبيعي، فقم بتحرير المقيض الحلقي لإيقاف تشغيل ماكينة الجز وإزالة مفتاح الأمان، وينبغى عليك التحقق علي الفور من السبب، حيث إن هذا الاهتزاز هو تحذير يحدث مشكلة. لا تشغل الماكينة في هذه الحالة حتى إجراء فحص خدمة لها.
6. يجب دوماً تحرير المقيض الحلقي لإيقاف تشغيل ماكينة الجز وإزالة مفتاح الأمان عند ترك الماكينة حتى ولو لمدة قصيرة.

### مساحة القطع

يمكن أن تتأثر مساحة القطع بعدة عوامل، مثل ارتفاع القطع ورطوبة العشب وطوله وكثافته، وبالإضافة إلى ذلك فإن تشغيل ماكينة الجز وإيقاف تشغيلها عدة مرات أثناء الاستخدام سيقلل من مساحة القطع. يوضح الجدول التالي العلاقة بين حالات القطع ومساحة القطع.

ارتفاع القطع	مساحة القطع (الحد الأقصى)
قطع 8 سم إلى 6 سم	2* 20V / 4.0Ah مجموعة البطاريات
	على لصني *500 m <sup>2</sup>

\* تُستخدَم مع حزم البطاريات المشحونة بالكامل.

نصائح:

## تعليمات التشغيل

ملاحظة: اقرأ كُتَيْب التعليمات بعناية قبل استخدام الأداة.



الغرض من الاستخدام

هذا المنتج مخصص لأغراض جز العشب المنزلي فقط.

## التجميع والتشغيل

الإجراء	الشكل
	التجميع
A2 و A1 و A3 و A4 و A5	تركيب ذراع التوجيه ملاحظة: اختر أحد الفتحتين في المقبض السفلي حسب ارتفاع المقبض المفضل.
B2 و B1 و B3 و B4	تركيب كيس تجميع العشب
نظر الأشكال C1 و C2 و C3	تركيب كيس تجميع العشب بماكينته جز العشب ملحوظة: أخرج ملحق فرش المهاده من ماكينة جز العشب قبل تركيب كيس تجميع العشب. ملاحظة: اضغط على كِيس تجميع العشب قليلاً للتأكد من تثبيته بشكل كامل.
D1	التحقق من حالة شحن البطارية ملاحظة: لا ينطبق الشكل D1 إلا على حزمة البطارية المزودة بضوء مؤشر البطارية.
نظر الأشكال D2	شحن حزمة البطارية ملاحظة: يتم بيع البطاريات دون شحن، ومن ثم يجب شحن أي بطارية بشكل كامل قبل عملية الجز الأولى. اشحن البطاريتين بالكامل دوماً في نفس الوقت، يمكن الاطلاع على مزيد من التفاصيل في دليل الشاحن.
نظر الأشكال E	تركيب/إزالة البطارية ملاحظة: • لن تعمل الماكينة إلا إذا تم تركيب بطاريتين بها، يُرجى استخدام بطاريتين بنفس السعة دائماً مع شحنهما بالكامل. • عند استخدام بطاريتين بقوة مختلفة، فلن تعمل الماكينة إلا وفقاً للقوة الأقل المشتركة.
	التشغيل



قطر القطع	40 cm
قطر العجلة الأمامية	180 mm
قطر العجلة الخلفية	190 mm
ارتفاع القطع	20 mm-80 mm
وضاح ارتفاع القطع	7
سعة تجميع العشب	45 L
نوع البطارية	ليثيوم ايون
طراز البطارية	WA3553 (4.0 Ah)
طراز الشاحن	WA3883
تصنيف الشاحن	دخل: 100-240V~50-60Hz خرج 1 20V $\equiv$ , 2.0A*** خرج 2 20V $\equiv$ , 2.0A***
مدة الشحن (تقريباً) مجموعة البطاريات 2.0Ah (قطعة واحدة) 2.0Ah (قطعتان) 4.0Ah (قطعة واحدة) 4.0Ah (قطعتان)	0.5hr 1hr 1hr 2hrs
لوزن	13.9 kg 15.2 kg

\*\*يُقاس الجهد دون حمل العمل. يصل الجهد الأولي للبطارية إلى 20 فولت بحد أقصى. الجهد الاسمي يساوي 18 فولت.  
\*\*\*خرج الشاحن 1 والخروج 2 هما منفذان بنفس مستوى التيار والجهد للخرج.

## الملحقات

WG743E.9	WG743E	
/	2	مجموعة البطاريات (WA3553)
/	1	شاحن (WA3883)
1		كيس تجميع العشب
1		ملحق فرش المهاده
2		مشبك الكابل
4		مفتاح المقبض

نوصي بشراء الملحقات من نفس المتجر الذي اشتريته منه الأداة. يرجى الرجوع إلى عُلْب الملحقات لمعرفة المزيد من التفاصيل. يمكن للعاملين في المتجر مساعدتك وتقديم التصانح لك.

تستمر الشفرة في الدوران بعد إيقاف تشغيل الماكينة، انتظر حتى تتوقف جميع مكونات الماكينة تمامًا قبل لمسها.	
أزل المفتاح	

- النوع في أداة واحدة.
- (u) لا تزل مجموعة البطاريات من علبتها عند عدم الحاجة إلى استخدامها.
- (v) لاحظ أماكن علامتي (+) و(-) على البطارية وتأكد من تركيبها بشكل صحيح.

## الرموز

اقرأ دليل التعليمات قبل تشغيل هذا الجهاز	
أبعد المارة عن الماكينة.	
كن حذرًا من الشفرات الحادة، حيث تستمر تلك الشفرات في الدوران بعد إيقاف تشغيل موتور الماكينة - أزل جهاز التعطيل قبل الصيانة	
قد تصل البطاريات إلى شبكة المياه حال التخلص منها بشكل غير ملائم، الأمر الذي من شأنه أن يسبب مشكلات للبيئة. لا تتخلص من البطاريات مع النفايات المنزلية العادية.	
يحظر حرق البطاريات.	
تأتي بطارية ليثيوم-أيون مزودةً بملصق يُشير إلى أن كل مجموعة من البطاريات تُعد "مجموعة منفصلة". ومن ثمّ سيجري إعادة تدويرها أو تفكيكها لتقليل الأثر البيئي الناجم. قد تشكل مجموعات البطاريات مصدر خطر على البيئة وصحة الإنسان لاحتوائها على موادّ تسبب المخاطر.	
ارتد قفازات الحماية.	
أزل البطارية من مصدر الطاقة قبل إجراء أي تعديلات، أو استخدامات أو عمليات صيانة.	

## قائمة المكونات

1.	مفتاح الأمان
2.	المقبض الحلقي
3.	مشبك الكابل
4.	المقبض العلوي
5.	المقبض السفلي
6.	مؤشر طاقة البطارية
7.	غطاء حزمة البطارية
8.	مفتاح ضبط ارتفاع القطع
9.	مقبض الحمل
10.	مفتاح المقبض، السفلي
11.	رفرف الأمان
12.	كيس تجميع العشب
13.	مقبض الكيس
14.	مؤشر كيس العشب
15.	مفتاح المقبض، العلوي
16.	ملحق فرش المهاد
17.	حزمة البطارية* (انظر الشكل E)
18.	مسمار الشفرة (انظر الشكل N1)
19.	الشفرة (انظر الشكل N1)
20.	مفتاح تقنية Intellicut

\* قد لا تتوفر جميع الملحقات الموضحة أو الموصوفة في الأداة القياسية.

## البيانات الفنية

WG743E.9	WG743E	
40 فولت	الحد الأقصى (2x20) الحد الأقصى فولت)**	الجهة
2800 / 3000 /min		لا توجد سرعة للأحمال
43 cm		قطر السطح

## سلامة المنتج

# تحذيرات السلامة العامة الخاصة بالأداة الكهربائية



تحذير: اقرأ التحذيرات، والتعليمات، والأشكال الإيضاحية، والموصفات المرفقة مع هذه الأداة الكهربائية. قد يؤدي عدم اتباع التعليمات التالية إلى التعرض للصدع الكهربائي، أو اندلاع حريق، أو

التعرض لإصابة خطيرة.

ينبغي قراءة التعليمات بعناية لضمان التشغيل الآمن للماكينة.

احفظ جميع التحذيرات والتعليمات للرجوع إليها لاحقاً.

- هذه الأداة غير مصممة للاستخدام من قِبل الأشخاص (بما فيهم الأطفال) الذين يعانون من ضعف في القدرات الجسدية أو الحسية أو العقلية، أو الذين تنقصهم الخبرة والمعرفة، ويجب أن يكون استخدامهم له في وجود إشراف أو توجيهات من قِبل شخص مسؤول عن سلامتهم.
- يجب مراقبة الأطفال لضمان عدم عبثهم بالأداة.
- لا تستخدم الأداة إلا مع وحدة الإمداد بالطاقة المتوفرة معه.

## التدريب

(أ) ينبغي قراءة التعليمات بعناية، والتعرف على الضوابط والاستخدام الصحيح للماكينة؛

(ب) لا تسمح للأطفال أو الأشخاص الذين لا يتمتعون بالمعرفة الكافية بهذه التعليمات استخدام ماكينة جز العشب، ويمكن أن يخضع العمر المناسب لمشغل الماكينة لقواعد الواجب المحلي؛

(ج) لا تقم بعملية الجز أبداً عند وجود أشخاص، ولا سيما الأطفال، أو حيوانات الأليفة في مكان قريب؛

(د) ينبغي الوضع في الاعتبار أن مشغل الماكينة أو مستخدمها هو المسؤول عن أي حوادث أو مخاطر تحدث للأشخاص الآخرين أو ممتلكاتهم.

## التجهيز

(أ) ينبغي ارتداء أحذية كبيرة وسراويل طويلة دوماً أثناء القيام بعملية الجز، وعدم تشغيل الجهاز حافي القدمين أو عند ارتداء صنادل مفتوحة؛

(ب) افحص المنطقة التي سيجري استخدام الماكينة فيها بدقة وقم بإزالة أي أشياء يمكن أن تفتتها الماكينة؛

(ج) قم بإجراء فحص بصري دوماً قبل الاستخدام للتحقق من أن الشفرات ومسامير الشفرات ومجموعة القاطع ليست بالية أو تالفة، مع ضرورة استبدال الشفرات والمسامير البالية أو التالفة كمجموعات للحفاظ على التوازن؛

(د) كن حذراً عند استخدام الماكينات متعددة الشفرات حيث يمكن أن تتسبب الشفرة الدوارة في دوران الشفرات الأخرى.

## التشغيل

(أ) لا تقم بالجز إلا خلال وقت النهار أو عند توفر إضاءة صناعية جيدة؛

(ب) تجذب تشغيل الماكينة على عشب رطب حيثما أمكن ذلك؛

(ج) تأكد دوماً من ثبات قدميك على المنحدرات؛

(د) عليك بالعشب، وعدم الركض أبداً؛

(هـ) بالنسبة للماكينات الدوارة المزودة بعجلات، فعليك إجراء الجز على سطح المنحدرات، دون ارتفاع وانخفاض؛

(و) توخ الحذر الشديد عند تغيير الاتجاه على المنحدرات؛

(ز) لا تقم بالجز على المنحدرات شديدة الانحدار؛

(ح) توخ الحذر الشديد عند إرجاع ماكينة جز العشب للخلف أو سحبها تجاهك؛

(ط) قم بإيقاف الشفرة (الشفرات) إذا تعين إزالة ماكينة جز العشب لنقلها عند المرور بأسطح غير عشبية وعند نقلها من المنطقة المراد جزها

وبالبيت؛

(ي) لا تقم بتشغيل ماكينة جز العشب مطلقاً مع وجود أوقية معيبة أو دون أجهزة أمان على سبيل المثال الحافرات وأو مساكات العشب؛

(ك) قم بتشغيل المحرك بعناية وفقاً للتعليمات مع ضرورة الابتعاد مسافة

قدم عن الشفرة (الشفرات)؛

(ل) لا تقم بإمالة ماكينة جز العشب عند تشغيل المحرك إلا إذا تعين

إمالتها لبده التشغيل، وفي هذه الحالة لا تقم بإمالتها أكثر من

(م) الضروري ولا ترفع سوى الجزء البعيد عن المشغل؛

لا تضع الجدين أو القدمين بالقرب من الأجزاء الدوارة أو أسفل منها، مع ضرورة الابتعاد عن فتحة التفريغ في كافة الأوقات؛

(ن) لا ترفع ماكينة جز العشب أو تحملها أبداً أثناء تشغيل المحرك؛

(س) لا تلمس الشفرات قبل إزالة جهاز التعطيل وتوقف الشفرات تماماً؛

(ع) قم بإزالة جهاز التعطيل

كلمما تركت الماكينة؛

– قبل إزالة أي عائق؛

– قبل فحص الماكينة أو تنظيفها أو العمل بها؛

– بعد الاصطدام بجسم غريب، وافحص ماكينة جز العشب بحثاً عن أي

تلف واقتطع الشفرات قبل إجراء الصليحات عند الضرورة؛

– إذا بدأت ماكينة جز العشب في الاهتزاز بشكل غير طبيعي (افحصها على الفور)؛

## الصيانة والتخزين

(أ) احكم ربط جميع الصواميل والمسامير والبراغي للتأكد من أن

الماكينة في حالة عمل آمنة؛

(ب) افحص ماسك المشب بشكل متكرر بحثاً عن أي بلى أو تلف؛

(ج) استبدل الأجزاء البالية أو التالفة مراعاةً للسلامة؛

(د) تأكد من استخدام وسائل قطع بديلة من النوع الصحيح فقط؛

## حذيرات السلامة لمجموعة البطارية

(a) يحظر فك مجموعة البطارية، أو فتحها، أو تمزيقها

(b) لا تعرض البطارية لقصر الدائرة الكهربائية. لا تخزن البطاريات

في مكان تخزين عشوائي مثل صندوق أو درج ما، فمن المحتمل

أن تعرض البطاريات لقصر دائرة كهربائية بتأثير بعضها على

بعض أو بتأثير الموصلات الأخرى. (ج) في حال عدم استخدام

مجموعة البطاريات احتفظ بها بعيداً عن الأجسام المعدنية الأخرى،

مثل: مشابك الأوراق، والعملات المعدنية، والمفاتيح، والمسامير،

والبراغي، وغيرها من الأجسام المعدنية الصغيرة التي يمكن أن تمثل

وصلة من طرف إلى آخر. قد يؤدي حدوث قصر في أطراف البطارية

إلى حدوث حرق أو اندلاع حريق.

(c) لا تعرض حزم البطارية للحرق أو النار. تجنب تخزين البطارية

في ضوء الشمس المباشر

(d) لا تعرض البطاريات للصدمة الميكانيكية.

(e) في حال وجود تسرب في البطارية احرص على عدم ملامسة

الأسنان المنسكب منها للجلد أو العينين. وإذا حدث هذا فاقضل

المنطقة المتضررة بالكثير من الماء وحرص على استشارة طبيب.

استشر الطبيب في الحال إذا ما بلعت خلية أو مجموعة بطاريات.

(f) حافظ على نظافة مجموعات البطاريات وجفافها.

(g) امسح قطبي البطارية بقطعة قماش جافة عند اتساخها.

(h) يجب إعادة شحن مجموعة البطاريات قبل استخدامها. يرجى

الرجوع إلى هذا الدليل دائماً واتباع إجراءات الشحن الصحيحة.

(i) لا تترك مجموعة البطاريات في الشحن أثناء عدم استخدامها.

(j) بعد التخزين لفترات طويلة، قد يكون من الضروري شحن

البطاريات وتفرغها عدة مرات للحصول على أفضل أداء

(l) تقدم مجموعة البطاريات أفضل أداء لها عند العمل في درجة حرارة

الحرارة الطوبى (20 مئوية ± 5 مئوية).

(m) عند التخلص من مجموعات البطاريات أفضل البطاريات ذات

الأنظمة الكهروكيميائية عن بعضها.

(n) أعد شحنها باستخدام الشاحن المحدد من قِبل وركس فقط، لا

تستخدم أي شاحن سوى الشاحن المجهز خصيصاً للأداة؛ وقد ينتج

عن الشاحن المناسب لنوع واحد من مجموعات البطاريات مخاطر

اندلاع حريق عند استخدامه مع مجموعة بطاريات أخرى.

(o) لا تستخدم أي مجموعة بطاريات سوى المُقدمة خصيصاً مع الأداة.

(p) احتفظ بمجموعة البطاريات بعيداً عن متناول الأطفال.

(q) احتفظ بالمجموعات المرفقة مع المنتج؛ للرجوع إليها مستقبلاً.

(r) يُرجى إزالة البطارية من مكانها عندما لا تكون قيد الاستخدام.

(s) تتخلص من البطارية بشكل سليم

(t) لا تخلط بين الخلايا المختلفة الصنع، أو السعة، أو الحجم، أو

—  
—



**WORX**  
**it's your nature**

**[www.worx.com](http://www.worx.com)**

Copyright © 2020 Positec. All Rights Reserved.  
AR01526100